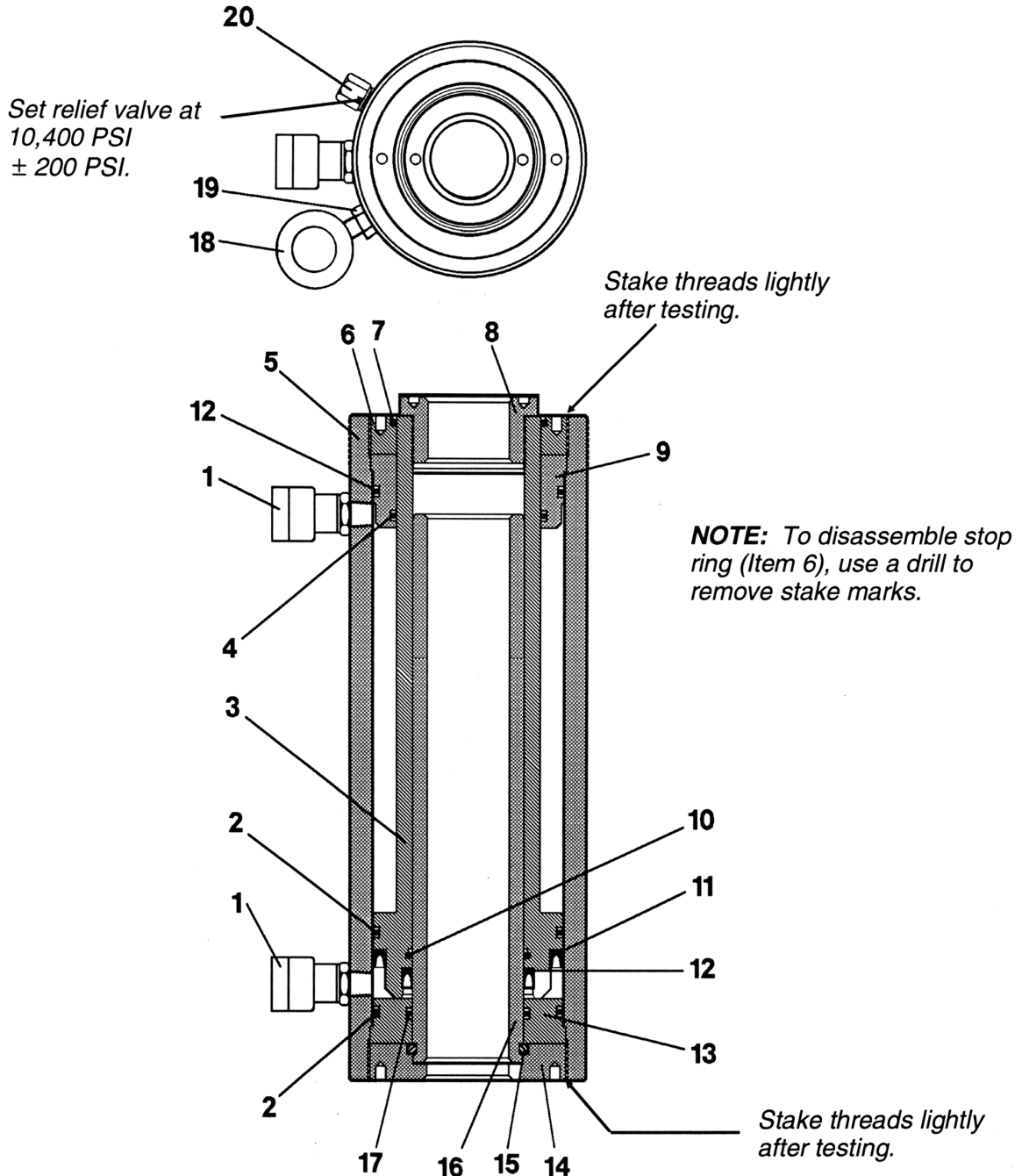


**To Protect Your Warranty, Use Only ENERPAC Hydraulic Oil.**

Enerpac recommends that all kit components be installed to insure optimum performance of the repaired product.



**Double-Acting, Hollow Plunger Hydraulic Cylinders**

**Repair Parts List**

<b>Item</b>	<b>Model RRH-6010</b>	<b>Model RRH-10010</b>	<b>Qty.</b>	<b>Description</b>
1	CR-400	CR-400	1	Coupler Half
2	★	★	3	G-T Ring
3	CJ159040	CJ172040	1	Plunger
4	★	★	1	G-T Ring
5	CJ132030	CJ166030	1	Cylinder
6	CJ119044	CJ133044	1	Stop Ring
7	★	★	1	Wiper Ring
8	CJ136045	CJ138045	1	Saddle
9	CJ137044	CJ135044	1	Internal Stop Ring
10	CJ141044	F555044	1	Wiper Ring
11	★	★	1	U-Cup
12	★	★	1	U-Cup
13	CJ120044	CJ134044	1	Internal End Ring
14	CJ122044	CJ131044	1	End Ring
15	CJ114044	CJ123044	1	Split Ring
16	CJ116013	CJ125013	1	Plunger Guide
17	★	★	1	G-T Ring
18	CJ409242	CM579242	2	Eye Bolt
19	B1009123	B1013120	2	Jam Nut
20	CJ160900W	CJ160900W	1	Relief Valve

★ Items included in and available only as part of Repair Kit RRH6010K and RRH10010K.



[www.enerpac.com](http://www.enerpac.com)