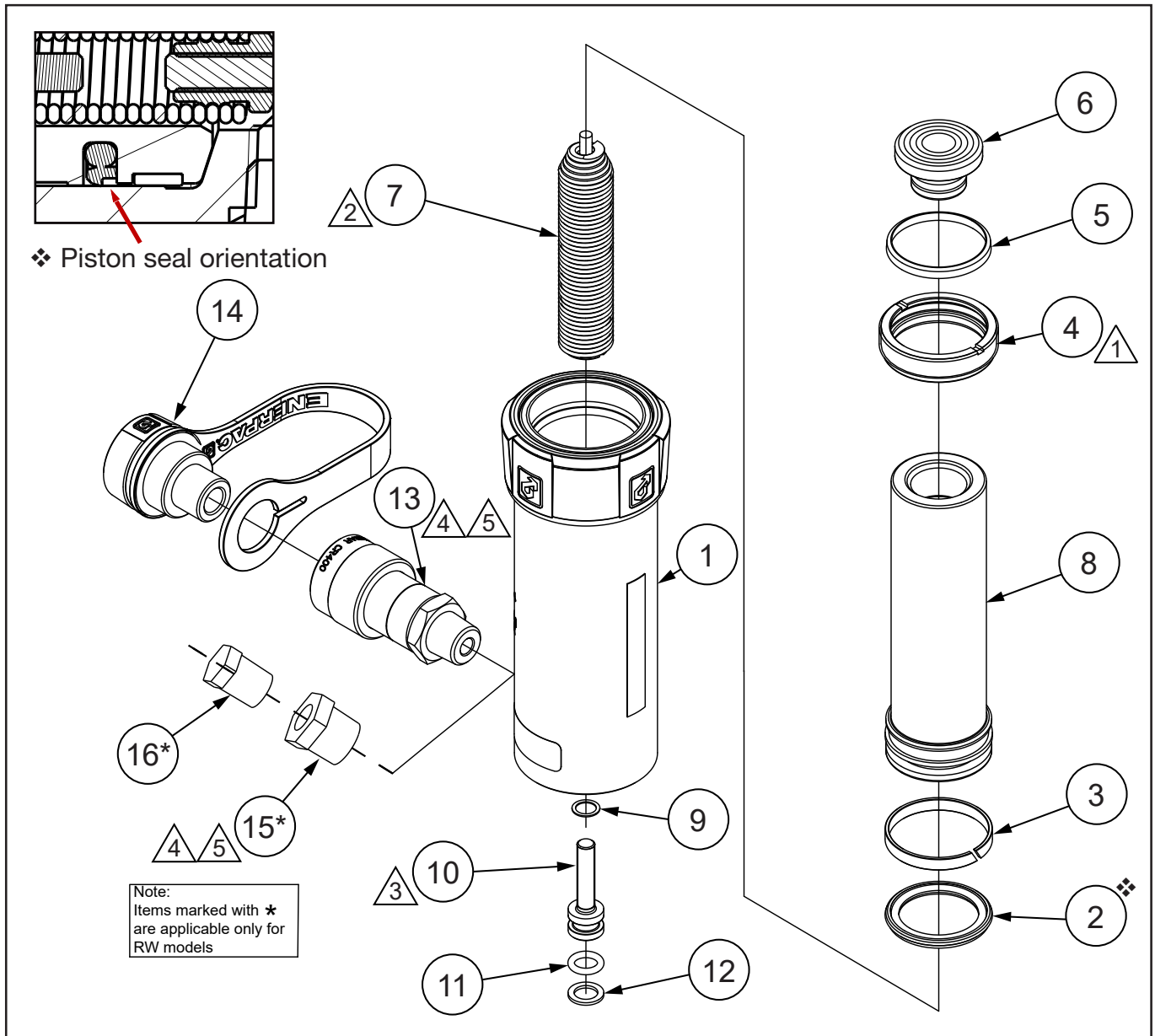


Repair Parts Sheet

RC10 & RW10 Series Hydraulic Cylinders
 RC101, RC102 & RC104
 RW101, RW102, RW104 & RW106

Document Number	Revision	Revision Date	Product Date Code
L4283	Rev. E	06/2023	RC model F RW model E



(Δ) Notes	
Item	Torque / notes
1	Secure with Loctite 222 and torque to 70-90 in-lbs [7.9-10.2 Nm]
2	Torque to 48-60 in-lbs [5.4-6.8 Nm]
3	Torque to 90-110 in-lbs [10.2-12.4 Nm]
4	Torque to 40-60 ft-lbs [54-81 Nm]
5	Apply Loctite 545 or teflon tape

**Note: See Page 2
for parts list.**

Repair Parts List, Figure 1

Item	Description	Qty	Part Number							
			RC101	RC102	RC104	RW101	RW102	RW104	RW106	
1	Base	1	N/A							
2	Piston seal	1	▲●							
3	Wear band, plunger	1	▲★							
4	Stop ring	1	RC10044							
5	Wiper	1	▲✘							
6	Saddle assembly	1	N/A	A102G			N/A	A102G		
7	Spring assembly	1	RC10K31	RC10K31	RC10K32	RC10K31	RC10K31	RC10K32	RC10K33	
8	Plunger	1	RC101040	RC102040	RC104040	RC101040	RC102040	RC101040	RC102040	
9	Copper gasket	1	▲■							
10	Screw, socket head	1	▲■							
11	O-ring	1	▲■							
12	Backup, split	1	▲■							
13	Coupler	1	CR400			N/A				
14	Dust cap	1	CD411			N/A				
15	Reducer bushing	1	N/A			CJ657032				
16	Pipe plug	1	N/A			A8069006				
N/S	O-ring, coupler	1	▲							
N/S	Enerpac decal	1	▲							
N/S	Warning decal	1	▲							
N/S	O-ring, saddle	1	N/A	▲		N/A	▲			
N/S	Thread protector	1	▲							

Notes:

- ▲ Indicated item included in and available as a part of the Repair Kit RC10NK0⁽¹⁾
- Indicated item included in and available as a part of the Spring Assembly
- Indicated item included in and available as packs of 10 units in Seal Kit RC10NKS (see below)
- ★ Indicated item included in and available as packs of 10 units in Wear Band Kit Plunger RC10NKB1 (see below)
- ✘ Indicated item included in and available as packs of 10 units in Wiper Kit RC10NKW (see below)

●★✘ Kits only available in America

⁽¹⁾ Viton® seals are available in the RC10NK0V seal kit. Viton® equipped coupler CR400V can also be ordered separately for a complete conversion.