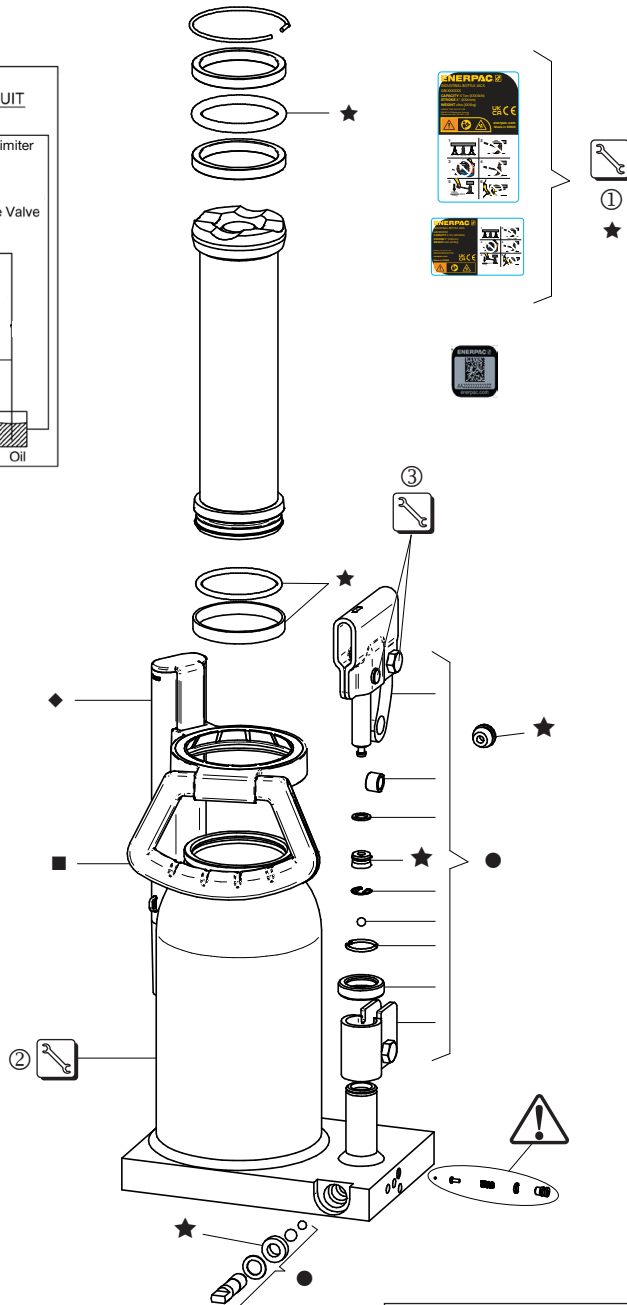
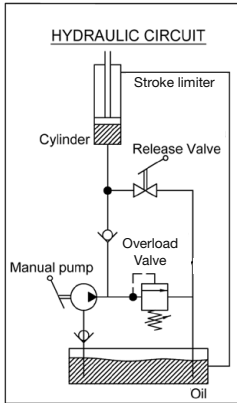


Repair Parts Sheet	Revision	Revision Date	Product Date Code Beginning With
L4274	Rev. E	07/2022	A



Note: This repair parts sheet is applicable to the following GBJ-Series bottle jacks:

MODEL	CAPACITY SHORT TON [kN]
• GBJ002A2.2-Ton [19.6 kN]
• GBJ002LA2.2-Ton [19.6 kN]
• GBJ003A3.3-Ton [29.4 kN]
• GBJ005A5.5-Ton [49.1 kN]
• GBJ008A8.8-Ton [78.5 kN]
• GBJ010A11.0-Ton [98.1 kN]
• GBJ010SA11.0-Ton [98.1 kN]
• GBJ015A16.5-Ton [147.2 kN]
• GBJ020A22.0-Ton [196.2 kN]
• GBJ020SA22.0-Ton [196.2 kN]
• GBJ030A33.1-Ton [294.3 kN]
• GBJ050A55.1-Ton [490.5 kN]
• GBJ100110.2-Ton [981.0 kN]

Item included in:

- ★ Seal Kit
- Pump/Release Valve Kit
- ◆ Pump Handle Kit
- Carry Handle Kit

SEE PAGE 2 FOR KIT PART NUMBERS



SEE PAGE 2 FOR
SERVICE NOTES

Notes:

- Jack components are available only in kits and are not sold separately.
- Items not identified in graphic are NOT AVAILABLE for purchase.



WARNING: DO NOT adjust the emergency relief valve setting. If required, adjustments should be made ONLY by an Enerpac authorized service center.

Repair Parts List - Models GBJ002A through GBJ10SA								
Item	Model Number							Description
	GBJ002A	GBJ002LA	GBJ003A	GBJ005A	GBJ008A	GBJ010A	GBJ010SA	
★	GBJK2A	GBJK5A	GBJK3A	GBJK5A	GBJK8A	GBJK10A	GBJK10A	Seal Kit
●	GBJK1A	GBJK1A	GBJK1A	GBJK1A	GBJK1A	GBJK1A	GBJK1A	Pump/Release Valve Kit
◆	RHA550	RHA550	RHA550	RHA550	RHA550	RHA550	RHA550	Pump Handle Kit
■	N/A	N/A	N/A	N/A	N/A	N/A	N/A	Carry Handle Kit

Repair Parts List - Models GBJ015A through GBJ100							
Item	Model Number						Descriptions
	GBJ015A	GBJ020A	GBJ020SA	GBJ030A	GBJ050A	GBJ100	
★	GBJK15A	GBJK20A	GBJK20A	GBJK30A	GBJK50A	GBJK100S	Seal Kit
●	GBJK1A	GBJK1A	GBJK1A	GBJK1A	GBJK1A	GBJK100	Pump/Release Valve Kit
◆	RHA550	RHA550	RHA550	RHA550	RHA550	RH100	Pump Handle Kit
■	N/A	RHA20	RHA20	RHA30	RHA50	N/A	Carry Handle Kit

Note: See graphic on page 1 for service item locations.																													
Service Item	Action / Comment																												
①	<p>All models: Replace decal if worn or unreadable.</p> <p>Kits GBJK5A, GBJK10A, GBJK20A contain two decals. Be sure to use the correct decal for your jack model.</p>																												
②	<p>Important:</p> <ul style="list-style-type: none"> • Be sure ram is fully retracted before checking oil level or adding additional oil. • Use only Enerpac HF Series hydraulic oil. • Jack hydraulic reservoir is full when oil level is up to - but not above - the oil fill hole. <p>Do not overfill!</p> <table border="0"> <tr> <td>MODEL</td> <td>APPROXIMATE OIL CAPACITY*</td> </tr> <tr> <td>GBJ002A</td> <td>3.04 oz [90 cc]</td> </tr> <tr> <td>GBJ002LA</td> <td>5.41 oz [160 cc]</td> </tr> <tr> <td>GBJ003A</td> <td>3.04 oz [90 cc]</td> </tr> <tr> <td>GBJ005A</td> <td>5.41 oz [160 cc]</td> </tr> <tr> <td>GBJ008A</td> <td>9.29 oz [275 cc]</td> </tr> <tr> <td>GBJ010A</td> <td>9.29 oz [275 cc]</td> </tr> <tr> <td>GBJ010SA</td> <td>5.75 oz [170 cc]</td> </tr> <tr> <td>GBJ015A</td> <td>13.86 oz [410 cc]</td> </tr> <tr> <td>GBJ020A</td> <td>17.75 oz [525 cc]</td> </tr> <tr> <td>GBJ020SA</td> <td>13.52 oz [400 cc]</td> </tr> <tr> <td>GBJ030A</td> <td>27.05 oz [800 cc]</td> </tr> <tr> <td>GBJ050A</td> <td>39.9 oz [1180 cc]</td> </tr> <tr> <td>GBJ100.....</td> <td>111.59 oz [3300 cc]</td> </tr> </table> <p>*With reservoir completely drained and ram fully retracted.</p>	MODEL	APPROXIMATE OIL CAPACITY*	GBJ002A	3.04 oz [90 cc]	GBJ002LA	5.41 oz [160 cc]	GBJ003A	3.04 oz [90 cc]	GBJ005A	5.41 oz [160 cc]	GBJ008A	9.29 oz [275 cc]	GBJ010A	9.29 oz [275 cc]	GBJ010SA	5.75 oz [170 cc]	GBJ015A	13.86 oz [410 cc]	GBJ020A	17.75 oz [525 cc]	GBJ020SA	13.52 oz [400 cc]	GBJ030A	27.05 oz [800 cc]	GBJ050A	39.9 oz [1180 cc]	GBJ100.....	111.59 oz [3300 cc]
MODEL	APPROXIMATE OIL CAPACITY*																												
GBJ002A	3.04 oz [90 cc]																												
GBJ002LA	5.41 oz [160 cc]																												
GBJ003A	3.04 oz [90 cc]																												
GBJ005A	5.41 oz [160 cc]																												
GBJ008A	9.29 oz [275 cc]																												
GBJ010A	9.29 oz [275 cc]																												
GBJ010SA	5.75 oz [170 cc]																												
GBJ015A	13.86 oz [410 cc]																												
GBJ020A	17.75 oz [525 cc]																												
GBJ020SA	13.52 oz [400 cc]																												
GBJ030A	27.05 oz [800 cc]																												
GBJ050A	39.9 oz [1180 cc]																												
GBJ100.....	111.59 oz [3300 cc]																												
③	Apply lubricating oil to pins and linkage.																												