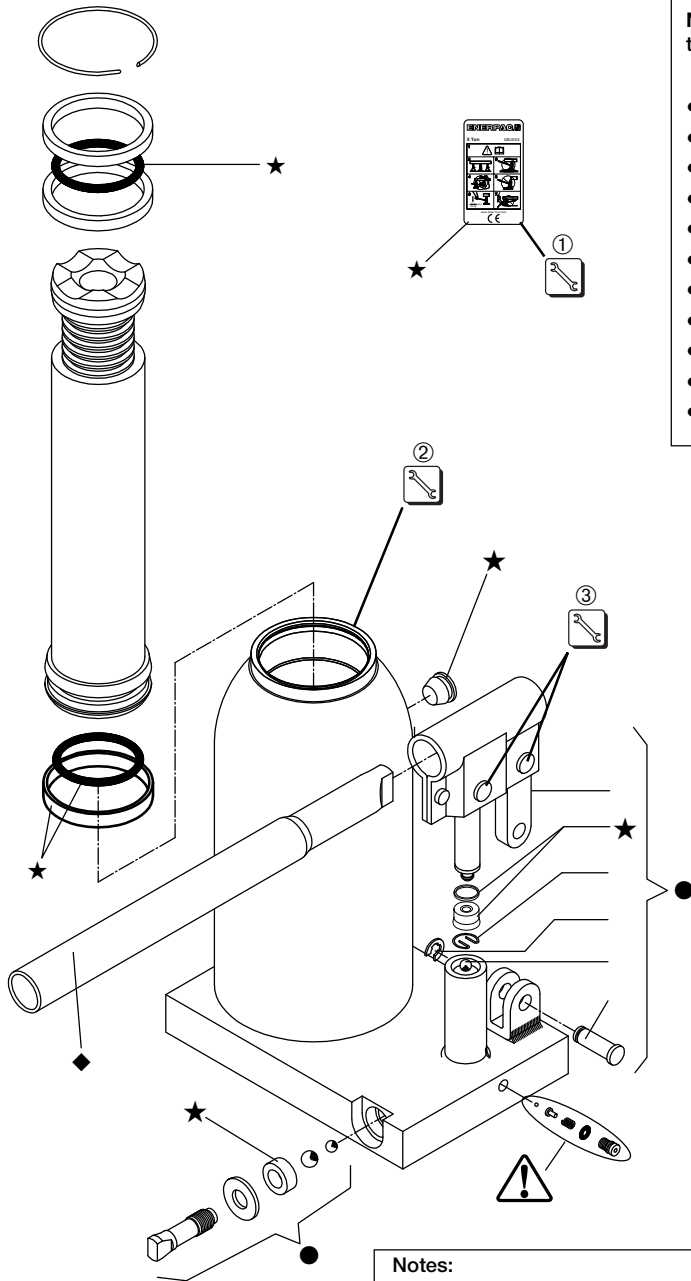


<b>Repair Parts Sheet</b>	<b>Revision</b>	<b>Revision Date</b>	<b>Date Code</b>
L4001	Rev. B	02/2013	AXXXXMG



**Note:** This repair parts sheet is applicable to the following GBJ Series bottle jacks:

MODEL	CAPACITY
• GBJ-002	2-Ton [19.6 kN]
• GBJ-003	3-Ton [39.4 kN]
• GBJ-005	5-Ton [49 kN]
• GBJ-008	8-Ton [74 kN]
• GBJ-010	10-Ton [98 kN]
• GBJ-010S	10-Ton [98 kN]
• GBJ-015	15-Ton [147 kN]
• GBJ-020	20-Ton [196 kN]
• GBJ-020S	20-Ton [196 kN]
• GBJ-030	30-Ton [294 kN]
• GBJ-050	50-Ton [490 kN]

Item included in:

- ★ Seal Kit
- Pump/Release Valve Kit
- ◆ Handle Kit

SEE PAGE 2 FOR KIT PART NUMBERS



SEE PAGE 2 FOR SERVICE NOTES

**Notes:**

- Jack components are available only in kits and are not sold separately.
- Items not identified in graphic are NOT AVAILABLE for purchase.



**WARNING:** DO NOT adjust the emergency relief valve setting. If required, adjustments should be made ONLY by an Enerpac authorized service center.

Repair Parts List - Models GBJ-002 through GBJ-10S							L4001
Item	Model Number						Description
	GBJ-002	GBJ-003	GBJ-005	GBJ-008	GBJ-010	GBJ-010S	
★	GBJK2	GBJK3	GBJK5	GBJK8	GBJK10	GBJK10	Seal Kit
●	GBJK1	GBJK1	GBJK1	GBJK1	GBJK1	GBJK1	Pump/Release Valve Kit
◆	RH-23	RH-23	RH-550	RH-550	RH-550	RH-550	Handle Kit

Repair Parts List - Models GBJ-015 through GBJ-050						L4001
Item	Model Number					Description
	GBJ-015	GBJ-020	GBJ-020S	GBJ-030	GBJ-050	
★	GBJK15	GBJK20	GBJK20	GBJK30	GBJK50	Seal Kit
●	GBJK1	GBJK1	GBJK1	GBJK1	GBJK1	Pump/Release Valve Kit
◆	RH-550	RH-550	RH-550	RH-550	RH-550	Handle Kit



**Service Information  
Repair Parts Sheet L4001**

Note: See graphic on page 1 for service item locations.																									
Service Item	Action / Comment																								
①	All models: Replace decal if worn or unreadable.  Model GBJ-005 only: The GBJK5 seal kit contains two decals. Be sure to use the 5 Ton decal.																								
②	<p><b>Important:</b></p> <ul style="list-style-type: none"> <li>• Be sure ram is fully retracted before checking oil level or adding additional oil.</li> <li>• Use only Enerpac HF Series hydraulic oil.</li> <li>• Jack hydraulic reservoir is full when oil level is up to - but not above - the oil fill hole.</li> </ul> <p><b>Do not overfill!</b></p> <table border="0"> <thead> <tr> <th>MODEL</th> <th>APPROXIMATE OIL CAPACITY*</th> </tr> </thead> <tbody> <tr> <td>GBJ-002</td> <td>2.36 oz [70 cc]</td> </tr> <tr> <td>GBJ-003</td> <td>3.04 oz [90 cc]</td> </tr> <tr> <td>GBJ-005</td> <td>5.41 oz [160 cc]</td> </tr> <tr> <td>GBJ-008</td> <td>7.60 oz [225 cc]</td> </tr> <tr> <td>GBJ-010</td> <td>9.29 oz [275 cc]</td> </tr> <tr> <td>GBJ-010S</td> <td>5.74 oz [170 cc]</td> </tr> <tr> <td>GBJ-015</td> <td>13.86 oz [410 cc]</td> </tr> <tr> <td>GBJ-020</td> <td>17.75 oz [525 cc]</td> </tr> <tr> <td>GBJ-020S</td> <td>13.52 oz [400 cc]</td> </tr> <tr> <td>GBJ-030</td> <td>27.05 oz [800 cc]</td> </tr> <tr> <td>GBJ-050</td> <td>45.64 oz [1350 cc]</td> </tr> </tbody> </table> <p>*with reservoir completely drained and ram fully retracted.</p>	MODEL	APPROXIMATE OIL CAPACITY*	GBJ-002	2.36 oz [70 cc]	GBJ-003	3.04 oz [90 cc]	GBJ-005	5.41 oz [160 cc]	GBJ-008	7.60 oz [225 cc]	GBJ-010	9.29 oz [275 cc]	GBJ-010S	5.74 oz [170 cc]	GBJ-015	13.86 oz [410 cc]	GBJ-020	17.75 oz [525 cc]	GBJ-020S	13.52 oz [400 cc]	GBJ-030	27.05 oz [800 cc]	GBJ-050	45.64 oz [1350 cc]
MODEL	APPROXIMATE OIL CAPACITY*																								
GBJ-002	2.36 oz [70 cc]																								
GBJ-003	3.04 oz [90 cc]																								
GBJ-005	5.41 oz [160 cc]																								
GBJ-008	7.60 oz [225 cc]																								
GBJ-010	9.29 oz [275 cc]																								
GBJ-010S	5.74 oz [170 cc]																								
GBJ-015	13.86 oz [410 cc]																								
GBJ-020	17.75 oz [525 cc]																								
GBJ-020S	13.52 oz [400 cc]																								
GBJ-030	27.05 oz [800 cc]																								
GBJ-050	45.64 oz [1350 cc]																								
③	Apply lubricating oil to pins and linkage.																								



**To maintain your warranty:**

- Use only Enerpac Oil
- Have your products inspected and repaired by an Enerpac Authorized Service Center



Visit [www.enerpac.com](http://www.enerpac.com) for the location of the Enerpac Authorized Service Center nearest you.