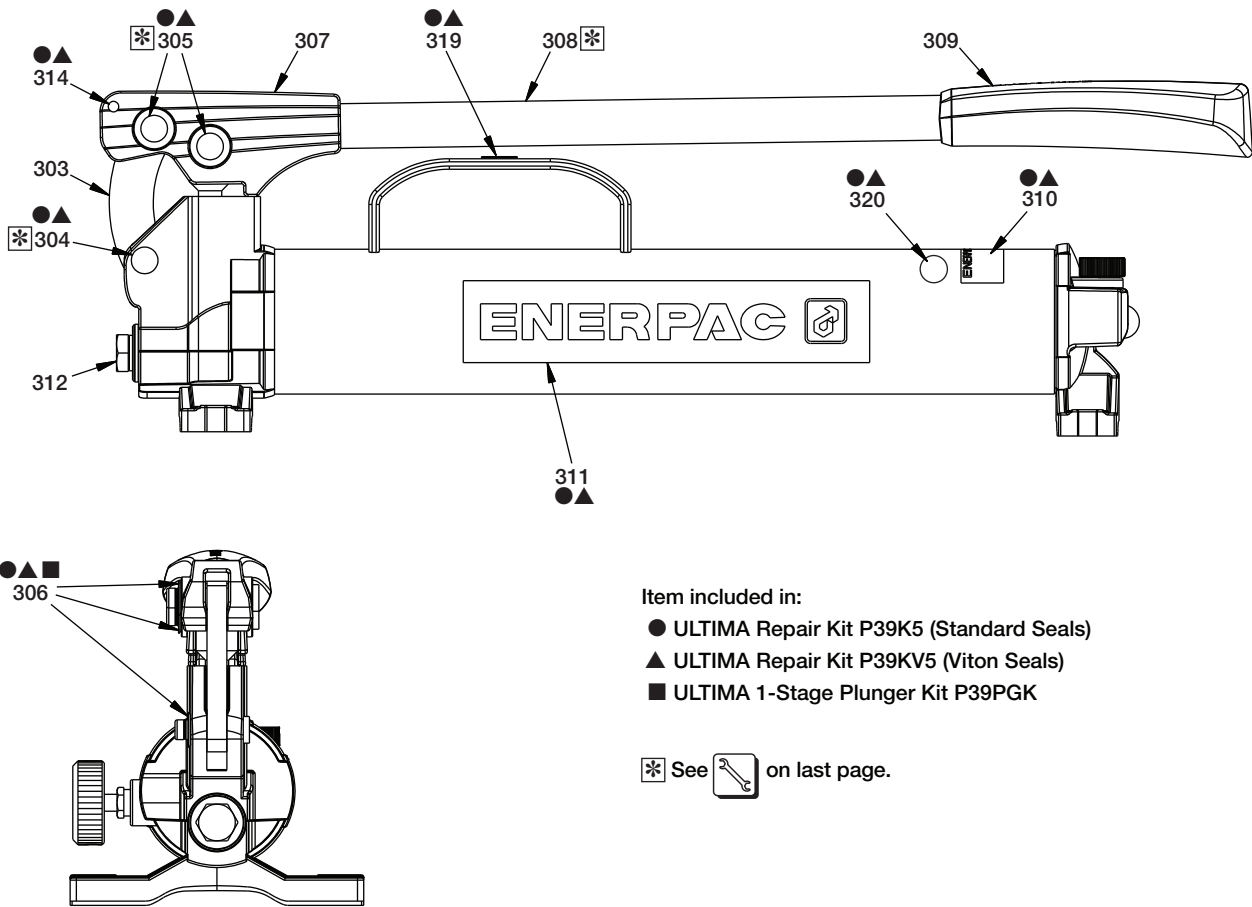


Repair Parts Sheet	Revision	Revision Date	Product Code Beginning
L3071	E	05/2017	J

Fig. 1, Beam, Handle and Labels



Item included in:

- ULTIMA Repair Kit P39K5 (Standard Seals)
- ▲ ULTIMA Repair Kit P39KV5 (Viton Seals)
- ULTIMA 1-Stage Plunger Kit P39PGK

* See  on last page.

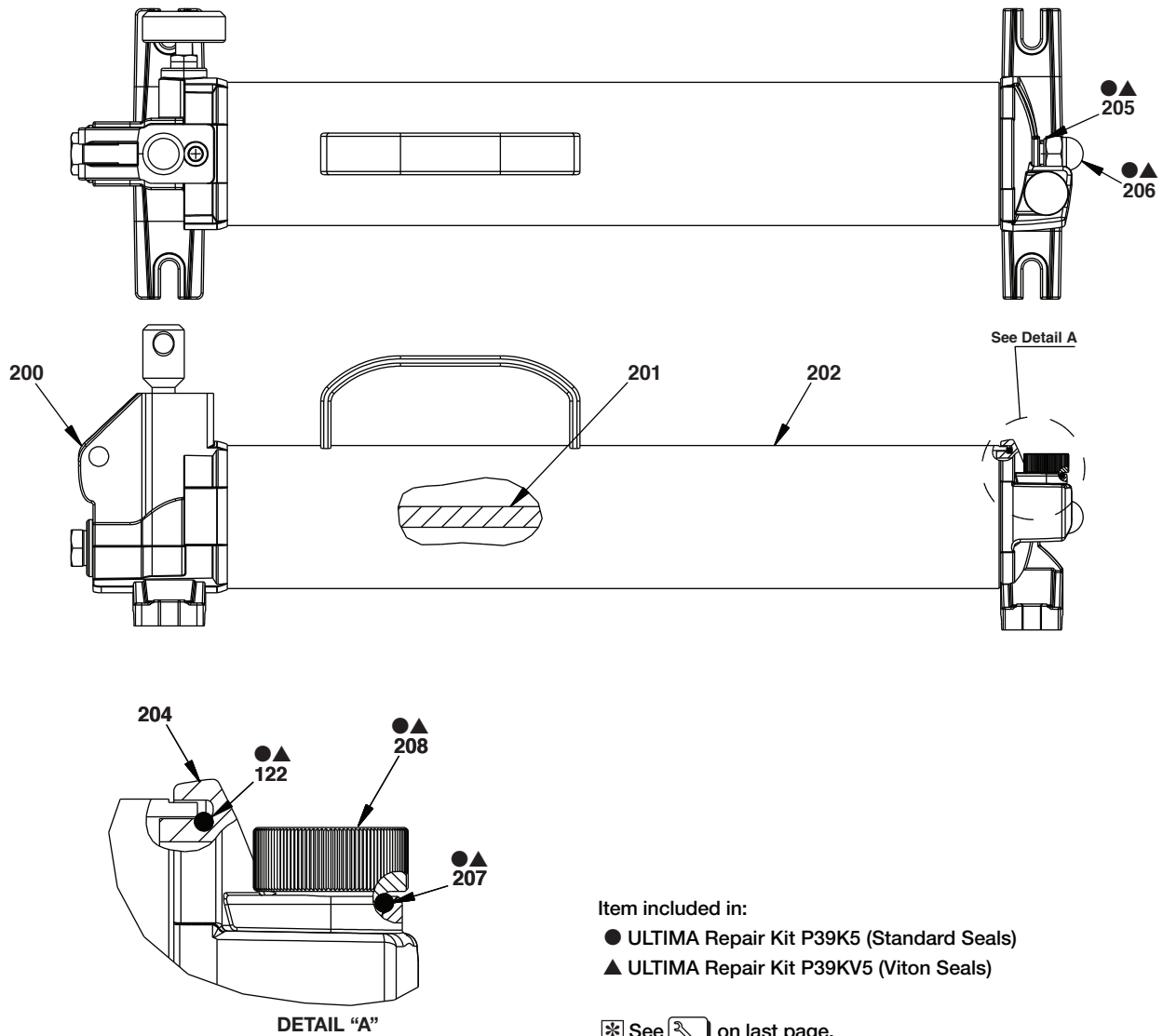
Repair Parts List, Fig. 1

L3071

Item	Part Number	Qty.	Description	Item	Part Number	Qty.	Description
303	DD1634062	1	Linkage	309	DX4160550	1	Grip, Handle
304	●▲ DD1649061	1	Pin	310	●▲ DD2537026	1	Decal, Product Spec
305	●▲ DD1650061	2	Pin	311	●▲ DD3045026	2	Decal, Enerpac
306	●▲■ CB415044	3	Retaining Ring	312	R515245-2	1	Plug, Shipping
307	DD3025900	1	Beam Subassembly (includes item 314)	314	●▲ CCA0523057-1A	1	Spring Pin, M5, 24mm
308	B524070	1	Tubing, Handle	319	●▲ DD2589226	1	Decal, Warning
				320	●▲ DC7887026	1	Decal, Read Instruction

IMPORTANT: Shaded items are available only in kits (not sold separately).

Fig. 2, Pump Reservoir



Item included in:

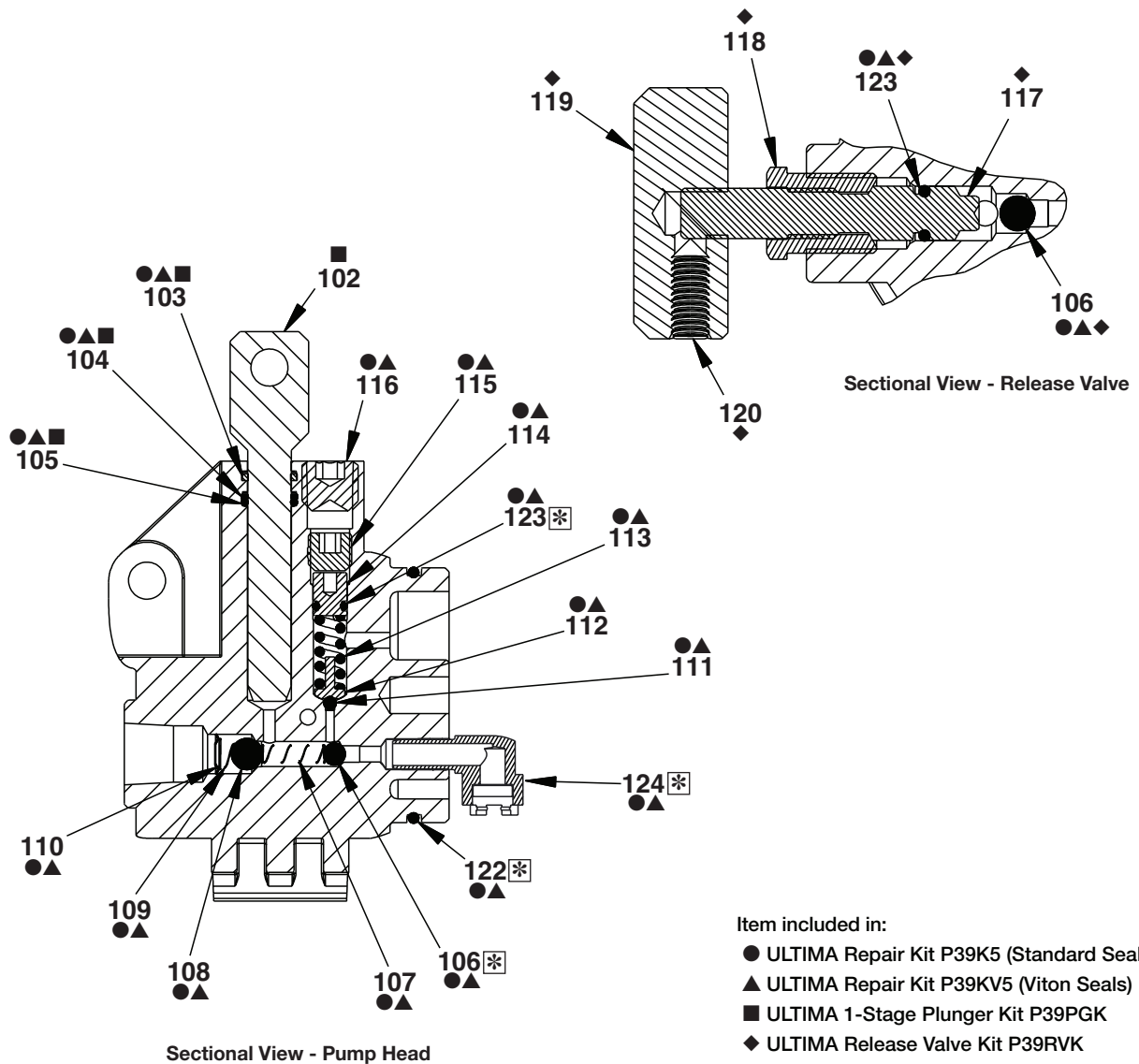
- ULTIMA Repair Kit P39K5 (Standard Seals)
- ▲ ULTIMA Repair Kit P39KV5 (Viton Seals)

* See  on last page.

Repair Parts List, Fig. 2				L3071			
Item	Part Number	Qty.	Description	Item	Part Number	Qty.	Description
122	● B1277503	1	O-Ring, Size -142 (Std.)	204	DD2547020	1	End Cap
	▲ B1142203	1	O-Ring, Size -142 (Viton)	205	●▲CB813167	1	Copper Gasket
200	(See Fig. 3)	1	Pump Head (Note: not sold as subassembly)	206	●▲CL341055	1	Acorn Nut, 0.438-14
201	DA9159107	1	Tie Rod	207	● B1010503	1	O-Ring, Size -112 (Std.)
202	DD3041025	1	Reservoir		▲ B1112203	1	O-Ring, Size -112 (Viton)
				208	●▲DD3063009	1	Plug, Oil Fill

IMPORTANT: Shaded items are available only in kits (not sold separately).

Fig. 3, Pump Head



Item included in:

- ULTIMA Repair Kit P39K5 (Standard Seals)
- ▲ ULTIMA Repair Kit P39KV5 (Viton Seals)
- ULTIMA 1-Stage Plunger Kit P39PGK
- ◆ ULTIMA Release Valve Kit P39RVK

* See  on last page.

Repair Parts List, Fig. 3

L3071

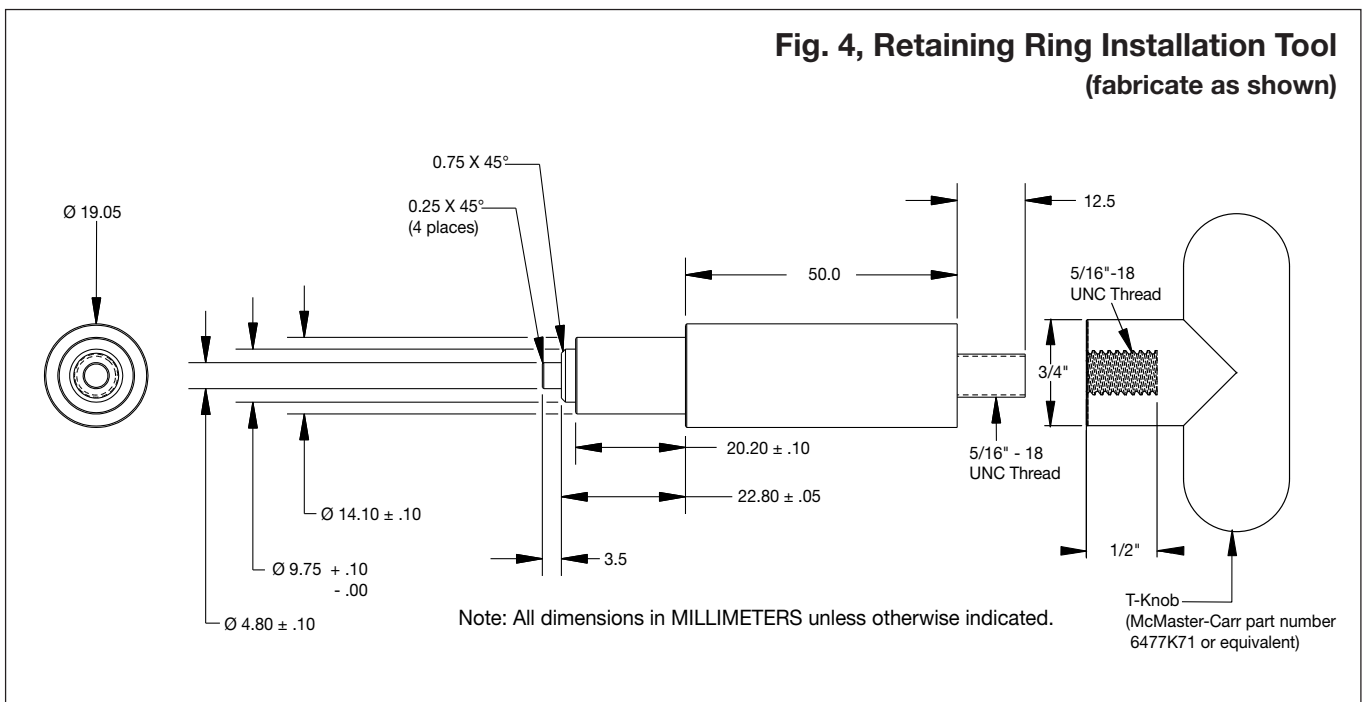
Item	Part Number	Qty.	Description	Item	Part Number	Qty.	Description
102	■ DD3051051	1	Plunger, P39	113	●▲ A8126110	1	Spring
103	●■ B1013517	1	Sq. Ring, Size -013 (Std.)	114	●▲ DC7234009	1	Plug
	▲ B1013518	1	Sq. Ring, Size -013 (Viton)	115	●▲ DC10131048	1	Set Screw, 7/16-20 x 0.38
104	●▲■ B1013565	1	Back-up Ring, -013	116	●▲ A1008245	1	Flush Plug, 1/4 inch
105	●■ B1013803	1	O-Ring, Size -013 (Std.)	117	◆ DD3030040	1	Spindle
	▲ B1013203	1	O-Ring, Size -013 (Viton)	118	◆ DD2747225	1	Cartridge
106	●▲◆ B1006016	2	Ball, 7/32 inch Dia.	119	◆ DX4452147	1	Knob, Release Valve
107	●▲ A8197110	1	Spring	120	◆ DD3082028	1	Set Screw, M6 x 1 x 16mm
108	●▲ B1009016	1	Ball, 5/16 inch Dia.	122	● B1277503	1	O-Ring, Size -142 (Std.)
109	●▲ CF184110	1	Spring, Conical		▲ B1142203	1	O-Ring, Size -142 (Viton)
110	●▲ DX4733549	1	Retaining Ring	123	◆● B1004503	2	O-Ring, Size -009 (Std.)
111	●▲ B1003016	1	Ball, 1/8 inch Dia.		▲ B1009203	2	O-Ring, Size -009 (Viton)
112	●▲ A8038570	1	Ball Cap	124	●▲ DD4551900	1	Filter Assembly, Intake

IMPORTANT: Shaded items are available only in kits (not sold separately).



Service Information			L3071
Fig.	Item	Torque / notes	
1	304	Apply grease before assembly.	
1	305	Apply grease before assembly.	
1	308	Apply Loctite 243 to threads before assembly. Apply torque by turning one additional turn after hand tight.	
2	206	28 - 35 Nm [21 - 26 Ft - Lbs.]	
2	208	Hand tighten until fully installed.	
3	106	Coin ball seat before installing new ball.	
3	108	Coin ball seat before installing new ball.	
3	110	Use installation tool to install retaining ring. See Fig. 4 for fabrication instructions.	
3	111	Coin ball seat before installing new ball.	
3	114	Lubricate with grease before assembly.	
3	115	Turn set screw to adjust relief valve pressure setting. DO NOT set pressure higher than 700 Bar [10,000 Psi]	
3	116	After setting relief valve: Torque to 11,0 - 14,5 Nm [8.1 - 10.7 Ft - Lbs.]	
3	118	27 - 35 Nm [20.0 - 25.8 Ft - Lbs.]	
3	120	11.0-14.5 Nm [8.1 - 10.7 Ft- Lbs]	
3	122	Lubricate with grease before assembly.	
3	123	Lubricate with grease before assembly.	
3	124	Assemble with screen open end down.	

Fig. 4, Retaining Ring Installation Tool
(fabricate as shown)



To maintain your warranty:

- Use only Enerpac Oil
- Have your products inspected and repaired by an Enerpac Authorized Service Center

ENERPAC

Visit www.enerpac.com for the location of the Enerpac Authorized Service Center nearest you.