

Repair Parts Sheet	Revision	Revision Date	Product Code Beginning
L2822	Rev. E	02/22	O, B & A

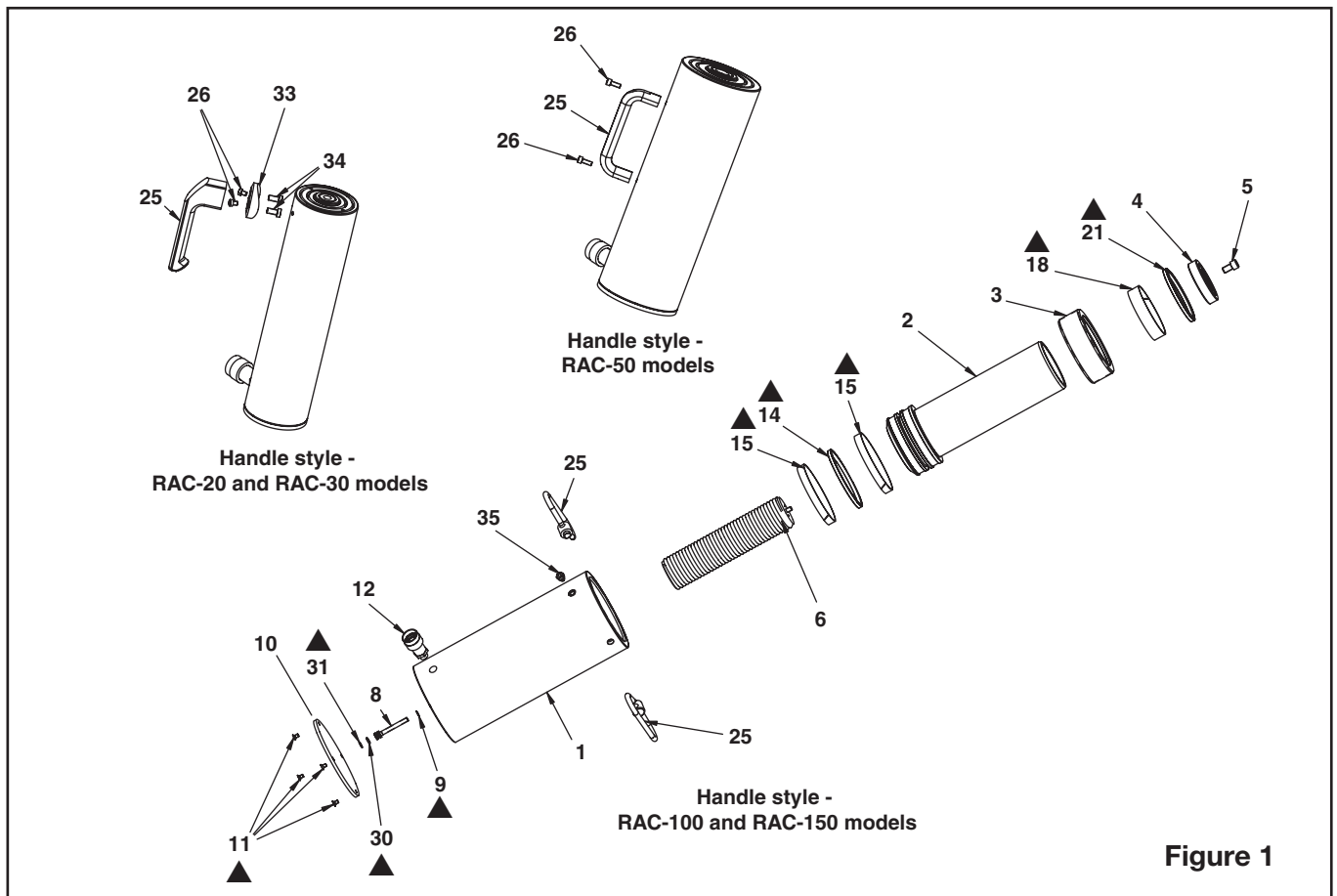


Figure 1

## Repair Parts List RAC - Figure 1

L 2822

Item	Description	Qty	20-Ton	30-Ton	50-Ton	100-Ton	150-Ton
1	Cylinder Base	1	Not available as spare part, order new cylinder				
2	Plunger 50mm	1			RAC502040	RAC1002040	RAC1502040
	Plunger 100mm	1			RAC504040	RAC1004040	RAC1504040
	Plunger 150mm	1			RAC506040	RAC1006040	RAC1506040
	Plunger 200mm	1			RAC508040	RAC1008040	RAC1508040
	Plunger 250mm	1			RAC5010040	RAC10010040	RAC15010040
3	Stop Ring	1	RAC20044	RAC30044	RAC50044	RAC100044	RAC150044
4	Saddle	1	RAC20045	RAC20045	CLRG50045	CLRG150045	CLRG200045
5	Screw HSHCDIN 912/8.8	1	M6 x 10	M6 x10	M12 x 20	M12 x 20	M12 x 20

# Repair Parts List RAC - Figure 1

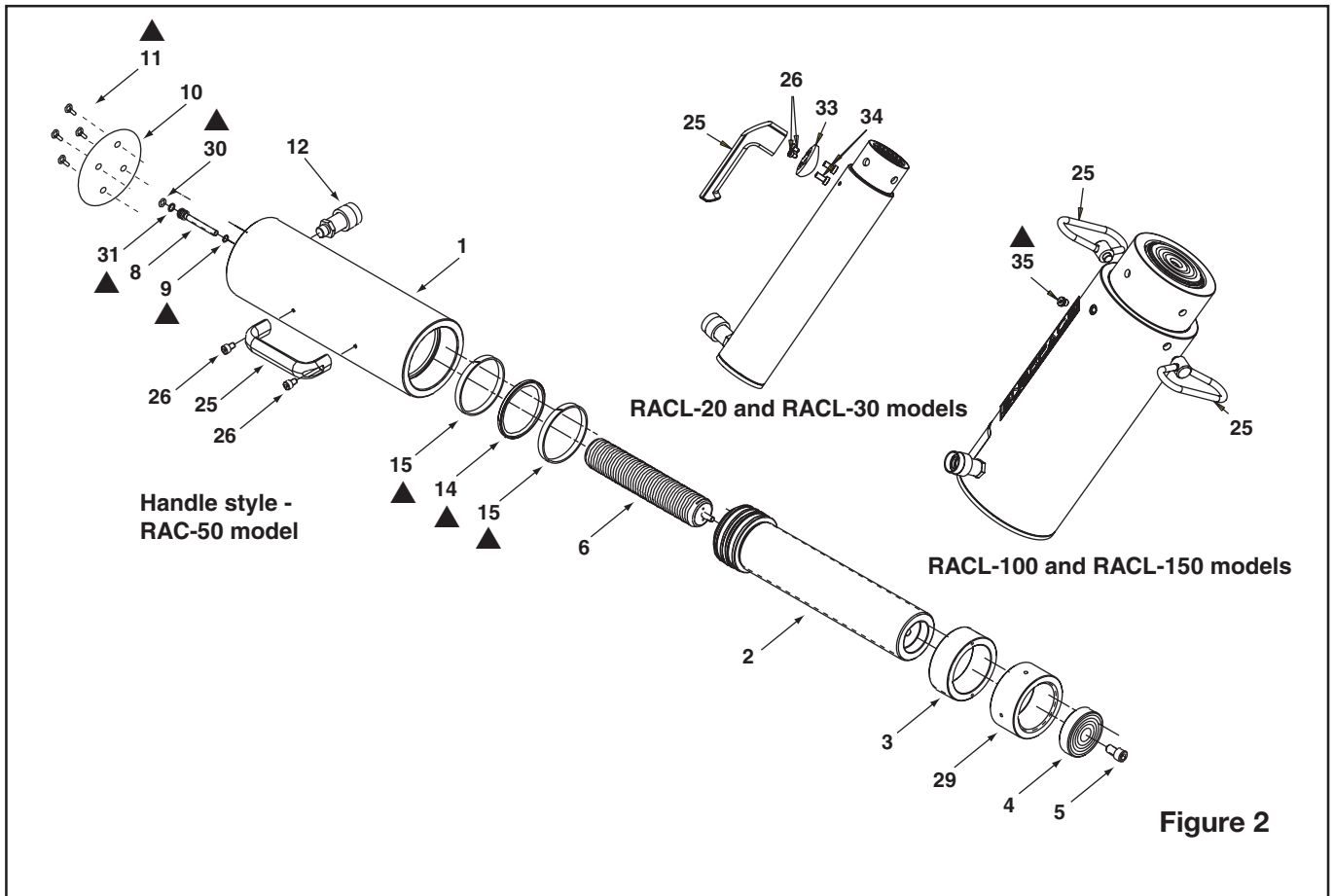
# L 2822

Item	Description	Qty	20-Ton	30-Ton	50-Ton	100-Ton	150-Ton
6	Spring 50mm	1	RAC202900	RAC302900	RAC502900	RAC1002900	RAC1502900
	Spring 100mm	1	RAC204900	RAC304900	RAC504900	RAC1004900	RAC1504900
	Spring 150mm	1	RAC206900	RAC306900	RAC506900	RAC1006900	RAC1506900
	Spring 200mm	1	RAC208900	RAC308900	RAC508900	RAC1008900	RAC1508900
	Spring 250mm	1	RAC2010900	RAC3010900	RAC5010900	RAC10010900	RAC15010900
8	Retainer Screw	1	DC5469160	DC5469160	DC5469160	DD9566028	DC5469160
9	Copper Washer	1	▲	▲	▲	▲	▲
10	Protector Plate ■	1	DC5450101	DC5451101	DC5452101	DC5454101	DC5455101
	Protector Plate ●	1	---	---	---	DD1111101	DD1112101
	Protector Plate ◆	1	---	---	---	---	---
11	Screw DIN 7991	4	▲	▲	▲	▲	▲
12	Coupler	1	CR400	CR400	CR400	CR400	CR400
14	Piston Seal	1	▲	▲	▲	▲	▲
15	Piston Wear Ring	2	▲	▲	▲	▲	▲
18	Rod Wear Ring	1	▲	▲	▲	▲	▲
21	Rod Wiper	1	▲	▲	▲	▲	▲
25	Handle	1	DC5922070	DC5922070	DC5477070		
	Horizontal Handle	2				DC5470900	DC5470900
26	Screw	2	M6 x 8	M6 x 8	M6 x 16		
30	Back Up Ring	1	▲	▲	▲	▲	▲
31	O-Ring	1	▲	▲	▲	▲	▲
33	Adaptor Plate	1	DC5949005	DC5950005			
34	Screw DIN 7984	2	M8 x 16	M8 x 16			
35	Vent Plug	1				▲	▲
36	EP Decal, Short (not shown)	1	▲	▲	▲	▲	▲
	EP Decal, Long (not shown)	1	▲	▲	▲	▲	▲
37	Warning Decal (not shown)	1	▲	▲	▲	▲	▲
38	Dust Cap (not shown)	1	▲	▲	▲	▲	▲
39	Coupler O-Ring (not shown)	1	▲	▲	▲	▲	▲
	<b>Repair Kit</b>	<b>1</b>	<b>RAC20K50</b>	<b>RAC30K50</b>	<b>RAC50K50</b>	<b>RAC100K50</b>	<b>RAC150K50</b>

▲ = Indicated parts only available in Repair Kit. ■ Units with date code "O" only. ● Units with date code "A" only.  
◆ = Units with date code "B" only. --- = Same part as previous date code.



Item nr.	Torque / remark
3	20.3 - 33.9 Nm [15 - 25 ft-lbs]
5	(M6) 5.7 - 7.9 Nm [50 - 70 in-lbs]
	(M12) 13.6 - 27.1 Nm [10 - 20 ft-lbs]
6	(M6) 5.7 - 7.9 Nm [50 - 70 in-lbs]
	(M8) 10.2 - 12.4 Nm [90 - 110 in-lbs]
8	10.2 - 12.4 Nm [90 - 110 in-lbs]
11	(M6) 5.7 - 7.9 Nm [50 - 70 in-lbs]
	(M10) 13.6 - 27.1 Nm [10 - 20 ft-lbs]
12	101 Nm [75 ft-lbs min]
	Max. coupler protrusion 55.25mm
26	5.7 - 7.9 Nm [50 - 70 in-lbs]
34	10.2 - 12.4 Nm [90 - 110 in-lbs]



## Repair Parts List RACL - Figure 2

**L 2822**

Item	Description	Qty	20-Ton	30-Ton	50-Ton	100-Ton	150-Ton	
1	Cylinder Base	1	Not available as spare part, order new cylinder					
2	Plunger 50mm	1			RACL502040	RACL1002040	RACL1502040	
	Plunger 100mm	1			RACL504040	RACL1004040	RACL1504040	
	Plunger 150mm	1			RACL506040	RACL1006040	RACL1506040	
	Plunger 200mm	1			RACL508040	RACL1008040	RACL1508040	
	Plunger 250mm	1			RACL5010040	RACL10010040	RACL15010040	
3	Stop Ring	1	RACL20044	RACL30044	RACL50044	RACL100044	RACL150044	
4	Saddle	1	RAC20045	RAC20045	CLRG50045	CLRG150045	CLRG200045	
5	Screw HSHC DIN 912/8.8	1	M6 x 10	M6 x 10	M12 x 20	M12 x 20	M12 x 20	
6	Spring 50mm	1	RAC202900	RAC302900	RAC502900	RAC1002900	RAC1502900	
	Spring 100mm	1	RAC204900	RAC304900	RAC504900	RAC1004900	RAC1504900	
	Spring 150mm	1	RAC206900	RAC306900	RAC506900	RAC1006900	RAC1506900	
	Spring 200mm	1	RAC208900	RAC308900	RAC508900	RAC1008900	RAC1508900	
	Spring 250mm	1	RAC2010900	RAC3010900	RAC5010900	RAC10010900	RAC15010900	
8	Retainer Screw	1	DC5469160	DC5469160	DC5469160	DD9566028	DC5469160	
9	Copper Washer	1	▲	▲	▲	▲	▲	
10	Protector Plate ■	1	DC5450101	DC5451101	DC5452101	DC5454101	DC5455101	
	Protector Plate ●	1	---	---	---	DD1111101	DD1112101	
	Protector Plate ♣	1	---	---	---	---	---	
11	Screw DIN 7991	4	▲	▲	▲	▲	▲	
12	Coupler	1	CR400	CR400	CR400	CR400	CR400	
14	Piston Seal	1	▲	▲	▲	▲	▲	

▲ = Indicated parts only available in Repair Kit. ■ Units with date code "O" only. ● Units with date code "A" only.  
 ♣ = Units with date code "B" only. --- = Same part as previous date code.

# Repair Parts List RACL - Figure 2

# L 2822

Item	Description	Qty	20-Ton	30-Ton	50-Ton	100-Ton	150-Ton
15	Piston Wear Ring	2	▲	▲	▲	▲	▲
25	Handle	1	DC5922070	DC5922070	DC5477070		
	Handle	2				DC5470900	DC5470900
26	Screw	2	M6 x 8	M6 x 8	M6 x 16		
29	Locknut	1	RACL20021	RACL30021	RACL50021	RACL100021	RACL150021
30	Back Up Ring	1	▲	▲	▲	▲	▲
31	O-Ring	1	▲	▲	▲	▲	▲
33	Adaptor Plate	1	DC5949005	DC5950005			
34	Screw DIN 7984	2	M8 x 16	M8 x 16			
35	Vent Plug	1				▲	▲
36	EP Decal, Short (not shown)	1	▲	▲	▲	▲	▲
	EP Decal, Long (not shown)	1	▲	▲	▲	▲	▲
37	Warning Decal (not shown)	1	▲	▲	▲	▲	▲
38	Dust Cap (not shown)	1	▲	▲	▲	▲	▲
39	Coupler O-Ring (not shown)	1	▲	▲	▲	▲	▲
40	Warning Decal (not shown)	1	▲	▲	▲	▲	▲
	<b>Repair Kit</b>	<b>1</b>	<b>RAC20K50</b>	<b>RAC30K50</b>	<b>RAC50K50</b>	<b>RAC100K50</b>	<b>RAC150K50</b>

▲ = Indicated parts only available in Repair Kit. ■ Units with date code "O" only. ● Units with date code "A" only.  
 ◆ = Units with date code "B" only. --- = Same part as previous date code.



Item nr.	Torque / remark
3	20.3 - 33.9 Nm [15 - 25 ft-lbs]
5	(M6) 5.7 - 7.9 Nm [50 - 70 in-lbs]
	(M12) 13.6 - 27.1Nm [10 - 20 ft-lbs]
6	(M6) 5.7 - 7.9 Nm [50 - 70 in-lbs]
	(M8) 10.2 - 12.4 Nm [90 - 110 in-lbs]
8	10.2 - 12.4 Nm [90 - 110 in-lbs]
11	(M6) 5.7 - 7.9 Nm [50 - 70 in-lbs]
	(M10) 13.6 - 27.1Nm [10 - 20 ft-lbs]
12	101 Nm [75 ft-lbs min]
	Max. coupler protrusion 55.25mm
26	5.7 - 7.9 Nm [50 - 70 in-lbs]
34	10.2 - 12.4 [Nm 90 - 110 in-lbs]



To maintain your warranty:

- Use only Enerpac Oil
- Have your products inspected and repaired by an Enerpac Authorized Service Center

# ENERPAC

Visit [www.enerpac.com](http://www.enerpac.com) for the location of the Enerpac Authorized Service Center nearest you.