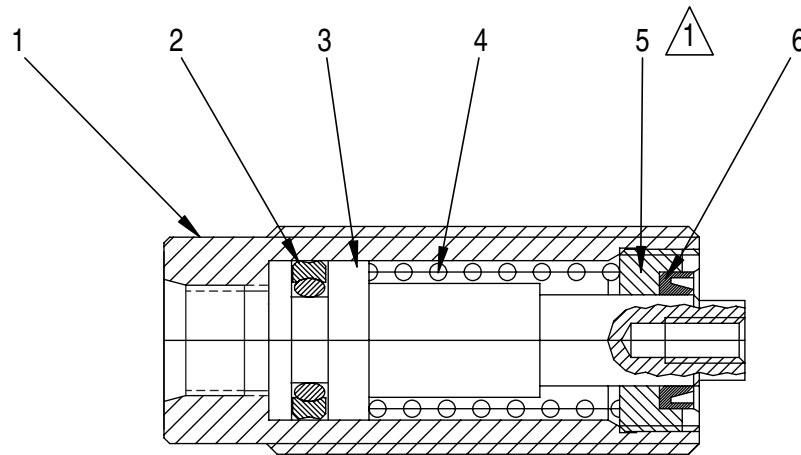


To Protect Your Warranty, Use Only ENERPAC Hydraulic Oil.

Enerpac recommends that all kit components be installed to insure optimum performance of the repaired product.



NOTE:



Spray threads on base (item 1) and stop ring (item 5) with Loctite Activator #7649. Apply Loctite #222 to threads after Activator has dried. Assemble and torque stop ring (item 5) to 50-100 In-Lbs (5-11 Nm).

Parts List - CST18 Series Cylinders

Item	Model Number								Qty.	Description
	CST18131	CST18251	CST18381	CST18501	CST18132	CST18252	CST18382	CST18502		
1	DC6947030	DC6948030	DC6949030	DC6950030	DC6056030	DC6057030	DC6058030	DC6059030	1	Base
2	DC4704076	DC4704076	DC4704076	DC4704076	DC4704076	DC4704076	DC4704076	DC4704076	1	★ Seal, Piston
3	PA2140040	PA2141040	DC4743040	DC4744040	PA2142040	PA2143040	DC4746040	DC4747040	1	Plunger
4	CZ716110	CZ720110	DC4723110	DC4724110	CZ716110	CZ720110	DC4723110	DC4724110	1	Spring
5	PA2801044	PA2801044	PA2801044	PA2801044	DC6038044	DC6038044	DC6038044	DC6038044	1	Stop Ring
6	CZ717041	CZ717041	CZ717041	CZ717041	CZ717041	CZ717041	CZ717041	CZ717041	1	★ Wiper

★ Items included in and available only as part of Seal Kit CST18K1.

Actuant Australia Ltd.
Block V Unit 3
Regents Park Estate
391 Park Road
Regents Park NSW 2143
(P.O. Box 261) Australia
Tel: +61 297 438 988
Fax: +61 297 438 648

Brazil
Power Packer do Brasil Ltda.
Rua dos Inocentes, 587
04764-050 - Sao Paulo (SP)
Tel: +55 11 5687 2211
Fax: +55 11 5686 5583
Toll Free in Brazil:
Tel: 0800 891 5770
vendasbrasil@enerpac.com

Canada
Actuant Canada Corporation
6615 Ordan Drive, Unit 14-15
Mississauga, Ontario L5T 1X2
Tel: +1 905 564 5749
Fax: +1 905 564 0305
Toll Free:
Tel: +1 800 268 4987
Fax: +1 800 461 2456
Technical Inquiries:
techservices@enerpac.com

China
Actuant China Ltd.
1F, 269 Fute N. Road
Waigaoqiao Free Trade Zone
Pudong New District
Shanghai, 200 131 China
Tel: +86 21 5866 9099
Fax: +86 21 5866 7156

Central and Eastern Europe, Greece
ENERPAC B.V.
Galvanistraat 115
P.O. Box 8097
6710 AB Ede
The Netherlands
Tel: +31 318 535 936
Fax: +31 318 535 951

France, Switzerland francophone
ACTUANT - ENERPAC
ZA de Courtaboeuf
32, avenue de la Baltique
91140 Villebon / Yvette
France
Tel: +33 1 60 13 68 68
Fax: +33 1 69 20 37 50

**Germany, Austria
and Switzerland**
ENERPAC GmbH
P.O. Box 300113
D-40401 Düsseldorf
Germany
Tel: +49 211 471 490
Fax: +49 211 471 49 28

India
ENERPAC Hydraulics
(India) Pvt. Ltd.
Office No. 9,10 & 11,
Plot No. 56, Monarch Plaza,
Sector 11, C.B.D. Belapur
Navi Mumbai 400614, India
Tel: +91 22 2756 6090
Tel: +91 22 2756 6091
Fax: +91 22 2756 6095

Besshochou 85-7
Saitama-shi, Kita-ku,
Saitama 331-0821
Japan
Tel: +81 48 662 4911
Fax: +81 48 662 4955

**Middle East, Turkey and
Caspian Sea**
ENERPAC Middle East FZE
P.O. Box 18004
Jebel Ali, Dubai
United Arab Emirates
Tel: +971 (0)4 8872686
Fax: +971 (0)4 8872687

**Russia and CIS
(excl. Caspian Sea Countries)**
Actuant LLC
Admiral Makarov Street 8
125212 Moscow, Russia
Tel: +7-495-9809091
Fax: +7-495-9809092

Singapore
Actuant Asia Pte. Ltd.
25 Serangoon North Ave. 5
#03-01 Keppel Digihub
Singapore 554914
Thomson Road
P.O. Box 114
Singapore 915704
Tel: +65 64 84 5108
+65 64 84 3737
Fax: +65 64 84 5669
Toll Free: +1800 363 7722
Technical Inquiries:
techsupport@enerpac.com.sg

Spain and Portugal
ENERPAC
C/San José Artesano 8
Pol. Ind.
28108 Alcobendas
(Madrid) Spain
Tel: +34 91 661 11 25
Fax: +34 91 661 47 89

**The Netherlands, Belgium,
Luxembourg, Sweden,
Denmark, Norway, Finland
and Baltic States**
ENERPAC B.V.
Galvanistraat 115
P.O. Box 8097, 6710 AB Ede
The Netherlands
Tel: +31 318 535 911
Fax: +31 318 525 613
+31 318 535 848

Technical Inquiries Europe:
techsupport.europe@enerpac.com

United Kingdom, Ireland
ENERPAC Ltd.
Energac Ltd
Bentley Road South
Darlaston, West Midlands
WS10 8LQ, United Kingdom
Tel: +44 (0)121 50 50 787
Fax: +44 (0)121 50 50 799

**USA, Latin America
and Caribbean**
ENERPAC
P.O. Box 3241
6100 N. Baker Road
Milwaukee, WI 53209 USA
Tel: +1 262 781 6600
Fax: +1 262 783 9562

Inquiries/orders:
+1 800 558 0530
Technical Inquiries:
techservices@enerpac.com

**All Enerpac products are guaranteed against defects in workmanship and materials for as long as you own them.
For your nearest authorized Enerpac Service Center, visit us at www.enerpac.com**