

L2688 Rev. E 03/21

For early models with date codes beginning with the Letter "A".  
For models with eight digit Julian date codes (May 2009 and later).

**Enerpac recommends that all kit components be installed to assure optimum performance of the repaired product.**

**Enerpac recommends that all torque wrenches should be verified for accuracy prior to use with any torque multiplier.**

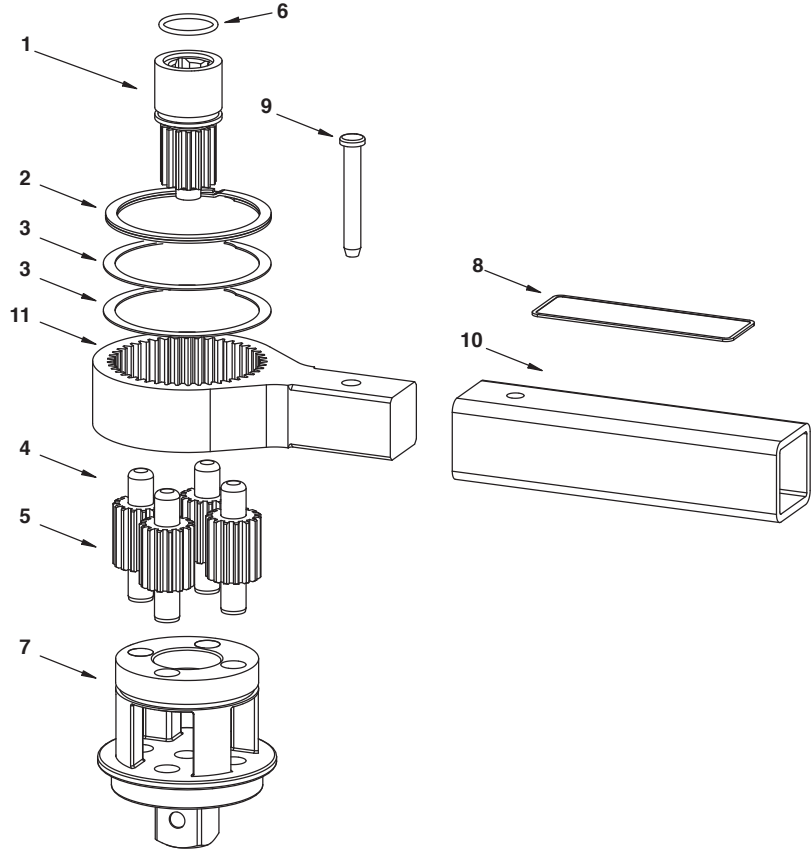


Figure 1, Models E290PLUS and E291

#### Repair Parts List for Models E290PLUS and E291

| Item | E290PLUS        | E291            | Qty. | Description                     |
|------|-----------------|-----------------|------|---------------------------------|
| 1    | E290PK          | E290PK          | 1    | Input Pinion (includes item #6) |
| 2    | ★               | ★               | 1    | Retaining Ring                  |
| 3    | ★               | ★               | 2    | Circular Shim                   |
| 4    | † ★             | † ★             | 4    | Dowel Pin                       |
| 5    | †               | †               | 4    | Planetary Gear                  |
| 6    | ★               | ★               | 1    | O-Ring                          |
| 7    | E290CK          | E290CK          | 1    | Gear Cage Assembly              |
| 8    | ★               | ★               | 1    | Name Plate                      |
| 9    | ★               | ★               | 1    | Clevis Pin                      |
| 10   | E290PARM        | E291ARM         | 1    | Reaction Anchor                 |
| 11   | Not serviceable | Not serviceable | 1    | Ring Gear                       |

★ Items included in and available only as part of Repair Kit E290HK.

† Items included in and available only as part of Repair Kit E290GK.

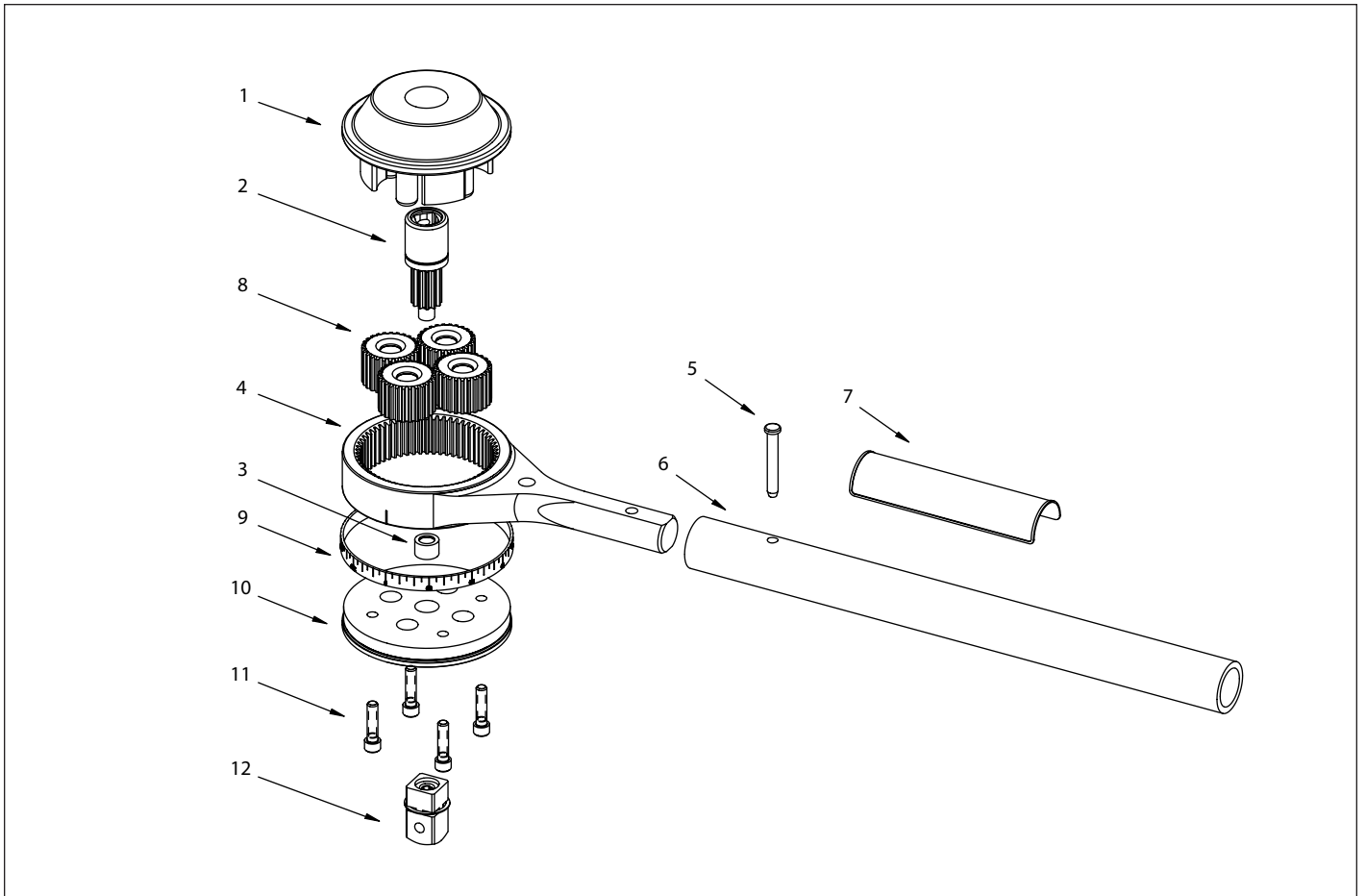


Figure 2 Model E391

**Repair Parts List for Model E391**

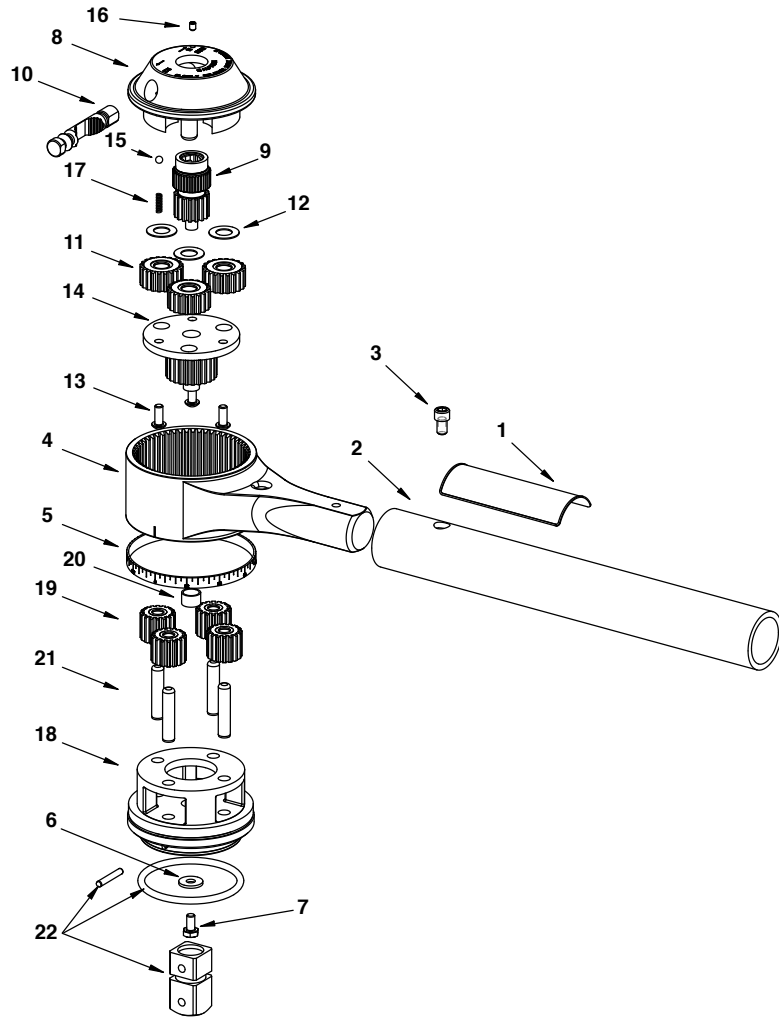
| Item | Part Number         | Qty. | Description        | Item | Part Number | Qty. | Description                  |
|------|---------------------|------|--------------------|------|-------------|------|------------------------------|
| 1    | E391EK <sup>1</sup> | 1    | Input End Assembly | 7    | ★           | 1    | Name Plate                   |
| 2    | ◆                   | 1    | Input Pinion       | 8    | E391GK      | 4    | Planetary Gear               |
| 3    | ◆                   | 1    | Bearing            | 9    | ★           | 1    | Protractor                   |
| 4    | Not serviceable     | 1    | Ring Gear          | 10   | DC7128190K  | 1    | Square Drive Carrier         |
| 5    | ★                   | 1    | Clevis Pin         | 11   | ★           | 4    | 1/4-28x1 SHC                 |
| 6    | E391ARM             | 1    | Reaction Anchor    | 12   | E391SDK     | 1    | Square Drive Replacement Kit |

Note <sup>1</sup> - Contains four pressed in dowel pins.

◆ Items included in and available only as part of Repair Kit E391PK.

★ Items included in and available only as part of Repair Kit E391HK.

Figure 3, Model E392



**Repair Parts List for Model E392**

| Item | Part Number         | Qty. | Description                | Item | Part Number | Qty. | Description               |
|------|---------------------|------|----------------------------|------|-------------|------|---------------------------|
| 1    | ★                   | 1    | Name Plate                 | 12   | ❖           | 3    | Thrust Race               |
| 2    | E392ARM             | 1    | Reaction Anchor            | 13   | ★           | 3    | 1/4-28x5/8 BHC            |
| 3    | N/A                 | 1    | 5/16" -18 X 1/2" SHC Screw | 14   | ▮           | 1    | Secondary Input Assy. Kit |
| 4    | Not serviceable     | 1    | Ring Gear                  | 15   | †           | 1    | 7/32 Ball                 |
| 5    | ★                   | 1    | Protractor                 | 16   | †           | 1    | Nylon Cup Set Screw       |
| 6    | ★                   | 1    | Spacer                     | 17   | †           | 1    | Spring                    |
| 7    | ★                   | 1    | 1/4-20x1/2 Gr8 HHC         | 18   | ◆           | 1    | Gear Cage                 |
| 8    | E392EK <sup>1</sup> | 1    | Input End Assembly         | 19   | ▲           | 4    | Output Planetary Gear     |
| 9    | E392PK              | 1    | Input Pinion               | 20   | ▮◆          | 1    | Bushing                   |
| 10   | †                   | 1    | Selector Pawl              | 21   | ◆▲          | 4    | Dowel Pin                 |
| 11   | ❖                   | 3    | Input Planetary Gear       | 22   | E392SDK     | 1    | Square Drive Kit          |

Note <sup>1</sup> - Contains three pressed in dowel pins.

Note <sup>2</sup> - Kit contains a dowel pin that is not used on the E392 Torque Multiplier.

★ Items included in and available only as part of Repair Kit E392HK.

† Items included in and available only as part of Repair Kit E392SK.<sup>2</sup>

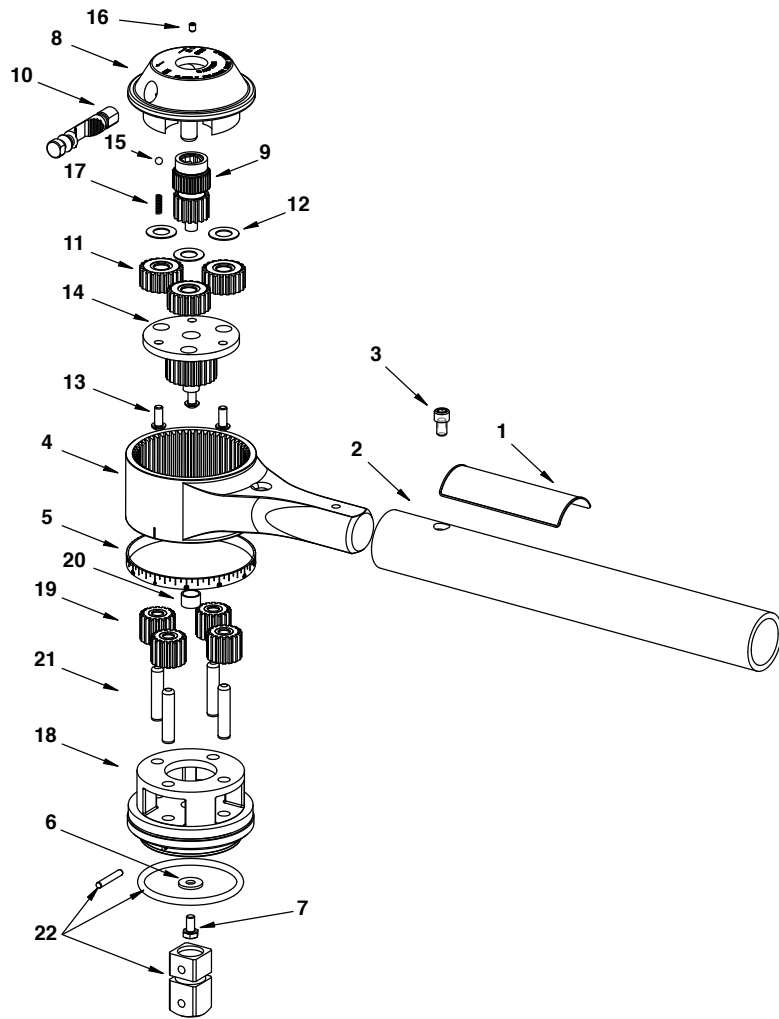
❖ Items included in and available only as part of Repair Kit E392GK1.

▮ Items included in and available only as part of Repair Kit DC7127190K.

◆ Items included in and available only as part of Repair Kit E392CK.

▲ Items included in and available only as part of Repair Kit E392GK2.

Figure 4, Model E393



**Repair Parts List for Model E393**

| Item | Part Number         | Qty. | Description                | Item | Part Number | Qty. | Description               |
|------|---------------------|------|----------------------------|------|-------------|------|---------------------------|
| 1    | ★                   | 1    | Name Plate                 | 12   | ❖           | 3    | Thrust Race               |
| 2    | E392ARM             | 1    | Reaction Anchor            | 13   | ★           | 3    | 1/4-28x5/8 BHC            |
| 3    | N/A                 | 1    | 5/16" -18 X 1/2" SHC Screw | 14   | ●           | 1    | Secondary Input Assy. Kit |
| 4    | Not serviceable     | 1    | Ring Gear                  | 15   | †           | 1    | 7/32 Ball                 |
| 5    | ★                   | 1    | Protractor                 | 16   | †           | 1    | Nylon Cup Set Screw       |
| 6    | ★                   | 1    | Spacer                     | 17   | †           | 1    | Spring                    |
| 7    | ★                   | 1    | 1/4-20x1/2 Gr8 HHC         | 18   | ⊕           | 1    | Gear Cage                 |
| 8    | E392EK <sup>1</sup> | 1    | Input End Assembly         | 19   | ◇           | 4    | Output Planetary Gear     |
| 9    | E392PK              | 1    | Input Pinion               | 20   | ● ⊕         | 1    | Bushing                   |
| 10   | E392SK <sup>2</sup> | 1    | Selector Pawl              | 21   | ⊕ ◇         | 4    | Dowel Pin                 |
| 11   | ❖                   | 3    | Input Planetary Gear       | 22   | E393SDK     | 1    | Square Drive Kit          |

Note <sup>1</sup> - Contains three pressed in dowel pins.

Note <sup>2</sup> - Kit contains a dowel pin that is not used on the E393 Torque Multiplier.

★ Items included in and available only as part of Repair Kit E392HK.

❖ Items included in and available only as part of Repair Kit E392GK1.

● Items included in and available only as part of Repair Kit DC7129190K.

† Items included in and available only as part of Repair Kit E392SK.

⊕ Items included in and available only as part of Repair Kit E393CK.

◇ Items included in and available only as part of Repair Kit E393GK2.

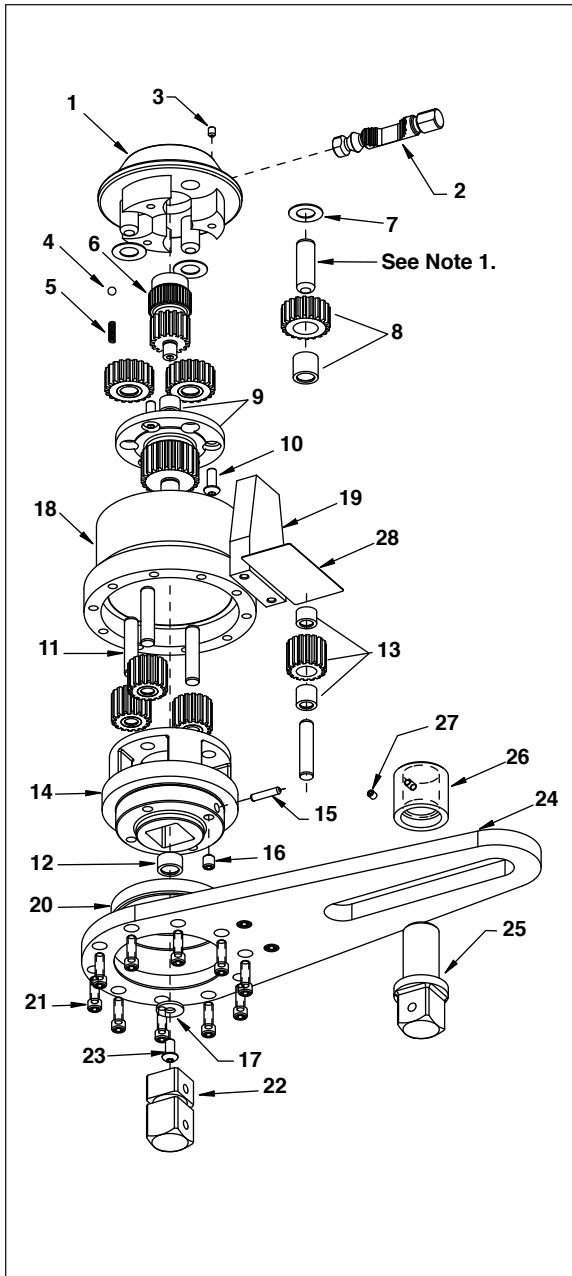


Figure 5, Models E492 and E493

| Repair Parts List for Models E492 and E493 |                     |                     |      |                              |
|--|---------------------|---------------------|------|------------------------------|
| Item                                       | E492                | E493                | Qty. | Description                  |
| 1  | E392EK <sup>1</sup> | E392EK <sup>1</sup> | 1    | Input End Assembly           |
| 2  | †                   | †                   | 1    | Selector Pawl                |
| 3  | †                   | †                   | 1    | Set Screw                    |
| 4  | †                   | †                   | 1    | 7/32 Ball                    |
| 5  | †                   | †                   | 1    | Spring                       |
| 6  | ●                   | ●                   | 1    | Input Pinion                 |
| 7  | ◆                   | ◆                   | 3    | Thrust Washer                |
| 8  | E392GK1             | E392GK1             | 3    | Input Planetary Gear Kit     |
| 9  | DC7127190K          | DC7129190K          | 1    | Secondary Input Assy.        |
| 10   | ◆                   | ◆                   | 3    | 1/4-28x5/8 BHC               |
| 11   | + ★                 | + ☆                 | 4    | Dowel Pin                    |
| 12   | ● ★                 | ● ☆                 | 1    | Bearing                      |
| 13   | +                   | +                   | 4    | Secondary Planetary Gear Kit |
| 14   | ★                   | ☆                   | 1    | Gear Cage                    |
| 15   | See Note 5          | See Note 5          | 1    | Dowel Pin                    |
| 16   | ◆                   | ◆                   | 1    | Set Screw                    |
| 17   | ◆                   | ◆                   | 1    | Spacer                       |
| 18   | Not serviceable     | Not serviceable     | 1    | Housing                      |
| 19   | DC7141900K          | DC7142900K          | 1    | Anchor                       |
| 20   | DC7140155K          | DC7140155K          | 1    | Bushing                      |
| 21   | ◆                   | ◆                   | 12   | 1/4-20x3/4 SHCS <sup>4</sup> |
| 22   | E392SDK             | E393SDK             | 1    | Square Drive Kit             |
| 23   | ◆                   | ◆                   | 1    | Nyloc BHC Screw              |
| 24   | DC7145101K          | DC7145101K          | 1    | Reaction Anchor Plate        |
| 25   | ○                   | ○                   | 1    | Slave Drive                  |
| 26   | ○                   | ○                   | 1    | Slave Drive Retainer         |
| 27   | ○                   | ○                   | 1    | Set Screw                    |
| 28   | ◆                   | ◆                   | 1    | Name Plate                   |

Note <sup>1</sup> - Contains three pressed in dowel pins.  
 Note <sup>2</sup> - Contains a dowel pin used on the E494 only.  
 Note <sup>3</sup> - All labels are contained in the E492HK Hardware Kit.  
 Note <sup>4</sup> - E492HK Hardware Kit contains 10 pcs, Anchor Kits (Item #19) contain 2 pcs.  
 Note <sup>5</sup> - Item #22 includes items #15 and #16.

† Items included in and available only as part of Repair Kit E392SK.<sup>2</sup>  
 + Items included in and available only as part of Repair Kit E392GK2.  
 + Items included in and available only as part of Repair Kit E393GK2.  
 ★ Items included in and available only as part of Repair Kit E492CK.  
 ☆ Items included in and available only as part of Repair Kit E493CK.  
 ◆ Items included in and available only as part of Repair Kit E492HK.<sup>3</sup>  
 ○ Items included in and available only as part of Repair Kit DC7143900K.  
 ● Items included in and available only as part of Repair Kit E392PK.

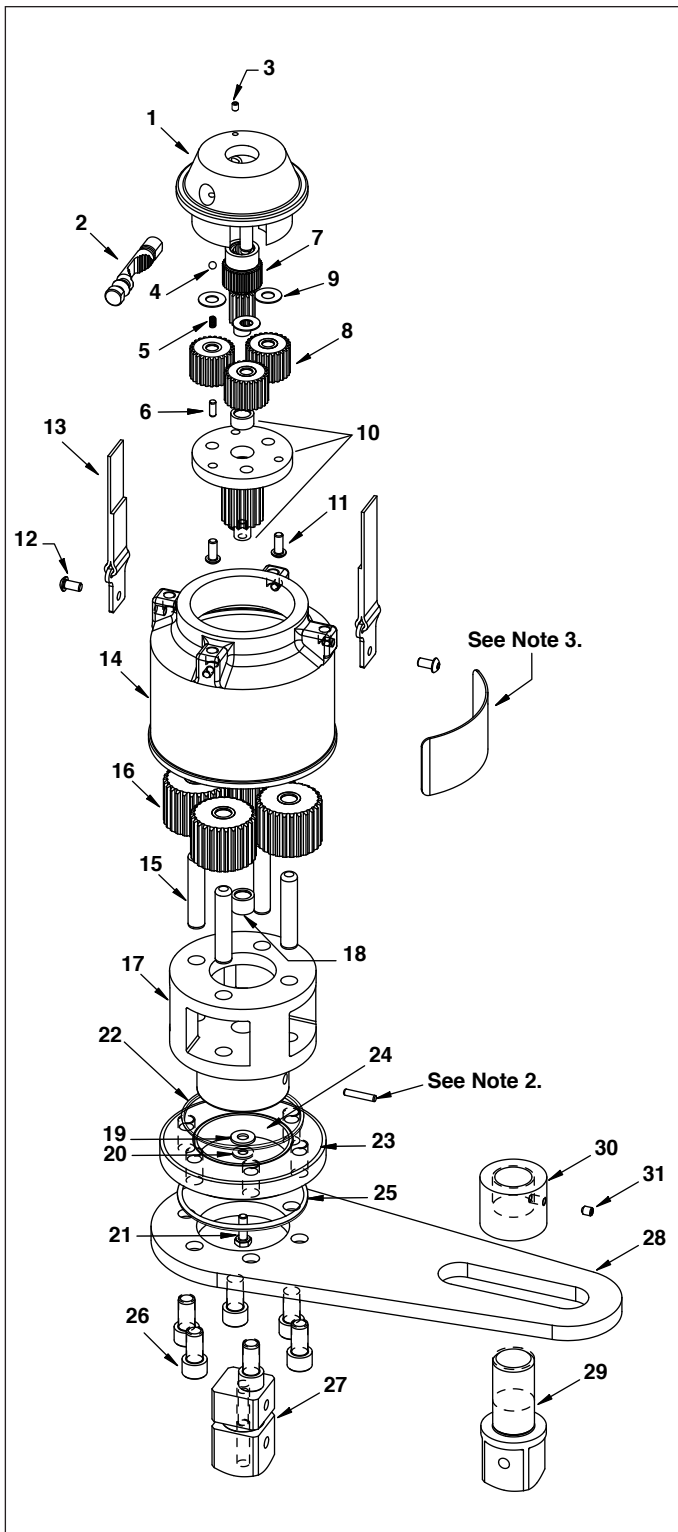


Figure 6, Model E494

### Repair Parts List for Model E494

| Item | Part Number         | Qty. | Description                  |
|------|---------------------|------|------------------------------|
| 1    | E494EK <sup>1</sup> | 1    | Input End Assembly           |
| 2    | †                   | 1    | Selector Pawl                |
| 3    | †                   | 1    | Set Screw                    |
| 4    | †                   | 1    | 7/32 Ball                    |
| 5    | †                   | 1    | Spring                       |
| 6    | †                   | 1    | Dowel Pin                    |
| 7    | E494PK              | 1    | Input Pinion                 |
| 8    | ★                   | 3    | Input Planetary Gear Kit     |
| 9    | ❖★                  | 3    | Thrust Washer                |
| 10   | DC7130900K          | 1    | Secondary Input Assy. Kit    |
| 11   | ❖                   | 3    | 1/4-28x5/8 BHC               |
| 12   | N/A                 | 2    | 1/4-20x1/2 BHC               |
| 13   | DC7132217K          | 1    | Strap                        |
| 14   | Not Serviceable     | 1    | Housing                      |
| 15   | ❖                   | 4    | Dowel Pin                    |
| 16   | ❖                   | 4    | Secondary Planetary Gear Kit |
| 17   | ■                   | 1    | Gear Cage                    |
| 18   | ■                   | 1    | Bearing                      |
| 19   | ❖                   | 1    | Thrust Washer                |
| 20   | ❖                   | 1    | Flat Washer                  |
| 21   | ❖                   | 1    | 1/4-20x1/2 HHC               |
| 22   | ❖                   | 1    | Thrust Race                  |
| 23   | Not Serviceable     | 1    | Reaction Mounting Plate      |
| 24   | DC7137155K          | 1    | Bushing                      |
| 25   | ❖                   | 1    | Retaining Ring               |
| 26   | ❖                   | 6    | 1/2-13x1 SHC                 |
| 27   | E494SDK             | 1    | Square Drive Kit             |
| 28   | DC7135101K          | 1    | Reaction Anchor Plate        |
| 29   | ◆                   | 1    | Slave Drive                  |
| 30   | ◆                   | 1    | Slave Drive Retainer         |
| 31   | ◆                   | 1    | Set Screw                    |

Note <sup>1</sup> - Contains four pressed in dowel pins.

Note <sup>2</sup> - E494SDK kit (item #27) includes dowel pin,  $\varnothing 3/16 \times 1.0$ .

Note <sup>3</sup> - All labels are contained in the E494HK Hardware Kits.

† Items included in and available only as part of Repair Kit E392SK.

❖ Items included in and available only as part of Repair Kit E494HK.

■ Items included in and available only as part of Repair Kit E494CK.

◆ Items included in and available only as part of Repair Kit DC7133900K.

★ Items included in and available only as part of Repair Kit E494GK1.

❖ Items included in and available only as part of Repair Kit E494GK2.

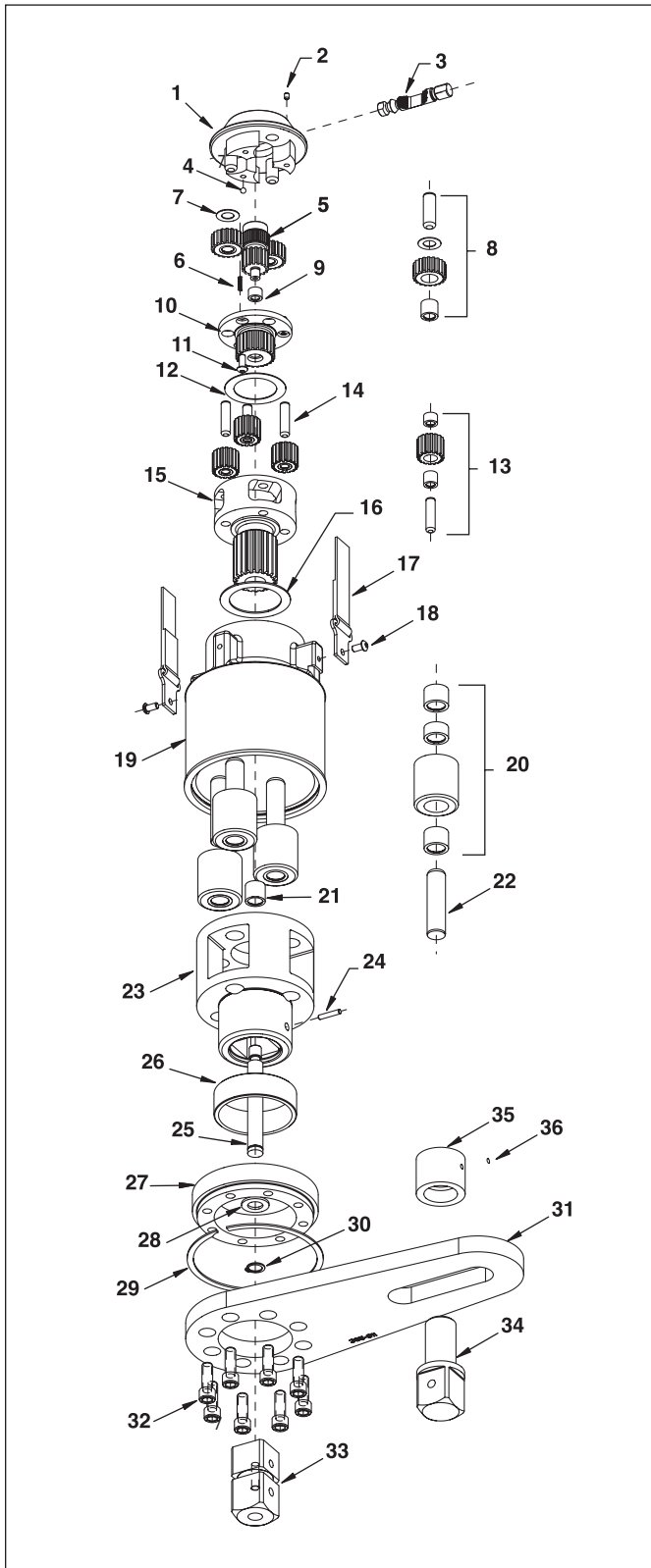


Figure 7, Model E495

### Repair Parts List for Model E495

| Item | Part Number          | Qty. | Description                  |
|------|----------------------|------|------------------------------|
| 1    | E392EK1 <sup>1</sup> | 1    | Input End Assembly           |
| 2    | †                    | 1    | Set Screw                    |
| 3    | †                    | 1    | Selector Pawl                |
| 4    | †                    | 1    | 7/32 Ball                    |
| 5    | ❖                    | 1    | Input Pinion                 |
| 6    | †                    | 1    | Spring                       |
| 7    | ★ ○                  | 3    | Thrust Washer                |
| 8    | ○                    | 3    | Planetary Gear Set           |
| 9    | ❖                    | 1    | Bearing                      |
| 10   | DC7134900K           | 1    | Secondary Input Assembly     |
| 11   | ★                    | 3    | 1/4-28x5/8 BHC               |
| 12   | ★                    | 1    | Thrust Washer                |
| 13   | ■                    | 4    | Secondary Planetary Gear Set |
| 14   | ■ ★                  | 4    | Dowel Pin                    |
| 15   | ▲                    | 1    | Tertiary Input Assembly      |
| 16   | ★                    | 1    | Thrust Washer                |
| 17   | DC7132217K           | 1    | Strap                        |
| 18   | N/A                  | 2    | 1/4-20x1/2 BHC               |
| 19   | Not Serviceable      | 1    | Housing                      |
| 20   | ⊕                    | 4    | Tertiary Planetary Gear Set  |
| 21   | ▲ ★                  | 1    | Bearing                      |
| 22   | ★ ⊕                  | 4    | Dowel Pin                    |
| 23   | E495CK               | 1    | Gear Cage Assembly           |
| 24   | See Note 4           | 1    | Dowel Pin                    |
| 25   | ★                    | 1    | Retaining Pin                |
| 26   | DC7138155K           | 1    | Bushing                      |
| 27   | Not Serviceable      | 1    | Reaction Mounting Plate      |
| 28   | ★                    | 1    | Thrust Washer                |
| 29   | ★                    | 1    | Retaining Ring               |
| 30   | ★                    | 1    | Retaining Ring               |
| 31   | 395-611              | 1    | Anchor Plate                 |
| 32   | ★                    | 8    | 7/16-14x1-1/4 SHC            |
| 33   | E495SDK <sup>4</sup> | 1    | Square Drive Kit             |
| 34   | ◆                    | 1    | Slave Drive                  |
| 35   | ◆                    | 1    | Slave Drive Retainer         |
| 36   | ◆                    | 1    | Set Screw                    |

Note <sup>1</sup> - Contains three pressed in dowel pins.

Note <sup>2</sup> - Contains a dowel pin used on the E494 only.

Note <sup>3</sup> - All labels are contained in the E495HK Hardware Kits.

Note <sup>4</sup> - E495SDK kit (item #33) includes dowel pin (item #24).

† Items included in and available only as part of Repair Kit E392SK.<sup>2</sup>

❖ Items included in and available only as part of Repair Kit E392PK.

★ Items included in and available only as part of Repair Kit E495HK.<sup>3</sup>

◆ Items included in and available only as part of Repair Kit DC7133900K.

○ Items included in and available only as part of Repair Kit E392GK1.

■ Items included in and available only as part of Repair Kit E392GK2.

⊕ Items included in and available only as part of Repair Kit E495GK.

▲ Items included in and available only as part of Repair Kit DC7131900K.

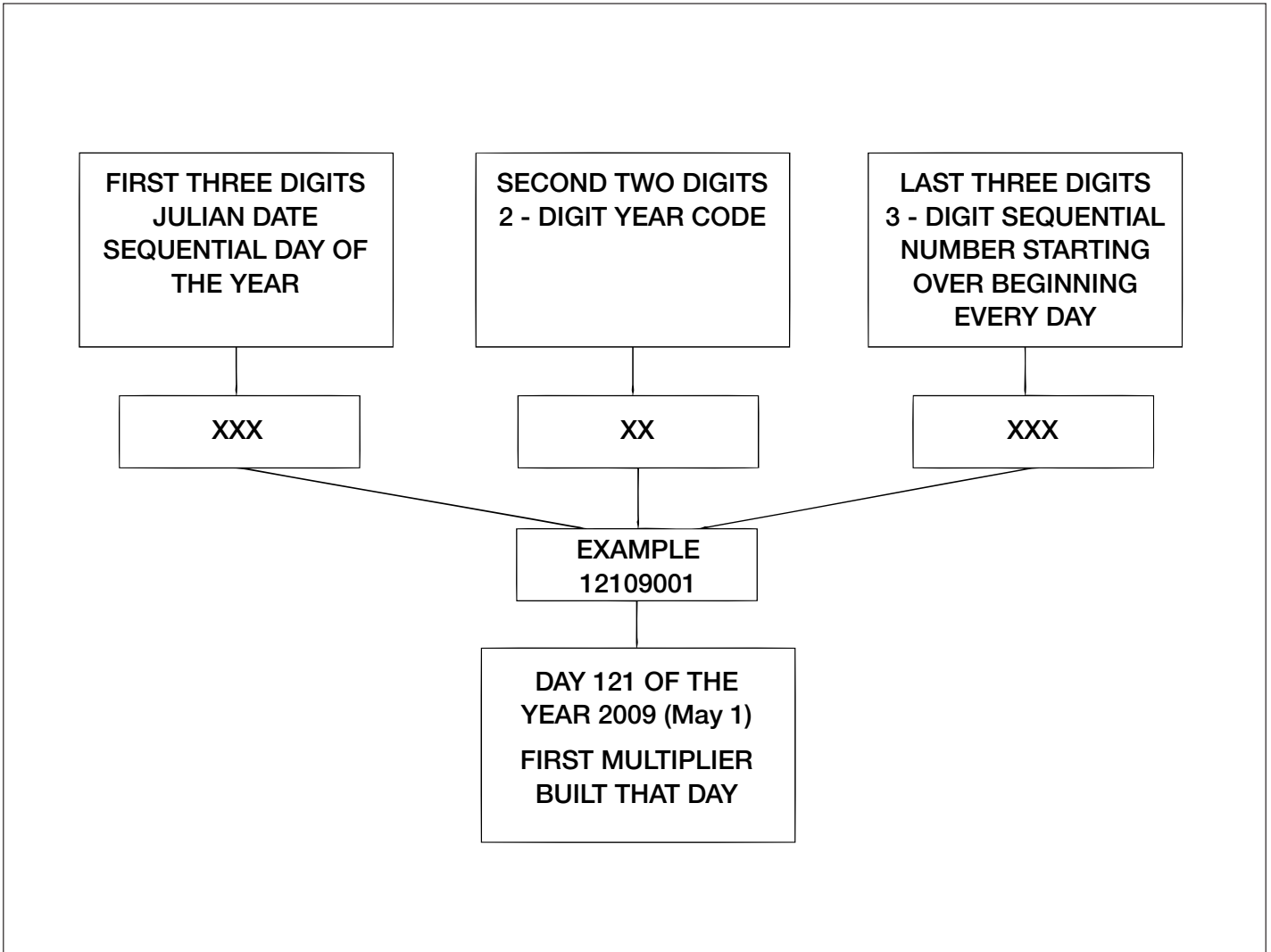


Figure 8, Julian Date Code, E-Series Torque Multipliers

**E-Series Product Date Code Notes:**

- Most E-Series torque multipliers manufactured May 2009 and later use a Julian style date code (see diagram above).
- Most E-Series torque multipliers manufactured before May 2009 use a standard Enerpac product date code, that begins with the letter "A".



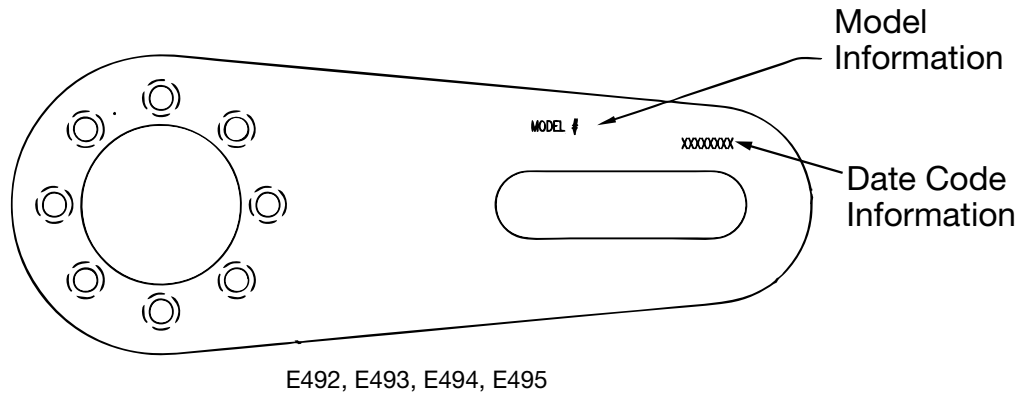
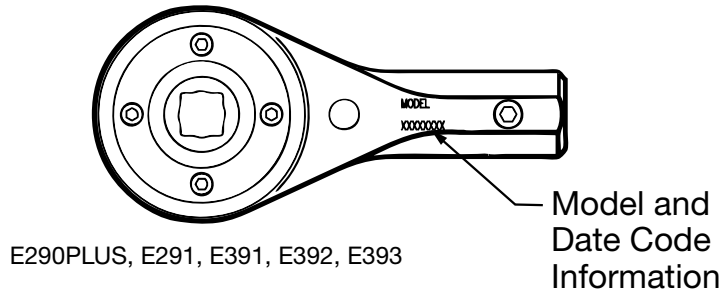


Figure 9, Model and Date Code Locations, E-Series Torque Multipliers (typical)





