

L2677 Rev. C 05/19

#### Index:

English	1-5
Français	6-11
Deutsch	12-17
Italiano	18-23
Español	24-29
Nederlands	30-35
Português	36-41
Suomi	42-47
Norsk	48-53
Svenska	54-59
中文	60-63
日本語	64-69
Polski	70-75

Repair Parts Sheets for this product are available from the Enerpac web site at [www.enerpac.com](http://www.enerpac.com), or from your nearest Authorized Enerpac Service Center or Enerpac Sales office.

#### 1.0 IMPORTANT RECEIVING INSTRUCTIONS

Visually inspect all components for shipping damage. Shipping damage is not covered by warranty. If shipping damage is found, notify carrier at once. The carrier is responsible for all repair and replacement costs resulting from damage in shipment.

#### SAFETY FIRST

#### 2.0 SAFETY ISSUES



Read all instructions, warnings and cautions carefully. Follow all safety precautions to avoid personal injury or property damage during system operation. Enerpac cannot be responsible for damage or injury resulting from unsafe product use, lack of maintenance or incorrect product and/or system operation. Contact Enerpac when in doubt as to the safety precautions and operations. If you have never been trained on high-pressure hydraulic safety, consult your distribution or service center for a free Enerpac Hydraulic safety course.

Failure to comply with the following cautions and warnings could cause equipment damage and personal injury.

A **CAUTION** is used to indicate correct operating or maintenance procedures and practices to prevent damage to, or destruction of equipment or other property.

A **WARNING** indicates a potential danger that requires correct procedures or practices to avoid personal injury.

A **DANGER** is only used when your action or lack of action may cause serious injury or even death.



**WARNING:** Maintain firm hand control of torque wrench or input handle when releasing multiplier, since recoil (wind-up) will be experienced.



**WARNING:** Prevent accidental torque release; set the neutral positioning set screw (Fig. 3, Item 2) flush with the top of the housing whenever the torque multiplier is operated MANUALLY. The selector pawl (Fig. 3, Item 3) must also operate freely in the CW and CCW positions. Personal injury could result if not set properly.



**WARNING:** Do not hold torque multiplier reaction bar or reaction plate (Fig. 1, Item 1) while applying torque. Normal multiplier deflection could create pinch a point.



**WARNING:** Prior to EACH use, verify accuracy of torque wrench. Torque multiplier output is many times greater. An inaccurate torque wrench can damage either the torque multiplier or your work.



**WARNING:** Prior to EACH use, check reaction plate/bar holding screws to insure they are tight (Fig. 1, Item 2).



**WARNING:** Prior to EACH use, inspect output square drive (Fig. 1, Item 4) for visible sign of fatigue or fracture. Replace if necessary.



**WARNING:** Failure of the output square drive, could result in an immediate torque release; the torque multiplier could fall from the fastener, and result in personal injury.



**WARNING:** When using an output drive extension (Reaction Plate models only), a double-ended reaction plate is required. Failure to use a double-ended reaction plate could cause the torque multiplier to be forced sideways on the application resulting in multiplier and/or socket breakage.



**WARNING:** Do not use output drive extensions on Reaction Bar models. Personal injury could result.



**WARNING:** Select an anchor point sufficient to withstand torque reaction forces. Reaction torque equals OUTPUT torque.



**WARNING:** Wear proper personal protective gear when operating hydraulic equipment.



**WARNING:** Stay clear of loads supported by hydraulics. A cylinder, when used as a load lifting device, should never be used as a load holding device. After the load has been raised or lowered, it must always be blocked mechanically.



**WARNING: USE ONLY RIGID PIECES TO HOLD LOADS.** Carefully select steel or wood blocks that are capable of supporting the load. Never use a hydraulic cylinder as a shim or spacer in any lifting or pressing application.



**WARNING:** Immediately replace worn or damaged parts by genuine ENERPAC parts. Standard grade parts will break causing personal injury and property damage. ENERPAC parts are designed to fit properly and withstand high loads.

### 3.0 INSTRUCTIONS



Read and understand these operating instructions before using the Torque Multiplier.

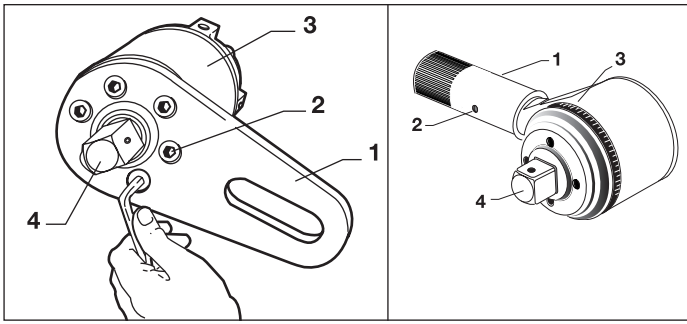
**NOTE: DO NOT USE AN IMPACT WRENCH ON THE TORQUE MULTIPLIER. DAMAGE TO TOOL WILL OCCUR.**

- When using a POWER driven input, lock selector pawl in neutral position using the neutral positioning set screw (Fig. 3 Item 2).
- When positioning the torque multiplier, be sure socket attached to the output is positioned so that the reaction plate is at a right angle to the fastener. Torque reaction creates a rotational force in the **opposite direction** from which input force is applied. See [Application Information](#) section 10.0 for additional torque multiplier reaction information.
- DO NOT apply more torque than the application can withstand. Breakout torque can be greater than input torque. Allow a minimum of 50% additional tool capacity for breakout torque. Damaged and corroded fasteners can require even greater breakout torque capacity.
- Monitor input torque using a torque wrench. If torque multiplier is used without a torque wrench, remember that output torque is significantly greater than the input torque.
- Increase Torque Multiplier life. Maintain the shortest possible couple distance between the Torque Multiplier Output (Fig. 6) and the fastener being addressed. Maintain the longest distance possible between the Torque Multiplier and reaction point as possible (Fig. 5).
- Protect your warranty, use Enerpac approved output square drives and replacement parts only.

### 4.0 SPECIFICATION TABLES

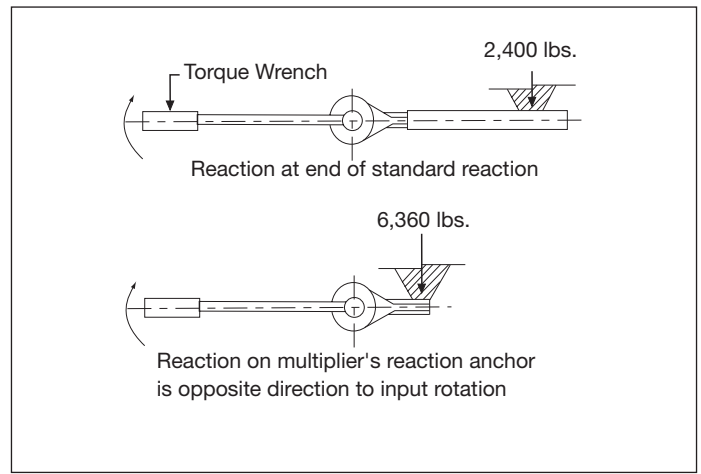
Model Numbers		E290PLUS	E291	E391	E392	E393
Output Capacity, Ft-Lb (Nm)		750 (1.020)	1,000 (1.358)	1,200 (1.627)	2,200 (2.983)	3,200 (4.340)
Input Capacity, Ft-Lb (Nm)		250 (339)	333 (451)	200 (271)	162 (220)	173 (234)
Torque Ratio		3:1	3:1	6:1	13.6:1	18.5:1
Accuracy		±5% of reading from 20% to 100% of full-scale rating				
Output Drive Male Square Size - Inch (mm)		.75 (19)	.75 (19)	.75 (19)	1 (25.4)	1 (25.4)
Input Drive Female Square Size - Inch (mm)		.5 (13)	.5 (13)	.5 (13)	.5 (13)	.5 (13)
Overall Dimensions Inch (mm) (see Fig. 2)	Length <b>A</b>	8.53 (217)	17.06 (443)	19.56 (497)	19.6 (498)	19.6 (498)
	Gearbox Ø <b>B</b>	2.81 (71)	2.81 (71)	3.94 (100)	4.06 (103)	4.06 (103)
	Height <b>C</b>	3.25 (83)	3.25 (83)	4.00 (102)	5.75 (146)	6.5 (165)
Net Weight Lb. (kg)		4 (1,8)	5.5 (2,5)	9.1 (4,1)	15.2 (6,9)	18.3 (8,3)
Planetary Gearing Stages		One	One	One	Two	Two
Needle Bearings		-	-	Yes	Yes	Yes
Angle-of-turn Protractor		No	No	Yes 5° incr	Yes 5° incr	Yes 5° incr
Torque Conversion Chart		No	No	Yes	Yes	Yes
Shearable Replaceable Output Drive		No	No	Yes	Yes	Yes

Model Numbers		E492	E493	E494	E495
Output Capacity, Ft-Lb (Nm)		2,200 (2.983)	3,200 (4.339)	5,000 (6.779)	8,000 (10.846)
Input Capacity, Ft-Lb (Nm)		162 (220)	173 (235)	189 (256)	154 (209)
Torque Ratio		13.6:1	18.5:1	26.5:1	52.1
Accuracy		±5% of reading from 20% to 100% of full-scale rating			
Output Drive Male Square Size - Inch (mm)		1 (25.4)	1 (25.4)	1.5 (38)	1.5 (38)
Input Drive Female Square Size - Inch (mm)		1/2 (13)	1/2 (13)	1/2 (13)	1/2 (13)
Overall Dimensions Inch (mm) (see Fig. 2)	Length <b>A</b>	14.0 (356)	14.0 (356)	14.88 (378)	15.2 (387)
	Gearbox Ø <b>B</b>	4.88 (124)	4.88 (124)	5.63 (143)	5.81 (148)
	Height <b>C</b>	5.5 (140)	6.41 (163)	8.75 (222)	10.75 (273)
Net Weight Lb. (kg)		17.2 (7,8)	19.5 (8,9)	34 (15,4)	50.3 (22,8)
Planetary Gearing Stages		Two	Two	Two	Three
Needle Bearings		Yes	Yes	Yes	Yes
Angle-of-turn Protractor		No	No	No	No
Torque Conversion Chart		Yes	Yes	Yes	Yes
Shearable Replaceable Output Drive		Yes	Yes	Yes	Yes

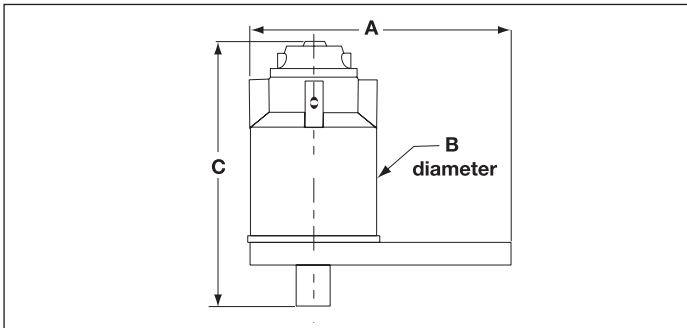


**Figure 1, Changing the Reaction Plate**

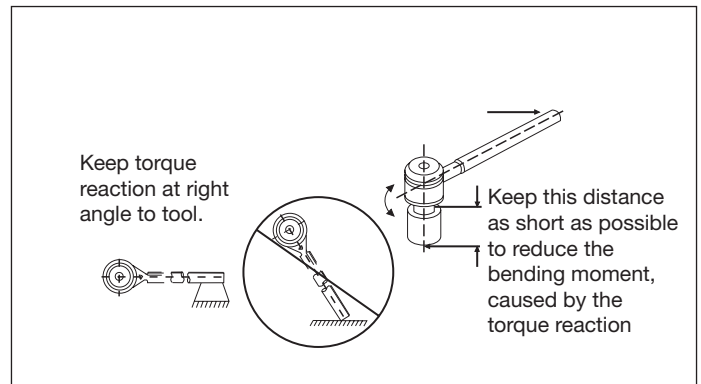
1. Reaction Plate / Reaction Bar
2. Socket Head Cap Screws
3. Torque Multiplier
4. Controlled-Shear Output Square Drive



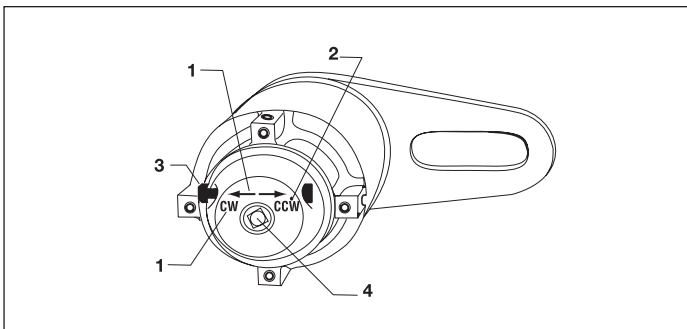
**Fig. 5, Reaction forces increase closer to the multiplier**



**Fig. 2, Torque Multiplier Dimensions**

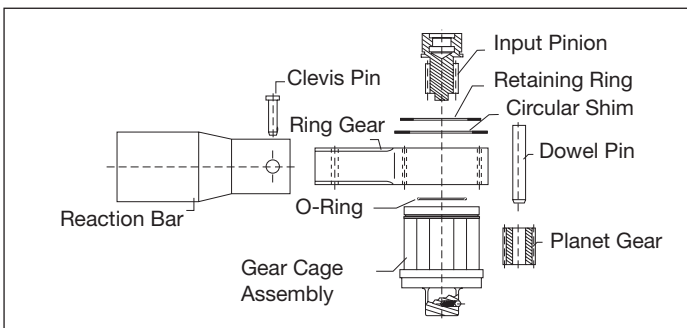


**Fig. 6, Minimize bending moments created by the torque multiplier's reaction**

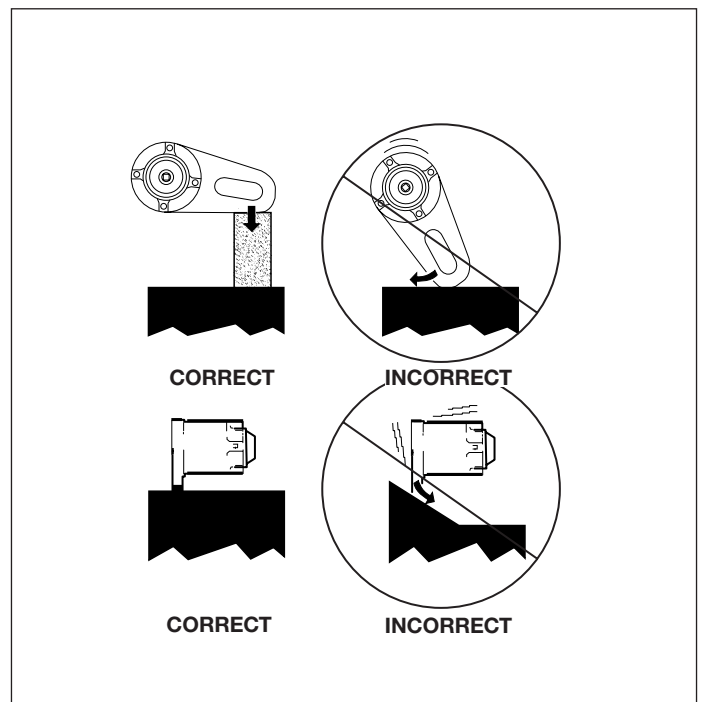


**Fig. 3, Input End Detail (shown set for CW rotation)**

1. Rotational direction indicators
2. Neutral positioning set screw
3. Selector pawl
4. 1/2-inch female input square drive



**Fig. 4**



**Fig. 7, Keep reaction anchor perpendicular to the reaction point.**

## 5.0 DESCRIPTION AND DESIGN FEATURES

Input and Output rotation directions are the same. (EXAMPLE: Clockwise input rotation creates clockwise output rotation). Torque multipliers use planetary gear action to tighten/loosen with a continuous 360° rotation in either clockwise or counterclockwise direction. An internal, bi-directional anti-backlash device inhibits accidental torque wind-up release (not available on E290+, E291, E391).

**NOTE:** Reaction force is equal to output force and is in the opposite direction of input/output rotation force.

Reaction bars are held in place using a detent pin or socket head cap screw, depending on model. Reaction plates are attached with socket head cap screws.

A controlled-shear output square drive (Fig. 1 Item 4) protects internal components in the event maximum output capacity is exceeded. This overload-protection feature causes the drive to fracture when output exceeds from 103% to 110% of rated output capacity. One replacement drive is included with the torque multiplier (E391, E392, E393, E492, E493, E494, E495). (Order additional replacements from your Enerpac distributor.)

Selector pawl (Fig. 3, Item 3) must be set in neutral position and the neutral position set screw (Fig. 3, Item 3) must be tightened to lock the selector pawl for power drive unit operation. It controls the torque multiplier's rotational direction for manually-applied input. (Not available on E290+, E291, E391 models). Do not use impact wrench for power driving, damage to multiplier power train will result.

## 6.0 TORQUE CONVERSIONS

A data plate attached to the torque multiplier displays input torque required to obtain listed output torque values. To calculate a specific input value not listed on the data plate, divide the desired output torque by the multiplier's torque ratio. See Specification Tables.

## 7.0 MANUAL OPERATION

1. **NOTE:** Reaction force is equal to output force and is in the opposite direction of input/output rotation.
2. Set desired rotation direction by pushing the selector pawl (Fig. 3, Item 3) in the direction indicated by the letters and directional arrows stamped on the input end case (Fig. 3, Item 1). EXAMPLE: "CCW" for counter-clockwise rotation, push pawl to end of travel in the direction shown by the "CCW" arrow. For clockwise rotation, push pawl in the opposite "CW" direction. (Not available on E290+, E291, E391 models).
3. Mount the proper size female square drive socket onto the torque multiplier's output square drive (Fig. 1, Item 4). Position socket and torque multiplier on the fastener to be tightened.
4. Reaction Plate Models: Place a proper size socket on the slave square drive and attach it to an adjacent fastener.  
Reaction Bar Models: Butt the reaction bar securely against a suitable object. **NOTE:** When socket is properly positioned on fastener, reaction bar must be at right angles to the fastener to which torque is being applied (Fig. 7). See Application Information section 10.0 for additional torque multiplier reaction information.
5. Tighten using a torque wrench: Determine the proper input torque required (refer to torque data plate on tool) or

reference section 4.0 Specification Tables. Output torque accuracy requires an accurate torque wrench in series with the torque multiplier. Apply torque with torque wrench until desired input torque is achieved (Fig. 5).



**WARNING:** Failure of the output square drive, due to torque overload or fatigue, could result in an immediate torque release, potentially causing the torque multiplier to fall from the fastener, and result in personal injury.

6. To remove torque multiplier from fastener:

**Anti-backlash models:** using a torque wrench, apply enough input torque to release internal anti-backlash device; maintain torque input and push selector pawl (Fig. 3, Item 3) into opposite position (EXAMPLE: Pawl set in "CW" position requires reset to "CCW" position). Slowly relax input torque. (Not available on E290+, E291, or E391 models).

**Standard models:** apply torque to desired rating, then slowly relax input torque and remove multiplier from application (E290+, E291, or E391 models).

7. Loosen using a torque wrench: Follow same procedure as for tightening except set the selector pawl in opposite position.

## 8.0 PNEUMATIC OPERATION

Use an approved **non-impact** power drive with models: (E391, E392, E393, E492, E493, E494 or E495 only). **Lock selector pawl in Neutral** position by centering between the "CW" and "CCW" positions and tightening the set-screw (fig 3, Item 2).

**NOTE:** Set in the proper position, the selector pawl WILL NOT move in either direction when the neutral position set screw is tightened.

## 9.0 REPLACING A SQUARE DRIVE ASSEMBLY

### 9.1 Models E290PLUS, E291

1. Remove Retaining ring and circular shims (figure 4) from input side of torque multiplier housing.
2. Remove gear cage assembly from ring gear (torque multiplier housing).
3. Remove input pinion from gear cage assembly with a pulling and twisting motion. Use an arbor press to remove dowel pins from planet gears (figure 4).
4. Replace gear cage assembly with genuine Enerpac replacement.
5. Reassemble planet gears into cage assembly using arbor press.
6. Lubricate all friction points with high-grade molybdenum-disulfide grease.
7. Reassemble input pinion, install assembly into ring gear (torque multiplier housing). Reassemble shims and retaining ring.

### 9.2 Models E391, E392, E393, E492, E493, E494, E495

1. Remove the screws (Fig. 1, Item 2) holding the reaction plate (Figure 1, Item 1) to the torque multiplier, and remove the reaction plate from the torque multiplier.
2. Remove the pin engaging the gear cage with the output square drive and remove old output square drive.
3. Insert replacement square drive assembly into square drive carrier, aligning the hole in the lower portion of the replacement square drive with the hole in the square drive carrier.

4. Insert pin through hole in square drive carrier and into hole in replacement square drive.
5. Re-attach reaction plate to torque multiplier with the screws previously removed (Fig. 1, Item 2).

## **10.0 APPLICATION INFORMATION**

### **10.1 Torque Multiplier Reaction**

1. Absorbing torque multiplier reaction forces can be accomplished using common practices noted here.
2. First consider the size and type of torque tool required for the application. Survey space limitations as well as the maximum torque needed. Allow a minimum of 50% additional capacity in the tool for breakout torque. NOTE: Damaged and corroded fasteners can require even greater breakout torque capacity. Allow a minimum of 100% over the make-up torque for these conditions. Example: Corroded studs and a 1,500 Ft-Lbs. make-up torque. Choose a tool with a capacity of at least 3,000 Ft-Lbs. for breakout.
3. Select a solid anchor point to minimize deflection. Determine where the reaction forces are going to take place (e.g. against a flange or over an adjacent bolt). NOTE: This point must withstand the torque tool's reaction forces. Example: A 3,200 Ft-Lb. torque multiplier, with reaction near the end of its anchor stub (figure 5) produces a reaction force of 6,400 pounds. Reduce the reaction force to 2,400 pounds by moving the reaction point toward the end of the reaction plate/bar. Keep the reaction point tangent to the rotation of the torque output to prevent increased reaction forces (figures 6 and 7).
4. Keep output torque rotation pure by reducing bending moments. Bending moments decrease torque efficiency and increase stress on the tool and sockets. Keep the distance between the tool's output and the fastener as short as possible (figure 6).
5. Increase tool life and increase working environment safety by taking torque reaction as far out on the reaction anchor as possible (Fig. 5).

### **10.2 ANGLE OF TURN PROTRACTOR**

Some torque multipliers include an Angle of Turn Protractor. This allows the operator to accurately measure a specific number of degrees of rotation of the fastener. The torque / angle of turn method of tightening fasteners requires a pre-torque value, and a specific additional rotation of the fastener, that is engineered into the application. This data will be supplied by the original equipment manufacturer's engineering department if angle of turn torquing is applicable.

L2677 Rev. C 05/19

Les vues éclatées de ce produit sont disponibles sur le site Enerpac [www.enerpac.fr](http://www.enerpac.fr). Vous pouvez également les obtenir auprès de votre réparateur agréé Enerpac ou auprès d'Enerpac même.

#### 1.0 INSTRUCTIONS IMPORTANTES RELATIVES À LA RÉCEPTION

Inspecter tous les composants pour vous assurer qu'ils n'ont subi aucun dommage en cours d'expédition. Les dommages subis en cours de transports ne sont pas couverts par la garantie. S'ils sont abîmés, aviser immédiatement le transporteur, qui est responsable des frais de réparation et de remplacement résultant de dommages en cours de transport.

#### LA SÉCURITÉ AVANT TOUT !

#### 2.0 SÉCURITÉ



Lire attentivement toutes les instructions et mises en garde et tous les avertissements. Suivre toutes les précautions pour éviter d'encourir des blessures personnelles ou de provoquer des dégâts matériels durant le fonctionnement du système. Enerpac ne peut pas être tenue responsable de dommages ou blessures résultant de l'utilisation risquée du produit, d'un mauvais entretien ou d'une application incorrecte du produit et du système. En cas de doute sur les précautions ou les applications, contacter Enerpac.

Respecter les mises en garde et avertissements suivants sous peine de provoquer des dégâts matériels et des blessures corporelles.

Une mise en garde **ATTENTION** sert à indiquer des procédures d'utilisation et de maintenance correctes qui visent à empêcher l'endommagement voire la destruction du matériel ou d'autres dégâts.

Un **AVERTISSEMENT** indique un danger potentiel qui exige la prise de mesures particulières visant à écarter tout risque de blessure.

La mention **DANGER** n'est utilisée que lorsqu'une action ou un acte de négligence risque de causer des blessures graves, voire mortelles.



**ATTENTION** : Maintenir un contrôle manuel ferme sur la clé dynamométrique ou sur la poignée lorsque le multiplicateur est relâché, car il y aura du recul.



**ATTENTION** : Éviter de relâcher le couple accidentellement ; régler les vis de positionnement sur le neutre (Fig. 3, article 2), égales avec le dessus du boîtier lorsque le multiplicateur de couple est actionné **MANUELLEMENT**. Le levier sélecteur (Fig. 3, article 3) doit aussi être manoeuvré librement sur la position CW et CCW. S'il est mal positionné, des blessures corporelles pourraient s'ensuivre.



**ATTENTION** : Ne pas tenir la barre ou la plaque de réaction du multiplicateur de couple (Fig. 1, article 1) pendant le serrage du couple. La déviation normale du multiplicateur pourrait créer un point de pincement.



**ATTENTION**: Avant chaque utilisation, vérifier la précision de la clé dynamométrique manuelle. Les multiplicateurs de couple augmentent fortement le couple, ce qui peut entraîner des dégâts au travail.



**ATTENTION** : Avant chaque utilisation, vérifier que les vis de retenue de la plaque ou de la barre de réaction soient bien serrés (Fig. 1, article 2).



**ATTENTION** : Avant **CHAQUE** utilisation, vérifier la sortie du carré d'entraînement (Fig. 1, article 4) pour détecter des signes éventuels de fatigue ou de fracture. Remplacer le cas échéant.



**ATTENTION** : Une panne de la sortie du carré d'entraînement pourrait avoir pour résultat le relâchement immédiat du couple, le multiplicateur de couple pourrait tomber de la fixation et occasionner une blessure corporelle.



**ATTENTION** : Lorsqu'une extension d'entraînement de sortie (modèles à plaque de réaction seulement) est utilisée, il faut une plaque de réaction à deux têtes. Si une plaque à réaction à deux têtes n'est pas utilisée, cela pourrait imposer un effort excessif aux côtés du multiplicateur de couple durant l'application avec pour conséquence le bris du multiplicateur et/ou de la douille. .



**ATTENTION** : Ne pas utiliser d'extension d'entraînement de sortie sur les modèles à barre de réaction. Des blessures corporelles pourraient survenir.



**ATTENTION** : Choisir un point d'ancrage suffisant pour supporter la réaction des forces de couple. Le couple de réaction équivaut pour le couple de SORTIE.



**AVERTISSEMENT** : Porter un équipement de protection personnelle adéquat pour utiliser un appareil hydraulique.



**AVERTISSEMENT** : Rester à l'écart de charges soutenues par un mécanisme hydraulique. Un vérin, lorsqu'il est utilisé comme monte-charge, ne doit jamais servir de support de charge. Après avoir monté ou abaissé la charge, elle doit être bloquée par un moyen mécanique.



### AVERTISSEMENT : UTILISER SEULEMENT DES PIÈCES RIGIDES POUR SOUTENIR LES CHARGES.

Sélectionner avec précaution des blocs d'acier ou de bois capables de supporter la charge. Ne jamais utiliser un vérin hydraulique comme cale ou intercalaire d'appui pour les applications de levage ou de pressage.



**AVERTISSEMENT :** Remplacer immédiatement les pièces usées ou endommagées par des pièces ENERPAC authentiques. Les pièces de qualité standard se casseront et provoqueront des blessures et des dégâts matériels. Les pièces ENERPAC sont conçues pour s'ajuster parfaitement et résister à de fortes charges.

### 3.0 DIRECTIVES



Lire et comprendre les directives d'opération avant d'utiliser le multiplicateur de couple.

### REMARQUE : NE PAS UTILISER UNE CLÉ À CHOCS SUR UN MULTIPLICATEUR DE COUPLE. L'OUTIL SUBIRAIT DES DOMMAGES

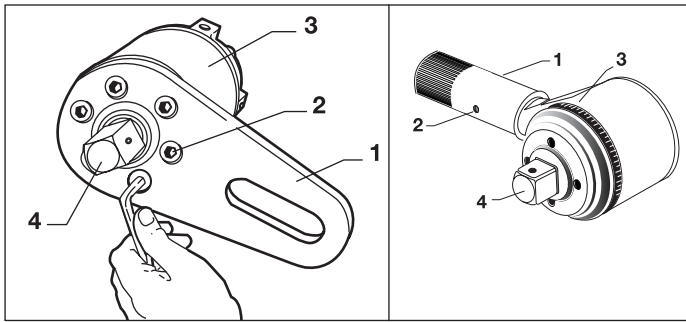
1. Lorsqu'une entrée entraînée mécaniquement est utilisée, verrouiller le cliquet du sélecteur sur la position neutre à l'aide de la vis de positionnement sur le neutre (Fig. 3, article 2).
2. Lorsque le multiplicateur de couple est positionné, s'assurer que la douille fixée à la sortie est placée de façon à ce que la plaque de réaction est dans le bon angle de la fixation. La réaction de couple forme une force de rotation dans la direction opposée de celle à laquelle la force d'entrée est soumise. Consulter la section 10.0, Informations sur l'application, pour obtenir de plus amples informations sur la réaction du multiplicateur de couple.
3. **NE PAS serrer plus que l'application ne peut supporter.** Le couple de rupture peut être plus fort que le couple d'entrée. Accorder un minimum de 50 % de capacité supplémentaire au couple de rupture. Les fixations endommagées et corrodées peuvent nécessiter une plus grande capacité de rupture de couple.
4. Surveiller le couple d'entrée à l'aide d'une clé dynamométrique. Si le multiplicateur de couple est utilisé sans une clé dynamométrique, ne pas oublier que le couple **de sortie** est plus grand que le **couple d'entrée**.
5. **Augmenter la durée du multiplicateur de couple.** Maintenir la plus courte distance de couple possible entre la sortie du multiplicateur de couple (Fig. 6) et la fixation traitée. Maintenir la plus longue distance de couple possible entre le multiplicateur de couple et le point de réaction (Fig. 5).
6. Protégez votre garantie, utilisez uniquement des carrés d'entraînement de sortie et des pièces de remplacement approuvés par Enerpac.

#### 4.0 TABLEAU DE SPÉCIFICATIONS

Numéro du Modèle		E290PLUS	E291	E391	E392	E393
Capacité de sortie, Nm (pi-lb)		1.020 (750)	1.358 (1,000)	1.627 (1,200)	2.983 (2,200)	4.340 (3,200)
Capacité d'entrée, Nm (pi-lb)		339 (250)	451 (333)	271 (200)	220 (162)	234 (173)
Coefficient de couple		3:1	3:1	6:1	13.6:1	18.5:1
Précision		± 5 % de lecture entre 20 % et 100 % de valeur nominale à pleine échelle				
Dimension du carré d'entraînement de sortie mâle – mm (pouce)		19 (.75)	19 (.75)	19 (.75)	25.4 (1)	25.4 (1)
Dimension du carré d'entraînement de sortie femelle – mm (pouce)		13 (.5)	13 (.5)	13 (.5)	13 (.5)	13 (.5)
Dimensions générales mm (pouce) (voir Fig. 2)	Longueur <b>A</b>	217 (8.53)	443 (17.06)	497 (19.56)	498 (19.6)	498 (19.6)
	Boîte de vitesses Ø <b>B</b>	71 (2.81)	71 (2.81)	100 (3.94)	103 (4.06)	103 (4.06)
	Hauteur <b>C</b>	83 (3.25)	83 (3.25)	102 (4.00)	146 (5.75)	165 (6.5)
Poids net kg (lb)		1,8 (4)	2,5 (5.5)	4,1 (9.1)	6,9 (15.2)	8,3 (18.3)
Phases de l'engrenage planétaire		Un	Un	Un	Deux	Deux
Roulements à aiguilles		–	–	Oui	Oui	Oui
Rapporteur d'angle de virage		Non	Non	Oui aug. 5°	Oui aug. 5°	Oui aug. 5°
Tableau de conversion de couple		Non	Non	Oui	Oui	Oui
Entraînement de sortie remplaçable cisailable		Non	Non	Oui	Oui	Oui

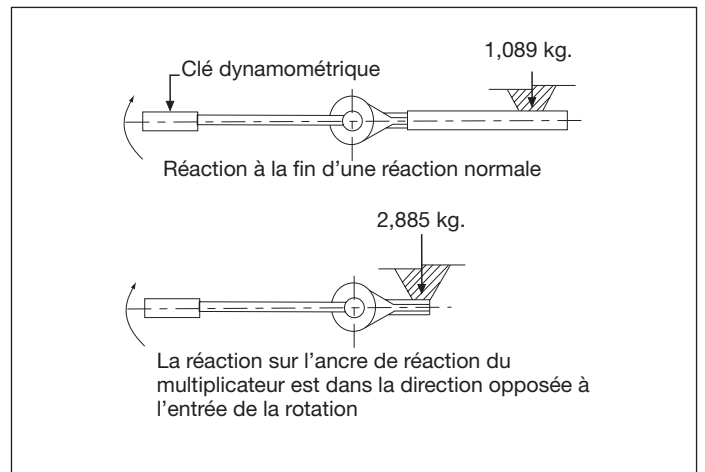
Numéro du Modèle		E492	E493	E494	E495
Capacité de sortie, Nm (pi-lb)		2.983 (2,200)	4.339 (3,200)	6.779 (5,000)	10.846 (8,000)
Capacité d'entrée, Nm (pi-lb)		220 (62)	235 (173)	256 (189)	209 (154)
Coefficient de couple		13.6:1	18.5:1	26.5:1	52.1
Précision		± 5 % de lecture entre 20 % et 100 % de valeur nominale à pleine échelle			
Dimension du carré d'entraînement de sortie mâle – mm (pouce)		25.4 (1)	25.4 (1)	38 (1.5)	38 (1.5)
Dimension du carré d'entraînement de sortie femelle – mm (pouce)		13 (1/2)	13 (1/2)	13 (1/2)	13 (1/2)
Dimensions générales mm (pouce) (voir Fig. 2)	Longueur <b>A</b>	356 (14.0)	356 (14.0)	378 (14.88)	387 (15.2)
	Boîte de vitesses Ø <b>B</b>	124 (4.88)	124 (4.88)	143 (5.63)	148 (5.81)
	Hauteur <b>C</b>	140 (5.5)	163 (6.41)	222 (8.75)	273 (10.75)
Poids net kg (lb)		7,8 (17.2)	8,9 (19.5)	15,4 (34)	22,8 (50.3)
Phases de l'engrenage planétaire		Deux	Deux	Deux	Trois
Roulements à aiguilles		Oui	Oui	Oui	Oui
Rapporteur d'angle de virage		Non	Non	Non	Non
Tableau de conversion de couple		Oui	Oui	Oui	Oui
Entraînement de sortie remplaçable cisailable		Oui	Oui	Oui	Oui



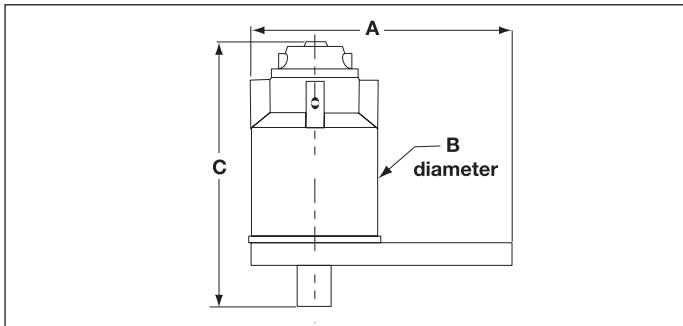


**Figure 1, Remplacement de la plaque de réaction**

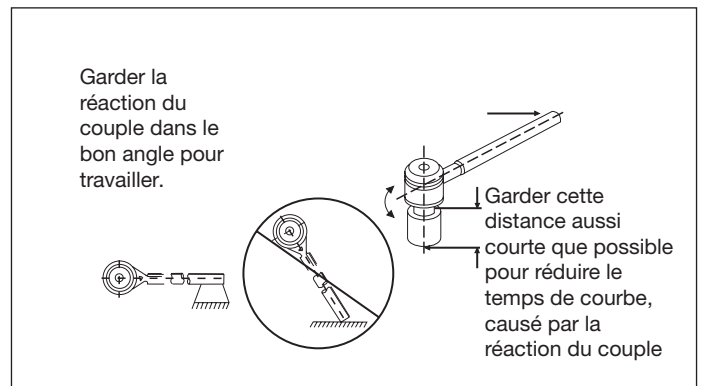
1. Plaque de réaction / Barre de réaction
2. Vis d'assemblage à six pans creux
3. Multiplicateur de couple
4. Sortie de carré d'entraînement à cisaillement contrôlé



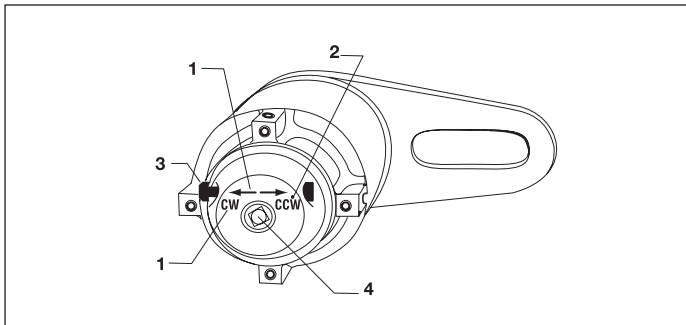
**Fig. 5, Les forces de réaction augmentent à proximité du multiplicateur**



**Fig. 2, Dimensions du multiplicateur de couple**

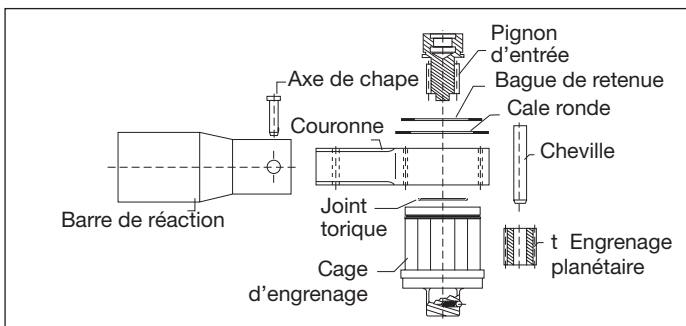


**Fig. 6, Minimiser le temps de courbe créé par la réaction du multiplicateur de couple**

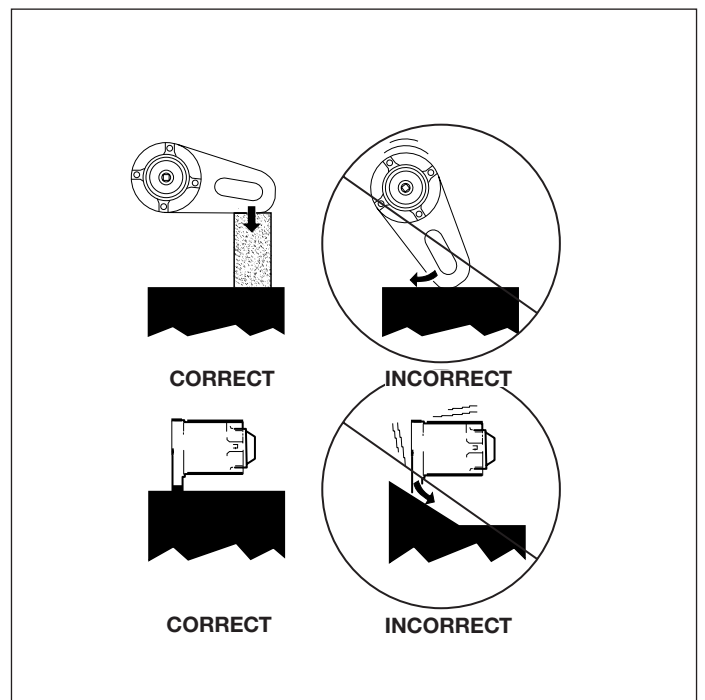


**Fig. 3, Détail d'extrémité d'entrée (réglée pour une rotation CW sur l'illustration)**

1. Indicateurs de direction de rotation
2. Vis de calage de positionnement neutre
3. Cliquet de sélecteur
4. Entrée femelle 1/2 pouce du carré d'entraînement



**Fig. 4**



**Fig. 7, Garder l'ancrage de réaction perpendiculaire au point de réaction**

## 5.0 DESCRIPTION ET CARACTÉRISTIQUES

Les directions de rotation d'entrée et de sortie sont les mêmes. (EXEMPLE : La rotation d'entrée dans le sens des aiguilles d'une montre créé la rotation de sortie dans le sens des aiguilles d'une montre). Les multiplicateurs de couple utilisent le mouvement de l'engrenage planétaire pour serrer ou desserrer dans une rotation continue de 360° soit dans le sens des aiguilles d'une montre ou dans le sens contraire aux aiguilles d'une montre. Un dispositif interne bidirectionnel, à rattrapage, empêche le recul accidentel du couple (non disponible sur E290+, E291, E391).

**REMARQUE :** La force de réaction est égale à la force de sortie et est dans le sens opposé de la force de rotation entrée/sortie.

En fonction du modèle, les barres de réaction sont tenues en place à l'aide d'une cheville d'arrêt ou d'une vis d'assemblage à six pans creux. Les plaques de réaction sont fixées avec des vis d'assemblage à six pans creux.

Un carré d'entraînement de sortie à cisaillement contrôlé (Fig. 1, article 4) protège les composants internes au cas où la capacité de sortie maximale est dépassée. Cette protection de surcharge cause la fracture de l'entraînement lorsque la sortie excède de 103 % à 110 % de la capacité de sortie évaluée. Un entraînement de remplacement est inclus avec le multiplicateur de couple (E391, E392, E393, E492, E493, E494, E495). (Il est possible de commander des remplacements supplémentaires auprès du distributeur Enerpac.)

Le levier sélecteur (Fig. 3, article 3) doit être fixé sur la position neutre et la vis de fixation en position neutre (Fig. 3, article 3) doit être serrée afin de verrouiller le levier sélecteur pour que le mécanisme d'entraînement fonctionne. Il contrôle le sens de rotation du multiplicateur de couple pour l'entrée appliquée manuellement. (Non disponible sur les modèles E290+, E291 et E391). Ne pas utiliser de clé à chocs pour le mécanisme d'entraînement, car des dommages pourraient survenir au motopropulseur du multiplicateur.

## 6.0 CONVERSIONS DE COUPLE

Une plaque d'information fixée au multiplicateur de couple indique le couple d'entrée nécessaire pour obtenir les valeurs de couple de sortie énumérées. Afin de calculer une valeur d'entrée spécifique n'étant pas indiquée sur la plaque d'information, diviser le couple de sortie désiré par le ratio de couple du multiplicateur. Consulter les tables de spécifications.

## 7.0 FONCTIONNEMENT MANUEL

1. **REMARQUE :** La force de réaction, qui est égale à la force de sortie, est dans le sens opposé de la rotation entrée/sortie.
2. Fixer le sens désiré de la rotation en poussant le levier sélecteur (Fig. 3, article 3) dans la direction indiqué par les lettres et les flèches directionnelles estampées sur le boîtier à l'entrée (Fig. 3, article 1). EXEMPLE : Pour la rotation dans le sens contraire aux aiguilles d'une montre, pousser le levier jusqu'au bout dans le sens indiqué par la flèche « CCW ». Pour une rotation dans le sens des aiguilles d'une montre, pousser le levier dans la direction « CW » opposée. (Non disponible sur les modèles E290+, E291 et E391).
3. Installer la douille femelle du carré d'entraînement de la bonne grandeur sur la sortie du carré d'entraînement du multiplicateur de couple (Fig. 1, article 4). Placer la douille et le multiplicateur de couple sur la fixation pour la serrer.

4. Modèles à plaque de réaction : Mettre une douille de la bonne grandeur sur le carré d'entraînement secondaire et la fixer à une attache adjacente.

Modèles à barre de réaction : Abouter la barre de réaction contre un objet adéquat. **REMARQUE :** Lorsque la douille est correctement positionnée sur la fixation, la barre de réaction doit être dans le bon angle de la fixation à laquelle le couple est appliqué (Fig. 7). Consulter la section 10.0, Informations sur l'application, pour obtenir de plus amples informations sur la réaction du multiplicateur de couple.

5. Serrer avec une clé dynamométrique : Déterminer quel est le bon couple d'entrée requis (consulter la plaque d'information de couple sur l'outil) ou consulter les tables de spécification de la section 4.0. La précision du couple de sortie exige une clé dynamométrique précise en série avec le multiplicateur de couple. Appliquer le couple avec une clé dynamométrique jusqu'à l'obtention du couple d'entrée désirée (Fig. 5).



**ATTENTION :** Une panne de la sortie du carré d'entraînement pourrait entraîner une surcharge ou la fatigue du couple, ce qui entraînerait le relâchement immédiat du couple et éventuellement le multiplicateur de couple pourrait tomber de la fixation et entraîner une blessure corporelle.

6. Pour enlever le multiplicateur de couple d'une fixation :  
**Modèles sans recul** : à l'aide d'une clé dynamométrique, serrer suffisamment pour libérer le dispositif anti-recul ; maintenir l'entrée de couple et pousser le levier sélecteur (Fig. 3, article 3) dans la position opposée (EXEMPLE : Régler le levier sur la position « CW » nécessite de régler la position « CCW »). Tranquillement relâcher le couple d'entrée. (Non disponible sur les modèles E290+, E291 et E391).  
**Modèles standard** : appliquer le couple à la valeur désirée, puis lentement libérer le couple d'entrée et enlever le multiplicateur de l'application (modèles E290+, E291 ou E391).
7. Desserrer avec une clé dynamométrique ; Suivre la même procédure que pour le serrage excepté que le levier du sélecteur doit être placé à l'opposé.

## 8.0 FONCTIONNEMENT PNEUMATIQUE

Utilise un moteur d'entraînement sans choc approuvé pour les modèles: (E391, E392, E393, E492, E493, E494 ou E495 seulement). **Verrouiller le levier sélecteur sur la position neutre** en centrant entre la position « CW » et « CCW » et serrer les vis de fixation (fig. 3, article 2).

**REMARQUE :** Régler sur la position appropriée, le levier sélecteur NE se déplacera dans aucune direction lorsque la vis de fixation est serrée sur la position neutre.

## 9.0 REMPLACEMENT D'UN CARRÉ D'ENTRAÎNEMENT

### 9.1 Modèles E290PLUS, E291

1. Enlever la bague de retenue et les cales rondes (figure 4) du côté de l'entrée du boîtier du multiplicateur de couple.
2. Enlever le carter d'engrenage de la rondelle d'engrenage (boîtier du multiplicateur de couple).
3. Effectuer un mouvement de torsion et tirer pour enlever le pignon d'entrée du carter d'engrenage. Utiliser une presse à mandriner pour enlever les chevilles des engrenages planétaires (figure 4).

4. Remplacer le carter d'engrenage avec une pièce de remplacement Enerpac originale.
5. Remonter les engrenages planétaires dans le carter à l'aide de la presse à mandriner.
6. Lubrifier tous les points de friction avec une graisse de sulfure de molybdène de qualité supérieure.
7. Remonter le pignon d'entrée, installer l'ensemble sur la rondelle d'engrenage (boîtier du multiplicateur de couple). Remonter les câbles et la bague de retenue.

## 9.2 Modèles E391, E392, E393, E492, E493, E494, E495

1. Enlever les vis (Fig. 1, article 2) qui retiennent la plaque de réaction (Figure 1, article 1) au multiplicateur de couple et enlever la plaque de réaction du multiplicateur de couple.
2. Enlever la goupille qui engage le carter d'engrenage avec le carré d'entraînement de sortie et enlever le vieux carré d'entraînement de sortie.
3. Insérer le carré d'entraînement de remplacement dans le porteur du carré d'entraînement, aligner l'orifice de la partie inférieure du carré d'entraînement de remplacement avec l'orifice du porteur du carré d'entraînement.
4. Insérer la goupille dans l'orifice du porteur du carré d'entraînement et dans l'orifice du carré d'entraînement de remplacement.
5. Rattacher la plaque de réaction au multiplicateur de couple avec les vis enlevées auparavant (Fig. 1, article 2).

## 10.0 INFORMATION SUR L'APPLICATION

### 10.1 Réaction du multiplicateur de couple

1. L'absorption des forces de réaction du multiplicateur de couple peut s'accomplir en appliquant les conseils indiqués ici.
2. D'abord, considérer la taille et le type d'outil de serrage nécessaires pour l'application. Étudier l'espace disponible ainsi que le couple maximum nécessaire. Accorder un minimum de 50 % de capacité supplémentaire dans l'outil pour le couple de rupture. REMARQUE : Les fixations endommagées et corrodées peuvent nécessiter une plus grande capacité de rupture de couple. Accorder un minimum de 100 % de rattrapage de couple pour ces conditions. Exemple : Les goujons corrodés et un rattrapage de couple de 1 500 pi-lb. Choisir un outil avec une capacité d'au moins 3 000 pi-lb pour la rupture.
3. Choisir un point d'ancrage solide pour réduire la déviation. Établir où les forces de réaction auront lieu (p. ex. contre une collerette ou sur un boulon adjacent). REMARQUE : Ce point doit supporter les forces de réaction de l'outil de serrage. Exemple : Un multiplicateur de couple de 3 200 pi-lb, avec une réaction proche du point d'ancrage (figure 5) produit une force de réaction de 6 400 livres. Réduire la force de réaction à 2 400 livres en déplaçant le point de réaction vers l'extrémité de la plaque ou de la barre de réaction. Maintenir le point de réaction tangent à la rotation de la sortie de couple afin d'empêcher les forces de réaction d'augmenter (figures 6 et 7).
4. Garder la rotation de couple de sortie pure en réduisant le temps de courbe. Les temps de courbe réduisent l'efficacité du couple et augmentent le stress sur l'outil et les douilles. Maintenir une distance aussi courte que possible entre la sortie de l'outil et la fixation (figure 6).

### 10.2 RAPPORTEUR D'ANGLE DE TOUR

Certains multiplicateurs de couple sont dotés d'un rapporteur d'angle de tour. Ceci permet à l'opérateur de mesurer avec précision un nombre particulier de degrés de rotation de la fixation. La méthode de serrage des fixations de couple / angle de tour exige une valeur avant-couple et une rotation spécifique supplémentaire de la fixation, qui est mise au point dans l'application. Cette information sera fournie par le service d'ingénierie du fabricant de l'équipement original si un angle de tour de serrage est applicable.

L2677 Rev. C 05/19

Das Ersatzteilblatt für dieses Produkt finden Sie auf der Enerpac Website [www.enerpac.com](http://www.enerpac.com), oder bei Ihrem nächstgelegenen autorisierten Enerpac Service Center oder einem Enerpac Vertriebsbüro.

#### 1.0 WICHTIGE VERFAHRENSHINWEISE FÜR DEN EMPFANG:

Alle Komponenten auf sichtbare Transportschäden inspizieren. Transportschäden sind nicht von der Garantie gedeckt. Werden solche Schäden festgestellt, ist unverzüglich das Transportunternehmen zu verständigen. Das Transportunternehmen ist für alle Reparatur- und Ersatzkosten, die auf Transportschäden zurückzuführen sind, verantwortlich.

#### SICHERHEIT GEHT VOR

#### 2.0 SICHERHEITSFRAGEN



Alle Anleitungen, Warnungen und Vorsichtshinweise sorgfältig durchlesen. Beachten Sie alle Sicherheitsvorkehrungen, um Verletzungen oder Sachschäden während des Systembetriebs zu vermeiden. Enerpac ist weder für Schäden noch Verletzungen haftbar, die durch einen fahrlässigen Gebrauch des Produkts, mangelhafte Instandhaltung oder eine unvorschriftsmäßige Anwendung des Produkts und/oder des Systems verursacht werden. Bei evtl. Fragen in bezug auf Sicherheitsvorkehrungen und Betriebsabläufe wenden Sie sich bitte an ENERPAC. Wenn Sie an keinerlei Sicherheitsschulungen im Zusammenhang mit Hochdruckhydraulikanlagen teilgenommen haben, fordern Sie von Ihrer Vertriebs- und Kundendienstzentrale einen kostenlosen Enerpac-Hydraulik-Sicherheitskurs an.

Ein Mißachten der folgenden Vorsichtshinweise und Warnungen kann zu Geräteschäden und Verletzungen führen.

Mit einem **VORSICHTSHINWEIS** wird auf ordnungsgemäße Betriebs- oder Wartungsverfahren und -praktiken hingewiesen, um Schäden an den Geräten oder anderen Sachwerten bzw. deren Zerstörung zu vermeiden.

Eine **WARNUNG** verweist auf eine potentielle Verletzungsgefahr, die durch ordnungsgemäße Verfahren oder Praktiken vermieden werden kann.

Ein **GEFAHRENSHINWEIS** wird nur dann gegeben, wenn eine bestimmte Handlung oder die Unterlassung einer bestimmten Handlung schwere oder tödliche Verletzungen zur Folge haben kann.



**WARNUNG:** Sorgen Sie für sichere Handkontrolle des Drehmomentschlüssels oder des Antriebsgriffs, wenn Sie den Vervielfältiger freigeben, da ein Zurückschnellen (der aufgebauten Spannung) erfolgt.



**WARNUNG:** Verhindern Sie versehentliches Freigeben des Drehmoments; stellen Sie die Einstellschraube für die Neutralpositionierung (Abb. 3, Punkt 2) eben mit der Oberseite des Gehäuses ein, wenn der Drehmoment-Vervielfältiger MANUELL betätigt wird. Der Wählhebel (Abb. 3, Punkt 3) muss ebenfalls in den Positionen im Uhrzeigersinn (CW)



und entgegen dem Uhrzeigersinn (CCW) frei betätigt werden können. Bei falscher Einstellung kann es zu Verletzungen kommen.



**WARNUNG:** Halten Sie die Reaktionsstange oder die Reaktionsplatte des Drehmoment-Vervielfältigers (Abb. 1, Punkt 1) nicht, während Sie ein Drehmoment aufwenden. Die normale Durchbiegung des Vervielfältigers kann zu Quetschen eines Punkts führen.



**WARNUNG:** Überprüfen Sie vor jedem Gebrauch die Genauigkeit des manuellen Drehmomentschlüssels. Drehmoment-Vervielfältiger erhöhen das Drehmoment erheblich; Schäden am Werkstück können entstehen.



**WARNUNG:** Überprüfen Sie vor JEDER Verwendung die Halteschrauben der Reaktionsplatte/Reaktionsstange, um sicherzustellen, dass sie fest sind (Abb. 1, Punkt 2).



**WARNUNG:** Überprüfen Sie vor JEDER Verwendung den Abtriebsvierkant (Abb. 1, Punkt 4) auf sichtbare Anzeichen von Materialermüdung oder Bruch. Tauschen Sie ihn nötigenfalls aus.



**WARNUNG:** Ein Ausfall des Abtriebsvierkants kann zu einem sofortigen Freigeben des Drehmoments führen; der Drehmoment-Vervielfältiger könnte vom Befestigungselement fallen und es kann zu Verletzungen kommen.



**WARNUNG:** Bei Verwendung einer Abtriebsvierkantverlängerung (nur Modelle mit Reaktionsplatte), ist eine doppelendige Reaktionsplatte erforderlich. Bei Nichtverwendung einer doppelendigen Reaktionsplatte kann der Drehmoment-Vervielfältiger bei der Anwendung zur Seite gedrückt werden, was zu einem Bruch des Vervielfältigers und/oder des Einsatzes führt.



**WARNUNG:** Verwenden Sie keine Abtriebsvierkantverlängerungen bei Modellen mit Reaktionsstange. Es könnte zu Verletzungen kommen.



**WARNUNG:** Wählen Sie einen ausreichenden Ankerpunkt, der den Drehmomentreaktionskräften standhalten kann. Das Reaktionsmoment entspricht dem ABTRIEBS-Moment.



**WARNUNG:** Beim Betrieb hydraulischer Anlagen geeignete Schutzkleidung und -ausrüstung tragen.



**WARNUNG:** Von Lasten fernhalten, die durch ein Hydrauliksystem abgestützt werden. Ein als Lastenhebergerät eingesetzter Zylinder darf niemals als ein Lastenhaltergerät verwendet werden. Nach Heben oder Senken der Last muß diese stets auf mechanische Weise gesichert werden.



**WARNUNG ZUM SICHERN VON LASTEN STETS NUR STARRE TEILE VERWENDEN.** Zum Abstützen von Lasten sorgfältig dazu geeignete Stahl- oder Holzblöcke auswählen. Bei Hebe- oder Drückenwendungen keinesfalls einen Hydraulikzylinder als Abstandsstück oder -halter verwenden.



**WARNUNG:** Abgenutzte oder beschädigte Teile unverzüglich durch ENERPAC-Originalteile ersetzen. Standardteile anderer Hersteller versagen und verursachen Verletzungen und Sachschäden. ENERPAC-Teile werden so konstruiert, daß sie richtig passen und hohen Lasten standhalten.

### 3.0 ANLEITUNG



Lesen Sie diese Betriebsanleitung sorgfältig durch, bevor Sie den Drehmoment-Vervielfältiger benutzen.

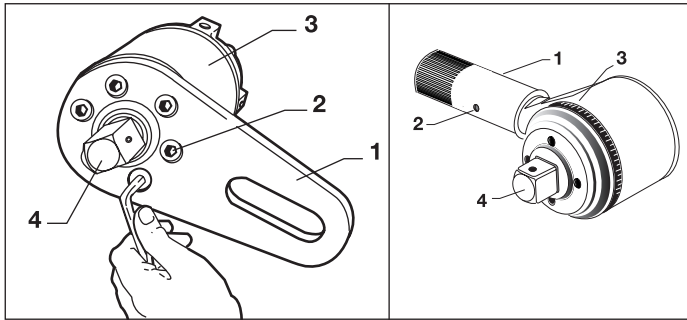
#### **HINWEIS: VERWENDEN SIE KEINEN SCHLAGSCHRAUBER AM DREHMOMENT-VERVIELFÄLTIGER. DIES FÜHRT ZU SCHÄDEN AM WERKZEUG.**

1. Bei Verwendung eines ELEKTRISCH betriebenen Antriebs, verriegeln Sie den Wählhebel mithilfe der Einstellschraube für die Neutralpositionierung (Abb. 2, Punkt 2) in der neutralen Position.
2. Achten Sie beim Positionieren des Drehmoment-Vervielfältigers darauf, dass der am Abtrieb angebrachte Einsatz so positioniert ist, dass die Reaktionsplatte sich im rechten Winkel zum Befestigungselement befindet. Die Drehmomentreaktion sorgt für eine Rotationskraft in die der aufgewandten Antriebskraft entgegengesetzten Richtung. Weitere Informationen zur Drehmoment-Vervielfältigerreaktion finden Sie im Abschnitt 10.0 "Anwendungsinformationen".
3. Wenden Sie NICHT mehr Drehmoment auf, als die Anwendung aushalten kann. Das Anlaufmoment kann größer als das Antriebsmoment sein. Sorgen Sie für mindestens **50% zusätzliche** Werkzeugkapazität für das Anlaufmoment. Beschädigte und korrodierte Befestigungselemente können eine größere Anlaufmomentkapazität erfordern.
4. Überwachen Sie das Antriebsmoment mithilfe eines Drehmomentschlüssels. Falls der Drehmoment-Vervielfältiger ohne einen Drehmomentschlüssel verwendet wird, sollten Sie daran denken, **dass das Abtriebsmoment** erheblich größer ist **als das Antriebsmoment**.
5. **Lebensdauer des Drehmoment-Vervielfältigers verlängern.** Sorgen Sie für den kürzestmöglichen Kupplungsabstand zwischen dem Drehmoment-Vervielfältigerabtrieb (Abb. 6) und dem angesprochenen Befestigungselement. Sorgen Sie für den größtmöglichen Abstand zwischen dem Drehmoment-Vervielfältiger und dem Reaktionspunkt (Abb. 5).
6. Schützen Sie Ihre Garantie, verwenden Sie nur von Enerpac zugelassenen Abtriebsvierkante und Ersatzteile.

#### 4.0 SPEZIFIKATIONSTABELLEN

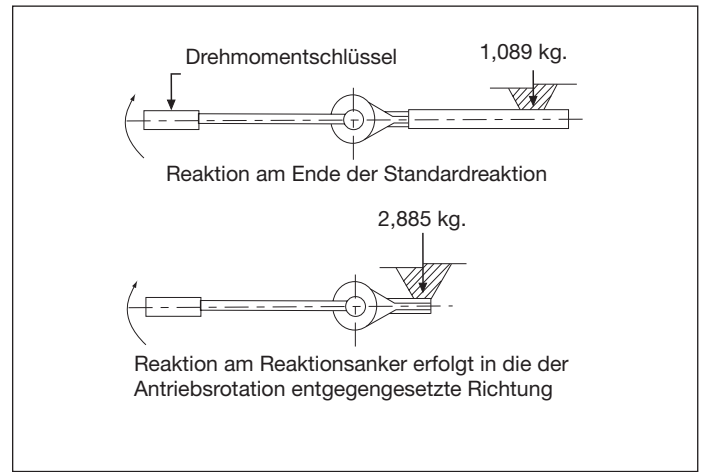
Modellnummern		E290PLUS	E291	E391	E392	E393
Ausgangskapazität, Nm (Ft-Lb)		1.020 (750)	1.358 (1,000)	1.627 (1,200)	2,983 (2,200)	4.340 (3,200)
Eingangskapazität, Nm (Ft-Lb)		339 (250)	451 (333)	271 (200)	220 (162)	234 (173)
Drehmomentverhältnis		3:1	3:1	6:1	13.6:1	18.5:1
Genauigkeit		±5% der Anzeige von 20% bis 100% des nominellen Skalenendwerts				
Größe des Abtriebaußenvierkants-mm (Zoll)		19 (.75)	19 (.75)	19 (.75)	25.4 (1)	25.4 (1)
Größe des Antriebbinnenvierkants-mm (Zoll)		13 (.5)	13 (.5)	13 (.5)	13 (.5)	13 (.5)
Gesamtabmessungen mm (Zoll) (siehe Abb. 2)	Länge <b>A</b>	217 (8.53)	443 (17.06)	497 (19.56)	498 (19.6)	498 (19.6)
	Getriebedurchmesser <b>B</b>	71 (2.81)	71 (2.81)	100 (3.94)	103 (4.06)	103 (4.06)
	Höhe <b>C</b>	83 (3.25)	83 (3.25)	102 (4.00)	146 (5.75)	165 (6.5)
Nettogewicht kg (lb)		1,8 (4)	2,5 (5.5)	4,1 (9.1)	6,9 (15.2)	8,3 (18.3)
Übersetzungsstufen des Planetenradgetriebes		Eins	Eins	Eins	Zwei	Zwei
Nadellager		–	–	Ja	Ja	Ja
Winkelzeiger		Nein	Nein	Ja 5-Grad-Schritte	Ja 5-Grad-Schritte	Ja 5-Grad-Schritte
Drehmomentumrechnungstabelle		Nein	Nein	Ja	Ja	Ja
Abscherbarer austauschbarer Abtrieb		Nein	Nein	Ja	Ja	Ja

Modellnummern		E492	E493	E494	E495
Ausgangskapazität, Nm (Ft-Lb)		2.983 (2,200)	4.339 (3,200)	6.779 (5,000)	10.846 (8,000)
Eingangskapazität, Nm (Ft-Lb)		220 (62)	235 (173)	256 (189)	209 (154)
Drehmomentverhältnis		13.6:1	18.5:1	26.5:1	52.1
Genauigkeit		±5% der Anzeige von 20% bis 100% des nominellen Skalenendwerts			
Größe des Abtriebaußenvierkants-mm (Zoll)		25.4 (1)	25.4 (1)	38 (1.5)	38 (1.5)
Größe des Antriebbinnenvierkants-mm (Zoll)		13 (1/2)	13 (1/2)	13 (1/2)	13 (1/2)
Gesamtabmessungen mm (Zoll) (siehe Abb. 2)	Länge <b>A</b>	356 (14.0)	356 (14.0)	378 (14.88)	387 (15.2)
	Getriebedurchmesser <b>B</b>	124 (4.88)	124 (4.88)	143 (5.63)	148 (5.81)
	Höhe <b>C</b>	140 (5.5)	163 (6.41)	222 (8.75)	273 (10.75)
Nettogewicht kg (lb)		7,8 (17.2)	8,9 (19.5)	15,4 (34)	22,8 (50.3)
Übersetzungsstufen des Planetenradgetriebes		Zwei	Zwei	Zwei	Drei
Nadellager		Ja	Ja	Ja	Ja
Winkelzeiger		Nein	Nein	Nein	Nein
Drehmomentumrechnungstabelle		Ja	Ja	Ja	Ja
Abscherbarer austauschbarer Abtrieb		Ja	Ja	Ja	Ja

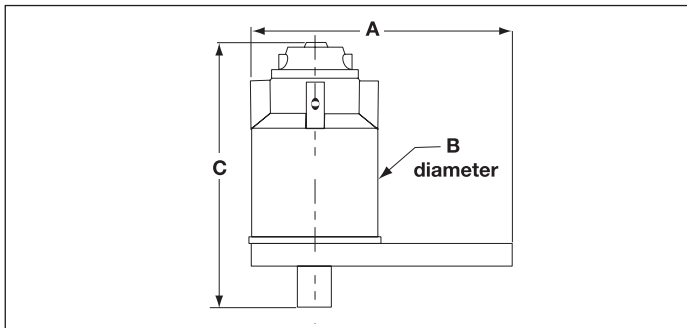


**Abb. 1, Auswechseln der Reaktionsplatte**

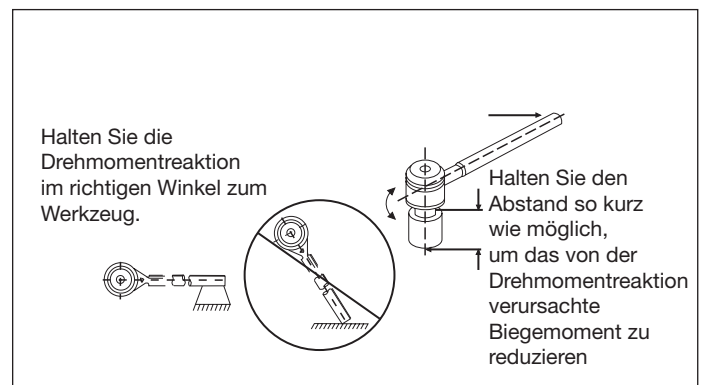
1. Reaktionsplatte / Reaktionsstange
2. Innensechskantschrauben
3. Drehmoment-Vervielfältiger
4. Abtriebsvierkant mit kontrollierter Scherrate



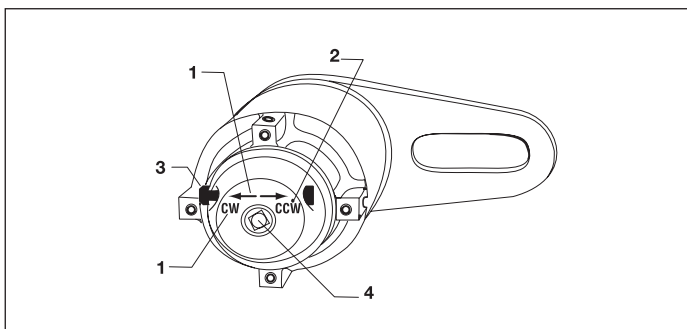
**Abb. 5, Reaktionskräfte erhöhen sich mit der Nähe zum Vervielfältiger**



**Abb. 2, Abmessungen des Drehmoment-Vervielfältigers**

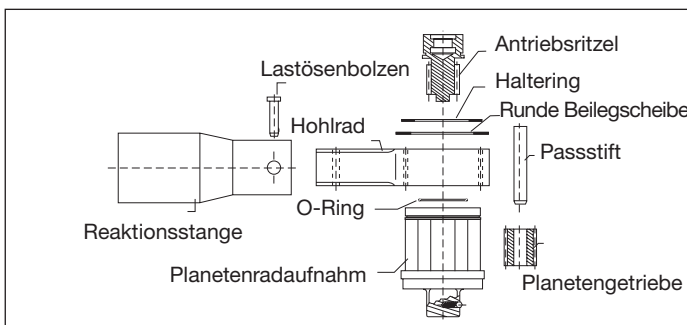


**Abb. 6, Minimieren Sie die von der Reaktion des Drehmoment-Vervielfältigers verursachten Biegemomente.**

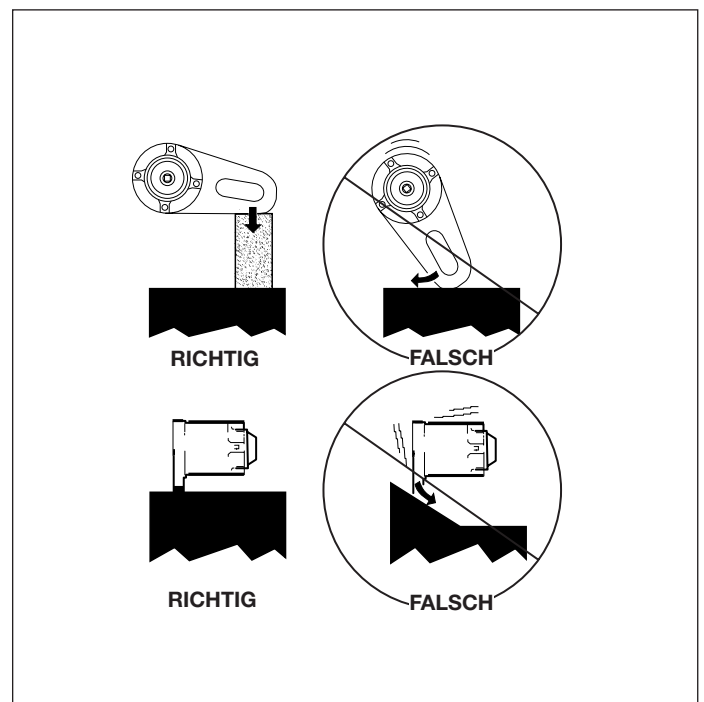


**Abb. 3, Antriebsendendetail (Abbildung zeigt Einstellung für Drehung im Uhrzeigersinn)**

1. Drehrichtungsanzeigen
2. Einstellschraube für die Neutralpositionierung
3. Wählhebel
4. 1/2 Zoll Antriebsinnenvierkant



**Abb. 4**



**Abb. 7, Halten Sie den Reaktionsanker im rechten Winkel zum Reaktionspunkt.**

## 5.0 BESCHREIBUNG UND MODELLMERKMALE

Die Antriebs- und Abtriebsdrehrichtungen sind gleich. (**BEISPIEL:** Eine Antriebsdrehung im Uhrzeigersinn sorgt für eine Abtriebsdrehung im Uhrzeigersinn.) Drehmoment-Vervielfältiger verwenden die Wirkung von Planetengetrieben, um mit einer kontinuierlichen 360°-Drehung entweder im Uhrzeigersinn oder entgegen dem Uhrzeigersinn festzuziehen/zu lösen. Eine interne, bidirektionale Rücklaufsicherung verhindert versehentliches Freisetzen der aufgebauten Spannung (nicht erhältlich für E290+, E291, E391).

**HINWEIS:** Die Reaktionskraft ist gleich der Abtriebskraft und verläuft in entgegengesetzter Richtung der Antriebs-/ Abtriebsdrehkraft.

Die Reaktionsstangen werden je nach Modell mithilfe eines Haltestifts oder einer Innensechskantschraube gehalten. Reaktionsplatten werden mit Innensechskantschrauben befestigt.

Ein Abtriebsvierkant mit kontrollierter Scherrate (Abb. 1 Punkt 4) schützt interne Komponenten, falls die maximale Ausgangskapazität überschritten wird. Dieser Überlastschutz führt dazu, dass der Antrieb bricht, wenn der Abtrieb zwischen 103% und 110% der Nennausgangskapazität überschreitet. Ein Ersatzantrieb wird mit dem Drehmoment-Vervielfältiger mitgeliefert (E391, E392, E393, E492, E493, E494, E495). (Bestellen Sie zusätzliche Ersatzteile bei Ihrem Enerpac-Händler.)

Der Wählhebel (Abb. 3, Punkt 3) muss in die neutrale Position eingestellt werden und die Einstellschraube für die Neutralpositionierung (Abb. 3, Punkt 3) muss festgezogen werden, um den Wählhebel für den Betrieb des Kraftantriebsgeräts zu verriegeln. Er steuert die Drehrichtung des Drehmoment-Vervielfältigers für manuell aufgewandten Antrieb. (Nicht erhältlich für die Modelle E290+, E291, E391.) Verwenden Sie keinen Kraftschrauber für den Kraftantrieb, da dadurch Schäden an der Kraftübertragung des Vervielfältigers entstehen.

## 6.0 DREHMOMENTUMRECHNUNGEN

Ein am Drehmoment-Vervielfältiger angebrachtes Datenschild zeigt das erforderlichen Antriebsmoment, um die aufgeführten Abtriebsmomentwerte zu erreichen. Um einen bestimmten, nicht auf dem Datenschild angegebenen Antriebswert zu berechnen, teilen Sie das gewünschte Abtriebsmoment durch das Drehmomentverhältnis des Vervielfältigers. Siehe Spezifikationstabellen

## 7.0 MANUELLER BETRIEB

1. **HINWEIS:** Die Reaktionskraft ist gleich der Abtriebskraft und verläuft in entgegengesetzter Richtung der Antriebs-/ Abtriebsdrehung.
2. Stellen Sie die gewünschte Drehrichtung ein, indem Sie den Wählhebel (Abb. 3, Punkt 3) in die Richtung drehen, die von den Buchstaben und Richtungspfeilen auf dem Antriebsendgehäuse angegeben werden (Abb. 3, Punkt 1). **BEISPIEL:** Drücken Sie bei "CCW" für entgegen dem Uhrzeigersinn den Hebel bis zum Ende des Wegs in die vom "CCW"-Pfeil angegebene Richtung. Drücken Sie für Drehung im Uhrzeigersinn den Hebel in die umgekehrte "CW"-Richtung. (Nicht erhältlich für die Modelle E290+, E291, E391.)
3. Montieren Sie einen Antriebsinnenvierkant in richtiger Größe in den Abtriebsvierkant des Drehmoment-Vervielfältigers (Abb. 1, Punkt 4). Positionieren Sie den Einsatz und den Drehmoment-Vervielfältiger zum Festziehen am Befestigungselement.

4. **Modelle mit Reaktionsplatte:** Platzieren Sie einen Einsatz in richtiger Größe am Nebenvierkant und befestigen Sie ihn an einem benachbarten Befestigungselement.

**Modelle mit Reaktionsstange:** Lassen Sie die Reaktionsstange fest gegen einen geeigneten Gegenstand stoßen. **HINWEIS:** Wenn der Einsatz am Befestigungselement richtig positioniert ist, muss sich die Reaktionsstange im rechten Winkel zum Befestigungselement befinden, auf das das Drehmoment wirkt (Abb. 7). Weitere Informationen zur Drehmoment-Vervielfältigerreaktion finden Sie im Abschnitt 10.0 "Anwendungsinformationen".

5. Ziehen Sie mit einem Drehmomentschlüssel fest. Stellen Sie das richtige erforderliche Antriebsmoment fest (sehen Sie auf dem Drehmomentdatenschild des Werkzeugs nach) oder sehen Sie in Abschnitt 4.0 "Spezifikationstabellen" nach. Die Genauigkeit des Abtriebsmoments erfordert einen genauen Drehmomentschlüssel in Reihe mit dem Drehmoment-Vervielfältiger. Wenden Sie ein Drehmoment mit dem Drehmomentschlüssel auf, bis das gewünschte Antriebsmoment erreicht ist (Abb. 5).



**WARNUNG:** Ein Ausfall des Abtriebsvierkants aufgrund von Drehmomentüberlastung oder Materialermüdung kann zu einem sofortigen Freigeben des Drehmoments führen und möglicherweise dazu führen, dass der Drehmoment-Vervielfältiger vom Befestigungselement fällt und es zu Verletzungen kommt.

6. So entfernen Sie den Drehmoment-Vervielfältiger vom Befestigungselement:

**Modelle mit Rücklaufsicherung:** Wenden Sie mithilfe eines Drehmomentschlüssels genug Antriebsmoment auf, um die interne Rücklaufsicherung zurückzuziehen; halten Sie den Drehmomentantrieb und drücken Sie den Wählhebel (Abb. 3, Punkt 3) in die entgegengesetzte Position. (**BEISPIEL:** Hebel in Position "CW" erfordert ein Zurücksetzen in die Position "CCW".) Lockern Sie langsam das Antriebsmoment. (Nicht erhältlich für die Modelle E290+, E291 oder E391.)

**Standardmodelle:** Wenden Sie ein Drehmoment mit dem gewünschten Nennwert auf, lockern Sie dann langsam das Antriebsmoment und entfernen Sie den Vervielfältiger von der Anwendung (Modelle E290+, E291 oder E391).

7. Lösen Sie ihn mit einem Drehmomentschlüssel. Befolgen Sie dasselbe Verfahren wie für das Festziehen, außer dass Sie den Wählhebel in die entgegengesetzte Position einstellen.

## 8.0 PNEUMATIKBETRIEB

Verwenden Sie einen zugelassenen nichtmechanischen Elektroantrieb bei den folgenden Modellen: (nur E391, E392, E393, E492, E493, E494 oder E495). Verriegeln Sie den Wählhebel in der neutralen Position, indem Sie ihn zwischen den Positionen "CW" und "CCW" zentrieren und die Einstellschraube festziehen (Abb. 3, Punkt 2).

**HINWEIS:** Wenn er in der richtigen Position eingestellt ist, bewegt sich der Wählhebel in KEINE Richtung, wenn die Einstellschraube für die Neutralposition festgezogen ist.

## 9.0 AUSTAUSCH EINER VIERKANTBAUGRUPPE

### 9.1 Modelle E290PLUS, E291

1. Entfernen Sie den Haltering und die runden Beilegscheiben (Abb. 4) von der Antriebsseite des Drehmoment-Vervielfältigergehäuses.
2. Entfernen Sie die Planetenradaufnahme vom Hohlrad (Drehmoment-Vervielfältigergehäuse).



3. Entfernen Sie das Antriebsritzel von der Planetenradaufnahme mit einer ziehenden und drehenden Bewegung. Verwenden Sie eine Dornpresse, um die Passstifte von den Planetengetrieben zu entfernen (Abb. 4).
4. Ersetzen Sie die Planetenradaufnahme durch ein Original-Enerpac-Ersatzteil.
5. Bauen Sie die Planetengetriebe wieder mit einer Dornpresse in die Planetenradaufnahme zusammen.
6. Schmieren Sie alle Reibungspunkte mit hochwertigem Molybdändisulfidfett.
7. Bauen Sie das Antriebsritzel wieder zusammen, bauen Sie die Baugruppe in das Hohlrad ein (Drehmoment-Vervielfältigergehäuse). Bauen Sie die Beilegscheiben und den Haltering wieder zusammen.
4. Halten Sie die Abtriebsmomentreaktion durch Verringerung des Biegemoments rein. Biegemomente verringern die Drehmomenteffizienz und erhöhen die Beanspruchung des Werkzeugs und der Einsätze. Halten Sie den Abstand zwischen dem Abtrieb des Werkzeugs und dem Befestigungselement so kurz wie möglich (Abb. 6).
5. Erhöhen Sie die Lebensdauer des Werkzeugs und die Sicherheit der Arbeitsumgebung, indem Sie die Drehmomentreaktion so weit außerhalb des Reaktionsankers wie möglich bringen (Abb. 5).

## 9.2 Modelle E391, E392, E393, E492, E493, E494, E495

1. Entfernen Sie die Schrauben (Abb. 1, Punkt 2), die die Reaktionsplatte (Abb. 1, Punkt 1) am Drehmoment-Vervielfältiger halten, und entfernen Sie die Reaktionsplatte vom Drehmoment-Vervielfältiger.
2. Entfernen Sie den Stift, der die Planetenradaufnahme verbindet, mit dem Abtriebsvierkant und entfernen Sie den alten Abtriebsvierkant.
3. Stecken Sie die Ersatzvierkantbaugruppe in den Vierkantträger; richten Sie dabei das Loch im unteren Teil des Ersatzvierkants mit dem Loch im Vierkantträger aus.
4. Stecken Sie den Stift durch das Loch im Vierkantträger und in das Loch im Ersatzvierkants.
5. Befestigen Sie die Reaktionsplatte wieder mit den vorher entfernten Schrauben am Drehmoment-Vervielfältiger (Abb. 1, Punkt 2).

## 10.0 ANWENDUNGSINFORMATIONEN

### 10.1 Reaktion des Drehmoment-Vervielfältigers

1. Das Absorbieren der Reaktionskräfte des Drehmoment-Vervielfältigers kann mithilfe der hier angegebenen allgemeinen Praktiken erreicht werden.
2. Berücksichtigen Sie zuerst die Größe und die Art des Drehmomentwerkzeugs, das für die Anwendung erforderlich ist. Untersuchen Sie die Platzbeschränkungen sowie das maximal erforderliche Drehmoment. Sorgen Sie für mindestens 50% zusätzliche Kapazität im Werkzeug für das Anlaufmoment. HINWEIS: Beschädigte und korrodierte Befestigungselemente können eine größere Anlaufmomentkapazität erfordern. Sorgen Sie für mindestens 100% über dem Verschraubmoment für diese Bedingungen. Beispiel: Korrodierte Stiftschrauben und ein Verschraubmoment von 1.650 Nm [1.500 Ft-Lbs]. Wählen Sie ein Werkzeug mit einer Kapazität von mindestens 3.300 Nm [3.000 Ft-Lbs.] für das Anlaufen.
3. Wählen Sie einen soliden Ankerpunkt, um die Durchbiegung zu minimieren. Stellen Sie fest, ob Reaktionskräfte vorhanden sind (z.B. gegen einen Flansch oder über einen benachbarten Bolzen). HINWEIS: Dieser Punkt muss den Reaktionskräften des Drehmomentwerkzeugs standhalten. Beispiel: Ein Drehmoment-Vervielfältiger mit 3.520 Nm [3.200 Ft-Lb.] mit einer Reaktion in der Nähe des Endes seiner Ankerstiftschraube (Abb. 5) produziert eine Reaktionskraft von 2.900 kg [6.400 Pfund]. Verringern Sie die Reaktionskraft auf 1.087 kg [2.400 Pfund], indem Sie den Reaktionspunkt in Richtung Ende der Reaktionsplatte/Reaktionsstange verschieben. Halten Sie den Reaktionspunkt zur Rotation des Drehmomentabtriebs, um höhere Reaktionskräfte zu verhindern (Abb. 6 und 7).

## 10.2 WINKELZEIGER

Einige Drehmoment-Vervielfältiger beinhalten einen Winkelzeiger. Damit kann der Bediener eine bestimmte Zahl von Graden der Drehung des Befestigungselements genau messen. Die Drehmoment-/Winkelzeigermethode beim Anziehen von Befestigungselementen erfordert einen Wert vor dem Drehmoment und eine spezifische zusätzliche Drehung des Befestigungselements, das in die Anwendung eingebaut ist. Diese Daten werden von der Konstruktionsabteilung des Originalgeräteherstellers geliefert, wenn Winkelzeiger-Moment anwendbar ist.

L2677 Rev. C 05/19

L'esplosione delle parti di ricambio per questo prodotto è ottenibile sul sito web [www.enerpac.com](http://www.enerpac.com), oppure chiamando il Centro Assistenza Autorizzato a voi più vicino, o il ns. ufficio commerciale.

## 1.0 IMPORTANT RECEIVING INSTRUCTIONS

Controllare visivamente tutti i componenti per accertare eventuali danni derivanti dal trasporto. Se del caso, sporgere subito reclamo al trasportatore. I danni causati durante il trasporto non sono coperti dalla garanzia. Il trasportatore è responsabile degli stessi e deve rispondere di tutte le spese e costi per la rimessa in efficienza del materiale.

## SICUREZZA ANZITUTTO

### 2.0 NORME SULLA SICUREZZA



Leggere attentamente tutte le istruzioni, le Precauzioni ed Avvertenze che si devono osservare durante l'impiego delle attrezzature. Rispettare tutte

le norme di sicurezza per evitare infortuni alle persone e danni alle cose. L'ENERPAC non è responsabile per infortuni e danni causati dal mancato rispetto delle Norme di Sicurezza, dall'uso e dall'applicazione impropria del prodotto o dalla sua mancata manutenzione. In caso di dubbi sulla applicazione del prodotto o sulla Sicurezza, contattare l'ENERPAC. Se non si conoscono le Norme di Sicurezza per i Sistemi Oleodinamici ad Alta Pressione contattare l'ENERPAC o i suoi Rappresentanti per un corso gratuito di addestramento sulla Sicurezza.

L'inosservanza delle seguenti Norme di Sicurezza può causare infortuni alle persone e danni alle attrezzature.

**PRECAUZIONE:** Sta ad indicare la corretta procedura d'impiego o di manutenzione per evitare danni, anche irreparabili, dell'attrezzature e delle cose circostanti.

**AVVERTENZA:** Sta ad indicare un potenziale pericolo che richiede l'osservanza della procedura per evitare infortuni alle persone.

**PERICOLO:** E'usato solo quando una azione od una mancata azione può provocare gravi infortuni se non la morte.



**AVVISO:** Tenere ferma la manopola di comando o manopola di azionamento della chiave torsionometrica, quando si lascia libero il moltiplicatore, perché si verifica un contraccolpo (a caricamento).



**AVVISO:** Impedire un rilascio improvviso della coppia, regolare la posizione neutra della vite di regolazione (Figura 3, voce 2) a filo con la parte superiore dell'involucro, quando viene azionato MANUALMENTE il moltiplicatore. Il dente di arresto del selettore (Figura 3, voce 3) deve funzionare liberamente anche nelle posizioni CW e CCW. Se non è correttamente regolato potrebbe derivarne il ferimento delle persone.



**AVVISO:** Non tenere in mano la barra di reazione o piastra di reazione del moltiplicatore (Figura 1, voce 1), mentre si applica il momento torcente. L'inflessione normale del moltiplicatore potrebbe creare una pizzicatura.



**AVVISO:** Ogni volta prima dell'uso, controllare con accuratezza la chiave torsionometrica manuale. I moltiplicatori di coppia aumentano sostanzialmente il momento torcente stesso, può risultarne un danno al funzionamento.



**AVVISO:** Prima di ogni utilizzo, controllare le viti della piastra di reazione/supporto barra per accertarsi che siano strette (Figura 1, voce 2).



**AVVISO:** Prima di ogni utilizzo, ispezionare il perno quadrato di uscita del comando (Figura 1, voce 4) per eventuali segni di affaticamento o rottura del materiale. Sostituire se necessario.



**AVVISO:** La rottura del perno quadrato di uscita del comando, potrebbe risultare in un immediato rilascio del momento torcente, il moltiplicatore del momento potrebbe cadere dal suo sistema di bloccaggio, e portare a ferimento delle persone.



**AVVISO:** Quando si usa un'estensione del perno di azionamento (solo per i modelli con piastra di reazione), è necessario avere una piastra di reazione a doppia estremità. Se non si usa una doppia piastra, ciò potrebbe forzare di lato il moltiplicatore di coppia sull'applicazione, avendo come risultato la rottura del moltiplicatore e/o dell'attacco.



**AVVISO:** Non usate le prolunghe dell'azionamento in uscita sui modelli con barra di reazione. Ne potrebbe derivare il ferimento delle persone.



**AVVISO:** Selezionare un punto di ancoraggio sufficiente a sopportare le forze di reazione del momento torcente. Il momento torcente di reazione equivale al momento in USCITA.



**AVVERTENZA:** Durante l'impiego delle attrezzature oleodinamiche usare sempre gli indumenti protettivi appropriati.



**AVVERTENZA:** Non sostare sotto ai carichi sorretti oleodinamicamente. Quando si impiega un cilindro, oleodinamico, per sollevare od abbassare un carico, non

deve mai essere utilizzato come sostegno permanente. Dopo ogni operazione di sollevamento od abbassamento, assicurare il carico meccanicamente.



**AVVERTENZA: IMPIEGARE SUPPORTI SOLIDI PER IL SOSTEGNO DEI CARICHI.** Scegliere blocchi in acciaio o legno idonei a sostenere il carico. Non usare mai il cilindro oleodinamico come cuneo o spessore nelle operazioni di sollevamento o pressatura.



**AVVERTENZA:** Sostituire immediatamente le parti usurate o danneggiate con ricambi originali ENERPAC. Le parti usurate si potrebbero rompere, causando lesioni alle persone e danni alle cose.

### 3.0 ISTRUZIONI



Leggere e comprendere queste istruzioni di funzionamento prima di usare il moltiplicatore di coppia.

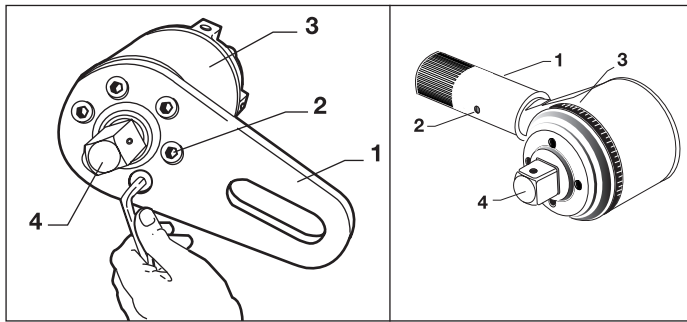
**NOTA: NON USARE UNA CHIAVE A PERCUSSIONE SUL MOLTIPLICATORE DI COPPIA: NE DERIVEREBBE UN DANNEGGIAMENTO DELL'ATTREZZO.**

1. Quando si usa un'entrata azionata da energia, bloccare il dente di arresto del selettore nella posizione neutra, usando la vite di regolazione della posizione neutra (Figura 3, voce 2).
2. Quando si posiziona il moltiplicatore di coppia, accertarsi che l'attacco in uscita sia posizionato in maniera tale che la piastra di reazione sia ad angolo retto con il dispositivo di fissaggio. La reazione al momento torcente crea una forza rotazionale nell'opposta direzione a quella nella quale si applica la forza di entrata. Vedere la sezione 10.0 Informazioni sull'Applicazione per informazioni addizionali sulla reazione del moltiplicatore di coppia.
3. NON applicare un momento torcente maggiore di quello che l'applicazione possa sopportare. Il momento torcente di distacco può essere maggiore del momento in entrata. Tenere un margine del 50% di capacità addizionale dell'attrezzo per il momento di rottura. I bloccaggi danneggiati e corrosi richiedono una capacità anche maggiore del momento di rottura.
4. Monitorare il momento di entrata usando una chiave torsionometrica. Se il moltiplicatore di momento torcente fosse usato senza chiave torsionometrica, ricordarsi che il **momento torcente di uscita** è significativamente maggiore del momento torcente di entrata.
5. **Aumento della durata in esercizio del moltiplicatore di coppia.** Mantenere la distanza di coppia minima possibile tra l'uscita del moltiplicatore di coppia (Figura 6) ed il sistema di bloccaggio che viene indirizzato. Mantenere la distanza maggiore possibile tra il moltiplicatore di coppia ed il punto di reazione (Figura 5).
6. Proteggere la garanzia, usando gli azionamenti quadrati in uscita dell'Enerpac

#### 4.0 TABELLE SPECIFICHE

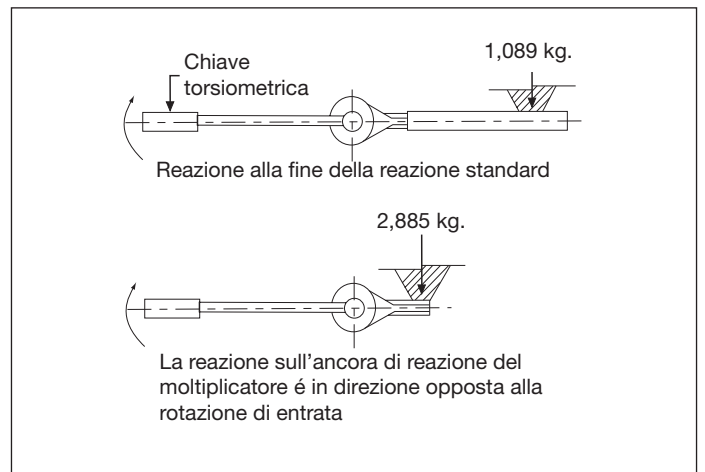
Numeri di Modello		E290PLUS	E291	E391	E392	E393
Potenza in uscita Nm		1.020 (750)	1.358 (1,000)	1.627 (1,200)	2.983 (2,200)	4.340 (3,200)
Potenza in entrata Nm		339 (250)	451 (333)	271 (200)	220 (162)	234 (173)
Rapporto coppia		3:1	3:1	6:1	13.6:1	18.5:1
Precisione		±5% della lettura dal 20% al 100% del valore di fondo scala				
Dimensioni quadro maschio di azionamento in uscita mm		19 (.75)	19 (.75)	19 (.75)	25.4 (1)	25.4 (1)
Dimensioni quadro femmina di azionamento in entrata		13 (.5)	13 (.5)	13 (.5)	13 (.5)	13 (.5)
Dimensioni Esterne in mm (vedere Figura 2)	Lunghezza <b>A</b>	217 (8.53)	443 (17.06)	497 (19.56)	498 (19.6)	498 (19.6)
	Riduttore Ø <b>B</b>	71 (2.81)	71 (2.81)	100 (3.94)	103 (4.06)	103 (4.06)
	Altezza <b>C</b>	83 (3.25)	83 (3.25)	102 (4.00)	146 (5.75)	165 (6.5)
Peso netto kg		1,8 (4)	2,5 (5.5)	4,1 (9.1)	6,9 (15.2)	8,3 (18.3)
Stadi riduttore planetario		Uno	Uno	Uno	Due	Due
Cuscinetti ad aghi		-	-	Si	Si	Si
Goniometro con angolo di giro		No	No	Si 5° incr	Si 5° incr	Si 5° incr
Tabella conversione coppia (momento torcente)		No	No	Si	Si	Si
Azionamento in uscita tranciabile sostituibile		No	No	Si	Si	Si

Numeri di Modello		E492	E493	E494	E495
Potenza in uscita Nm		2.983 (2,200)	4.339 (3,200)	6.779 (5,000)	10.846 (8,000)
Potenza in entrata Nm		220 (62)	235 (173)	256 (189)	209 (154)
Rapporto coppia		13.6:1	18.5:1	26.5:1	52.1
Precisione		±5% della lettura dal 20% al 100% del valore di fondo scala			
Dimensioni quadro maschio di azionamento in uscita mm		25.4 (1)	25.4 (1)	38 (1.5)	38 (1.5)
Dimensioni quadro femmina di azionamento in entrata		13 (1/2)	13 (1/2)	13 (1/2)	13 (1/2)
Dimensioni Esterne in mm (vedere Figura 2)	Lunghezza <b>A</b>	356 (14.0)	356 (14.0)	378 (14.88)	387 (15.2)
	Riduttore Ø <b>B</b>	124 (4.88)	124 (4.88)	143 (5.63)	148 (5.81)
	Altezza <b>C</b>	140 (5.5)	163 (6.41)	222 (8.75)	273 (10.75)
Peso netto kg		7,8 (17.2)	8,9 (19.5)	15,4 (34)	22,8 (50.3)
Stadi riduttore planetario		Due	Due	Due	Tre
Cuscinetti ad aghi		Si	Si	Si	Si
Goniometro con angolo di giro		No	No	No	No
Tabella conversione coppia (momento torcente)		Si	Si	Si	Si
Azionamento in uscita tranciabile sostituibile		Si	Si	Si	Si

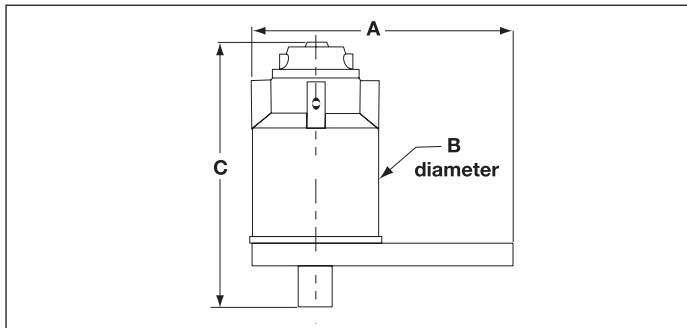


**Figura 1, Cambio della piastra di reazione**

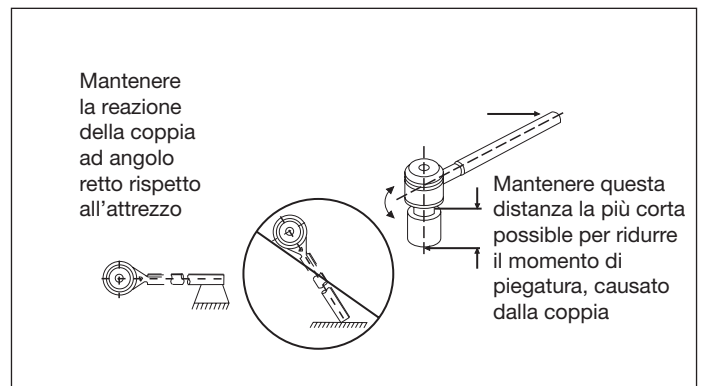
1. Piastra di reazione/Barra di reazione
2. Vite ad esagono incassato
3. Moltiplicatore di coppia
4. Azionamento quadro di uscita a taglio-controllato



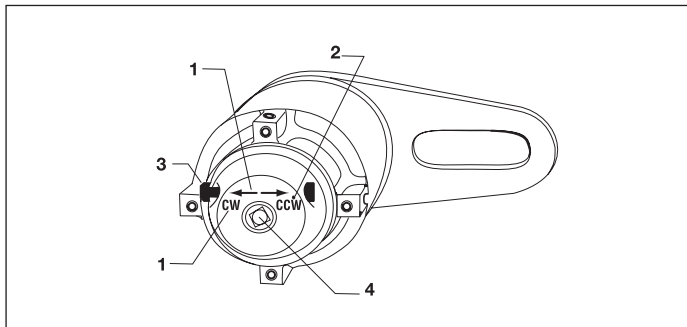
**Figura 5, Le forze di reazione aumentano vicino al moltiplicatore**



**Figura 2, Dimensioni moltiplicatore di coppia**

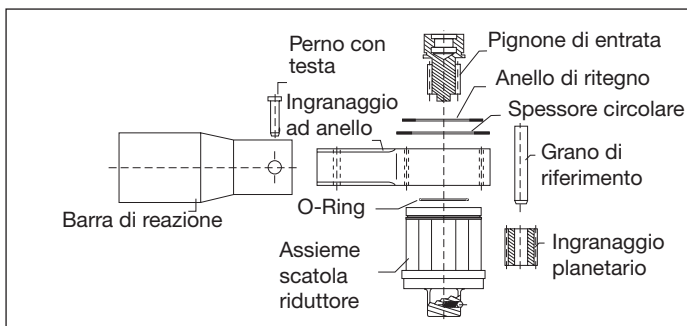


**Figura 6, Minimizzare i momenti di piegatura creati dalla reazione del moltiplicatore di coppia**

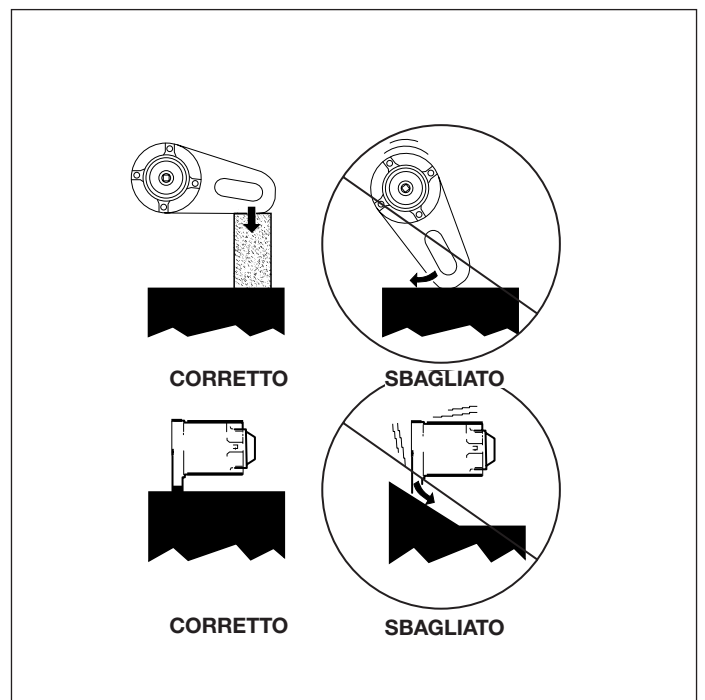


**Figura 3, Dettaglio estremità di entrata (mostrata la serie per rotazione oraria)**

1. Indicatori direzione rotazionale
2. Vite regolazione posizione neutra
3. Dente di arresto selettore
4. Quadro azionamento entrata 1/2" femmina



**Figura 4**



**Figura 7, Mantenere l'ancora di reazione perpendicolare la punto di reazione**

## 5.0 DESCRIZIONE E CARATTERISTICHE DI PROGETTO

Le direzioni di rotazione di entrata ed uscita sono le stesse (ESEMPIO: una rotazione in entrata in senso orario crea una rotazione in uscita oraria). I moltiplicatori di coppia usano l'azione del riduttore planetario per stringere/allentare con una rotazione continua di 360° sia in direzione oraria che in direzione antioraria. Un dispositivo interno, bi-direzionale anti-gioco impedisce il rilascio accidentale della coppia caricata (non disponibile per i modelli E290+, E291, E391).

**NOTA:** La forza di reazione è uguale alla forza di uscita ed è in direzione opposta della forza di rotazione di entrata/uscita.

Le barre di reazione sono tenute al posto usando usando un perno di arresto oppure una vite brugola.

Un quadro di azionamento di uscita a taglio controllato (Figura 1, voce 4) protegge i componenti interni nell'eventualità che la capacità massima di uscita sia superata. Questa caratteristica della protezione contro il sovraccarico determina la rottura dell'azionamento quando l'uscita supera dal 103% al 110% la capacità stabilita di uscita. Al moltiplicatore di coppia è allegato un azionamento di riserva (E391, E392, E393, E492, E493, E494, E495). (Ulteriori azionamenti vanno ordinati al distributore Enerpac).

Il dente di arresto del selettore (Figura 3, voce 3) deve essere regolato in posizione neutra e la vite di regolazione della posizione neutra (Figura 3, voce 3) deve essere stretta per bloccare il dente di arresto del selettore per il funzionamento dell'unità di potenza. Esso controlla la direzione di rotazione del moltiplicatore di coppia per un'entrata applicata manualmente. (Non disponibile per i modelli E290+, E291, E3919). Non usare la chiave a percussione per la trasmissione di potenza, perché ne risulterebbe danneggiato il treno di trasmissione di potenza del moltiplicatore.

## 6.0 CONVERSIONI DELLA COPPIA

Una targhetta dei dati fissata sul moltiplicatore di coppia mostra la coppia in entrata richiesta per ottenere i valori di coppia o momento elencati. Per calcolare un valore specifico di entrata non elencato sulla targhetta dei dati, dividere il momento di uscita desiderato per il rapporto di coppia del moltiplicatore. Vedere la Tabella delle specifiche

## 7.0 FUNZIONAMENTO MANUALE

1. **NOTA:** La forza di reazione è uguale alla forza di uscita ed è in direzione opposta alla rotazione di entrata/uscita.
2. Regolare la direzione desiderata di rotazione spingendo il dente di arresto del selettore (Figura 3, voce 3) nella direzione indicata dalle lettere e dalle frecce direzionali stampigliate sull'estremità di entrata della scatola (Figura 3, voce 1). ESEMPIO: "CCW" per la rotazione anti-oraria, spingere il dente di arresto fino alla fine della corsa nella direzione mostrata dalla freccia "CCW" Per la rotazione oraria, spingere il dente nella direzione opposta "CW" (Non disponibile per i modelli E290+, E291, E391).
3. Montare l'inserito di azionamento col quadro femmina adatto sul moltiplicatore di coppia (Figura 1, voce 4). Posizionare l'inserito ed il moltiplicatore di coppia sul fissaggio che deve essere stretto.
4. Modelli a piastra di reazione: Posizionare un inserto delle dimensioni appropriate sull'azionamento quadro asservito e collegarlo al fissaggio adiacente.

Modelli a barra di reazione: Appoggiare di testa la barra di reazione in modo sicuro contro un oggetto adatto. **NOTA:** Quando l'inserito è posizionato correttamente sul fissaggio, la barra di reazione deve essere ad angolo retto rispetto al fissaggio al quale sta venendo applicata (Figura 7). Vedere la sezione Informazioni di applicazione 10.0 per avere informazioni aggiuntive sulla reazione del moltiplicatore di coppia.

5. Stringere usando una chiave torsionometrica. Determinare il giusto momento di entrata richiesto (fare riferimento alla piastra dei dati di coppia sull'attrezzo) o fare riferimento alla sezione 4.0 Tabelle delle Specifiche. La precisione della coppia di uscita richiede una chiave torsionometrica precisa in serie con il moltiplicatore di coppia. Applicare la coppia con la chiave torsionometrica fino a che si raggiunge la coppia di entrata desiderata (Figura 5).



**AVVISO:** La rottura dell'azionamento quadro di uscita, dovuta a sovraccarico della coppia, potrebbe portare ad un immediato rilascio della coppia, che potrebbe determinare la caduta del moltiplicatore di coppia dal fissaggio e portare a ferimento delle persone.

6. Per togliere il moltiplicatore di coppia del fissaggio.  
**Modelli anti-gioco:** usando una chiave torsionometrica, applicare un sufficiente momento di entrata per rilasciare in meccanismo interno anti-gioco, mantenere il momento di entrata e spingere il dente di arresto del selettore (Figura 3, voce 3) nella direzione opposta (ESEMPIO: il dente di arresto in posizione "CW" richiede il resettaggio alla posizione "CCW". Rilasciare lentamente il momento di entrata. (Non disponibile per i modelli E290+, E291, o E391).  
**Modelli standard:** applicare una coppia del valore desiderato, quindi rilasciare lentamente il momento di entrata e togliere il moltiplicatore dall'applicazione (modelli E290+, E291, o E391).
7. Allentare usando una chiave torsionometrica. Seguire la stessa procedura per stringere, ad eccezione di posizionare il dente di arresto nella posizione opposta.

## 8.0 PNEUMATIC OPERATION

Usare un azionamento di potenza approvato senza percussione con i modelli (E391, E392, E393, E492, E493, E494 oppure E495 soltanto). Bloccare il dente di arresto del selettore nella posizione Neutra centrandolo tra le posizioni "CW" e "CCW" e stringendo la vite di regolazione (Figura 3, voce 2).

**NOTA:** Regolato nella posizione corretta, il dente di arresto del selettore NON si muoverà in qualsiasi direzione, quando la vite di regolazione della posizione neutra è stata stretta.

## 9.0 SOSTITUZIONE DI UN ASSIEME DI AZIONAMENTO QUADRO

### 9.1 Modelli E290PLUS, E291

1. Togliere l'anello di bloccaggio e gli spessori circolari (Figura 4) dal lato di entrata dell'involucro del moltiplicatore di coppia.
2. Smontare l'assieme della scatola degli ingranaggi dall'ingranaggio ad anello (scatola del moltiplicatore di coppia o momento torcente).
3. Togliere il pignone di entrata dall'assieme della scatola ingranaggi con un movimento di trazione e torsione. Usare una pressa per alberi per fare uscire i perni dagli ingranaggi planetari (Figura 4).

- Sostituire l'assieme della scatola del riduttore con una di ricambio Enerpac.
- Sostituire gli ingranaggi planetari nella scatola del riduttore usando una pressa per alberi.
- Lubrificare tutti i punti soggetti ad attrito con grasso al bisolfuro di molibdeno.
- Rimontare il pignone di entrata, installare l'assieme dentro all'ingranaggio ad anello (scatola del
- Aumentare la durata in esercizio dell'attrezzo ed aumentare la sicurezza dell'ambiente di lavoro portando la reazione del momento il più possibile verso l'esterno sull'ancora di reazione per quanto sia possibile (Figura 5).

## 10.2 GONIOMETRO DELL'ANGOLO DI GIRO

Alcuni moltiplicatori comprendono il goniometro dell'angolo di giro. Questo permette all'operatore di misurare accuratamente un numero specifico di gradi di rotazione del fissaggio. Il metodo di stringere i fissaggi basato sul momento torcente/angolo di giro richiede un valore di pre-momento ed una rotazione addizionale specifica del fissaggio, che sia stata elaborata per e in questa applicazione. Questi dati saranno forniti dal reparto di progettazione del produttore OEM se il metodo del momento e dell'angolo di giro è applicabile.

### 9.2 Modelli E391, E392, E393, E492, E493, E494, E495

- Togliere le viti (Figura 1, voce 2), che tengono al posto la piastra di reazione (Figura 1, voce 1) sul moltiplicatore di coppia, ed asportare la piastra di reazione dal moltiplicatore di coppia.
- Togliere il perno che fissa la scatola ad ingranaggi con l'azionamento quadro di uscita e togliere il vecchio azionamento quadro di uscita da sostituire.
- Inserire l'assieme dell'azionamento quadro dentro al supporto dell'azionamento quadro, allineando il foro nella parte più bassa dell'azionamento quadro con il foro nel supporto dell'azionamento quadro stesso.
- Inserire il perno attraverso il foro del supporto dell'azionamento quadro e dentro al foro nell'azionamento quadro di ricambio.
- Rimontare la piastra di reazione sul moltiplicatore di coppia con le viti precedentemente svitate (Figura 1, voce 2).

## 10.0 INFORMAZIONE SULL'APPLICAZIONE

### 10.1 Reazione del moltiplicatore di coppia

- L'assorbimento delle forze di reazione del moltiplicatore può essere fatto usando le pratiche comuni annotate qui di seguito.
- Per prima cosa considerare le dimensioni ed il tipo di attrezzo richiesto per la coppia necessario per l'applicazione. Verificare gli ingombri di spazio così come la massima coppia richiesta. Dare un 50 % di capacità in più all'attrezzo per la coppia di rottura. NOTA: I fissaggi danneggiati e corrosi possono richiedere anche una maggiore capacità per la coppia di rottura. Dare un minimo del 100 % in più sopra il momento di funzionamento per queste condizioni. Esempio: perni prigionieri corrosi e momento di funzionamento di 130 kgm. Scegliere un attrezzo con una capacità di rottura di almeno 260 kgm.
- Scegliere un punto fermo di ancoraggio per minimizzare la deflessione. Controllare dove si verificheranno le forze di reazione (per esempio contro una flangia oppure un bullone adiacente). NOTA: Questo punto deve sopportare le forze di reazione dell'attrezzo che crea il momento. Esempio: un moltiplicatore di coppia di 1500 kgm, con la reazione vicino all'estremità della testa di ancoraggio (Figura 5), produce una forza di reazione di 2900 kg. Ridurre la forza di reazione a 1090 Kg spostando il punto di reazione verso l'estremità della piastra/barra di reazione. Mantenere il punto di reazione tangente alla rotazione dell'uscita del momento per impedire forze di reazione aumentate (figure 6 e 7).
- Mantenere la rotazione del momento di uscita pura riducendo i momenti di piegamento. I momenti di piegamento (inflessione) diminuiscono l'efficacia della coppia ed aumentano lo sforzo sull'attrezzo e sugli inserti. Mantenere la distanza tra l'uscita dell'attrezzo ed il fissaggio la più corta possibile.

L2677 Rev. C 05/19

Las hojas de despiece para este producto están disponibles en la página web de Enerpac en la dirección [www.enerpac.com](http://www.enerpac.com), o en su centro de Asistencia Técnica ó punto de venta Enerpac más cercano.

#### 1.0 IMPORTANTES INSTRUCCIONES DE RECEPCIÓN

Inspeccione visualmente todos los componentes para verificar si hay daños de envío. Debido a que la garantía no ampara daños por envío, si los hubiese, infórmeles inmediatamente a la empresa de transportes, puesto que ésta es responsable de todos los gastos de reparaciones o reemplazo que resulten por daños de envío.

#### SEGURIDAD PRIMERO

#### 2.0 ASPECTOS DE SEGURIDAD



Lea todas las instrucciones, advertencias y precauciones. Acate todas las precauciones de seguridad para evitar lesiones personales o daños a la propiedad durante la operación del sistema. ENERPAC no puede ser responsable de daños o lesiones que resulten de no usar el producto de forma segura, falta de mantenimiento o aplicación incorrecta del producto y/u operación del sistema. Comuníquese con ENERPAC si tuviese dudas sobre las precauciones de seguridad o sobre las aplicaciones. Si nunca ha sido capacitado en seguridad hidráulica de alta presión, consulte a su distribuidor o centro de servicio para obtener un curso de seguridad gratis denominado ENERPAC Hydraulic.

El no cumplir con las siguientes precauciones y advertencias podría causar daños al equipo y lesiones personales.

Una **PRECAUCIÓN** se utiliza para indicar procedimientos y prácticas de operación o mantenimiento correctos para evitar daños o la destrucción de equipo u otra propiedad.

Una **ADVERTENCIA** indica un potencial peligro que requiere de procedimientos o prácticas correctos para evitar lesiones personales.

Un **PELIGRO** se utiliza sólo cuando su acción o falta de acción podría causar lesiones graves o incluso la muerte.



**ADVERTENCIA:** Mantener un control manual firme de la llave dinamométrica o la maneta de entrada al liberar el multiplicador, debido a que se experimentará un retroceso (enrollado).



**ADVERTENCIA:** Evitar la liberación accidental del par. Ajustar el tornillo de ajuste de posición neutral (Figura 3, elemento 2) para que quede al ras con la parte superior de la carcasa cada vez que el multiplicador de par se opere **MANUALMENTE**. El retén selector (Fig. 3, elemento 3) también deberá funcionar libremente en las posiciones en sentido horario y sentido antihorario. Si no se ajusta adecuadamente podrían ocurrir daños personales.



**ADVERTENCIA:** No sostener la barra de reacción o la placa de reacción del multiplicador de par (Fig. 1, elemento 1) al aplicar el par. La curvatura normal del multiplicador podría crear una punta de espolón.



**ADVERTENCIA:** Antes de CADA uso, verificar la precisión de la llave dinamométrica manual. Los multiplicadores de par incrementarán sustancialmente el par. Pueden ocasionarse daños al trabajo.



**ADVERTENCIA:** Antes de CADA uso, comprobar la placa/barra de reacción que sostiene los tornillos para garantizar de que están ajustados (Fig. 1, elemento 2).



**ADVERTENCIA:** Antes de CADA uso, inspeccionar el portaherramientas de mango cuadrado de salida (Fig. 1, elemento 4) para detectar signos visibles de fatiga o fractura. Reemplazar si es preciso.



**ADVERTENCIA:** Un fallo del portaherramientas de mango cuadrado de salida podría ocasionar una liberación inmediata del par. El multiplicador de par podría soltarse del elemento de sujeción y ocasionar una lesión personal.



**ADVERTENCIA:** Al utilizar una extensión del portaherramientas de salida (sólo para modelos con placa de reacción), se requiere una placa de reacción de dos bocas. En no utilizar una placa de reacción de dos bocas podría forzar el multiplicador de par hacia los costados en la aplicación, ocasionando la rotura del multiplicador y/o zócalo.



**ADVERTENCIA:** No utilizar extensiones del portaherramientas de salida en los modelos con barra de reacción. Podrían ocasionarse lesiones personales.



**ADVERTENCIA:** Seleccionar un punto de anclaje suficiente para soportar las fuerzas de reacción de par. El par de reacción es igual al par de SALIDA.



**ADVERTENCIA:** Use el equipo de protección personal adecuado cuando opere equipo hidráulico.



**ADVERTENCIA:** Manténgase alejado de las cargas soportadas por sistemas hidráulicos. Cuando un cilindro se utiliza como dispositivo para levantar carga, nunca debería usarse como dispositivo para sostener carga. Después de que la carga haya sido levantada o descendida, debe bloquearse siempre en forma mecánica.





**ADVERTENCIA: USE SÓLO PIEZAS RÍGIDAS PARA SOSTENER CARGAS.** Seleccione cuidadosamente bloques de acero o de madera capaces de soportar la carga. Nunca use un cilindro hidráulico como calza o separador en aplicaciones de levantamiento o presión.



**ADVERTENCIA:** Reemplace inmediatamente las piezas gastadas o dañadas por piezas ENERPAC genuinas. Las piezas de clasificación estándar se romperán, lo que causará lesiones personales y daños a la propiedad. Las piezas ENERPAC están diseñadas para encajar debidamente y resistir altas cargas.

### 3.0 INSTRUCCIONES



Leer y entender estas instrucciones de funcionamiento antes de utilizar el multiplicador de par.

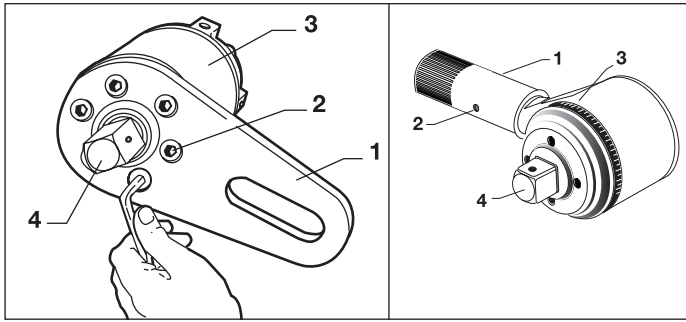
**NOTA: NO UTILIZAR UNA LLAVE DE IMPACTO EN EL MULTIPLICADOR DE PAR. PODRÍAN OCASIONARSE DAÑOS A LA HERRAMIENTA.**

1. Al utilizar una entrada ELÉCTRICA, bloquear el retén selector en la posición neutral utilizando un tornillo de ajuste de posición neutral (Fig. 3, elemento 2).
2. Al posicionar el multiplicador de par, asegurarse que el zócalo fijado a la salida esté colocado de manera tal que la placa de reacción se encuentre en el ángulo correcto con respecto al elemento de sujeción. La reacción de par crea una fuerza de rotación en dirección opuesta a la que se aplica la fuerza de entrada. Véase Información de la aplicación, sección 10.0 para obtener información sobre la reacción del multiplicador de par.
3. NO aplicar más par motor de lo que la aplicación pueda soportar. El par de inicio puede ser mayor que el par de entrada. Permitir un mínimo del 50% de capacidad adicional de la herramienta para el par de inicio. Los elementos de sujeción dañados o con corrosión pueden requerir mayor capacidad de par de inicio.
4. Observar el par de entrada con una llave dinamométrica. Si el multiplicador de par se utiliza con una llave dinamométrica, recuerde que el **par de salida** es significativamente mayor que el **par de entrada**.
5. **Incrementar la vida útil del multiplicador de par.** Mantener la menor distancia de acoplamiento posible entre la salida del multiplicador de par (Fig. 6) y el elemento de sujeción con el que se trabajará. Mantener la mayor distancia posible entre el multiplicador de par y el punto de reacción (Fig. 5).
6. Proteja su garantía, utilice sólo portaherramientas de mango cuadrado y repuestos aprobados por Enerpac.

#### 4.0 TABLAS DE ESPECIFICACIÓN

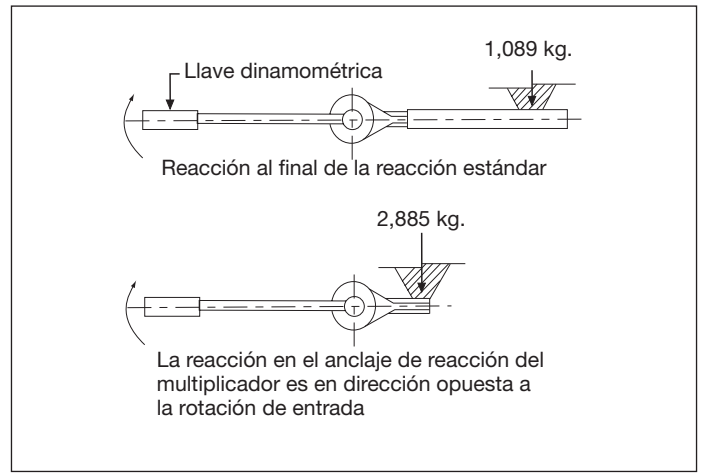
Números de Modelo		E290PLUS	E291	E391	E392	E393
Capacidad de salida, Nm (lb-pie)		1.020 (750)	1.358 (1,000)	1.627 (1,200)	2.983 (2,200)	4.340 (3,200)
Capacidad de entrada, Nm (lb-pie)		339 (250)	451 (333)	271 (200)	220 (162)	234 (173)
Coeficiente de par		3:1	3:1	6:1	13.6:1	18.5:1
Precisión		±5% de la lectura de 20% a 100% de régimen de trabajo máximo				
Tamaño del portaherramienta de mango cuadrado de salida macho – mm (pulgadas)		19 (.75)	19 (.75)	19 (.75)	25.4 (1)	25.4 (1)
Tamaño del portaherramienta de mango cuadrado de entrada hembra – mm (pulgadas)		13 (.5)	13 (.5)	13 (.5)	13 (.5)	13 (.5)
Dimensiones generales mm (pulgadas) (véase Fig. 2)	Largo <b>A</b>	217 (8.53)	443 (17.06)	497 (19.56)	498 (19.6)	498 (19.6)
	Caja de engranajes Ø <b>B</b>	71 (2.81)	71 (2.81)	100 (3.94)	103 (4.06)	103 (4.06)
	Altura <b>C</b>	83 (3.25)	83 (3.25)	102 (4.00)	146 (5.75)	165 (6.5)
Peso neto en kg (lb)		1,8 (4)	2,5 (5.5)	4,1 (9.1)	6,9 (15.2)	8,3 (18.3)
Etapas de engranajes planetarios		Uno	Uno	Uno	Dos	Dos
Cojinetes de aguja		–	–	Sí	Sí	Sí
Graduador de ángulo de giro		No	No	Sí incr 5°	Sí incr 5°	Sí incr 5°
Cuadro de conversión de par		No	No	Sí	Sí	Sí
Portaherramienta de salida desplazable reemplazable		No	No	Sí	Sí	Sí

Números de Modelo		E492	E493	E494	E495
Capacidad de salida, Nm (lb-pie)		2.983 (2,200)	4.339 (3,200)	6.779 (5,000)	10.846 (8,000)
Capacidad de entrada, Nm (lb-pie)		220 (62)	235 (173)	256 (189)	209 (154)
Coeficiente de par		13.6:1	18.5:1	26.5:1	52.1
Precisión		±5% de la lectura de 20% a 100% de régimen de trabajo máximo			
Tamaño del portaherramienta de mango cuadrado de salida macho – mm (pulgadas)		25.4 (1)	25.4 (1)	38 (1.5)	38 (1.5)
Tamaño del portaherramienta de mango cuadrado de entrada hembra – mm (pulgadas)		13 (1/2)	13 (1/2)	13 (1/2)	13 (1/2)
Dimensiones generales mm (pulgadas) (véase Fig. 2)	Largo <b>A</b>	356 (14.0)	356 (14.0)	378 (14.88)	387 (15.2)
	Caja de engranajes Ø <b>B</b>	124 (4.88)	124 (4.88)	143 (5.63)	148 (5.81)
	Altura <b>C</b>	140 (5.5)	163 (6.41)	222 (8.75)	273 (10.75)
Peso neto en kg (lb)		7,8 (17.2)	8,9 (19.5)	15,4 (34)	22,8 (50.3)
Etapas de engranajes planetarios		Dos	Dos	Dos	Tres
Cojinetes de aguja		Sí	Sí	Sí	Sí
Graduador de ángulo de gir		No	No	No	No
Cuadro de conversión de pa		Sí	Sí	Sí	Sí
Portaherramienta de salida desplazable reemplazable		Sí	Yes	Sí	Sí

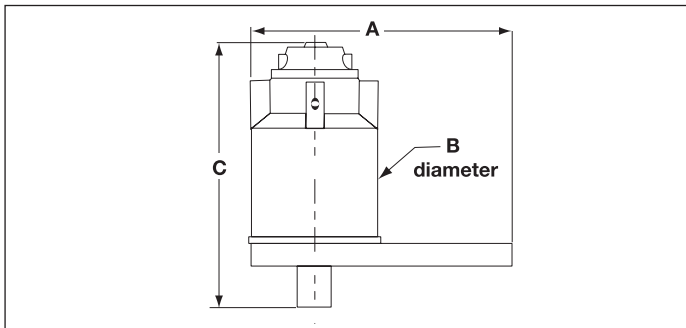


**Fig. 1, Cambio de la placa de reacción**

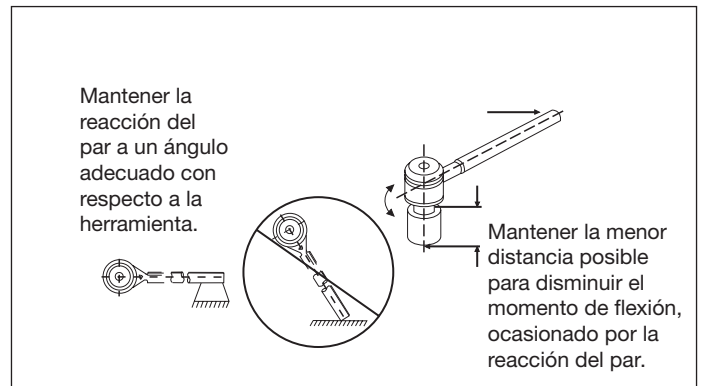
1. Placa de reacción / Barra de reacción
2. Tornillos de cabeza Allen
3. Multiplicador de par
4. Portaherramienta de mango cuadrado de salida de deslizamiento controlado



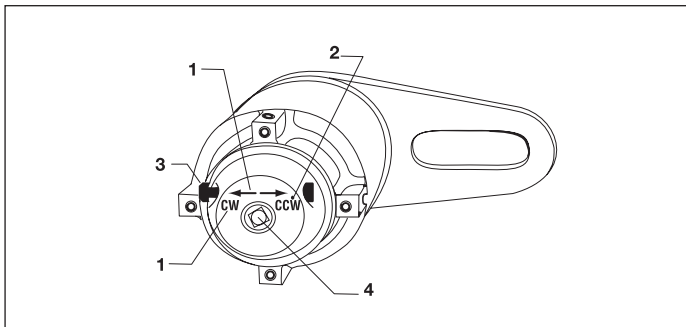
**Fig. 5, Las fuerzas de reacción aumentan cuanto más cerca está del multiplicador**



**Fig. 2, Dimensiones del multiplicador de par**

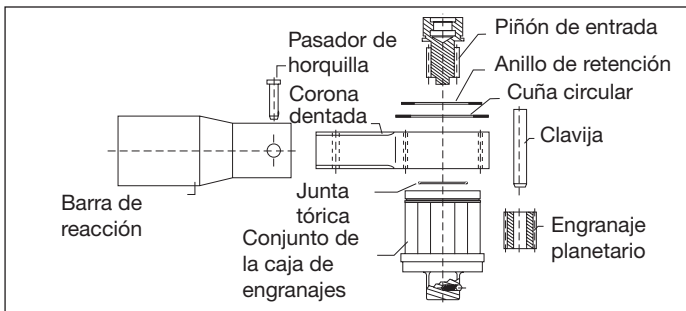


**Fig. 6, Minimizar los momentos de flexión creados por la reacción del multiplicador de par**

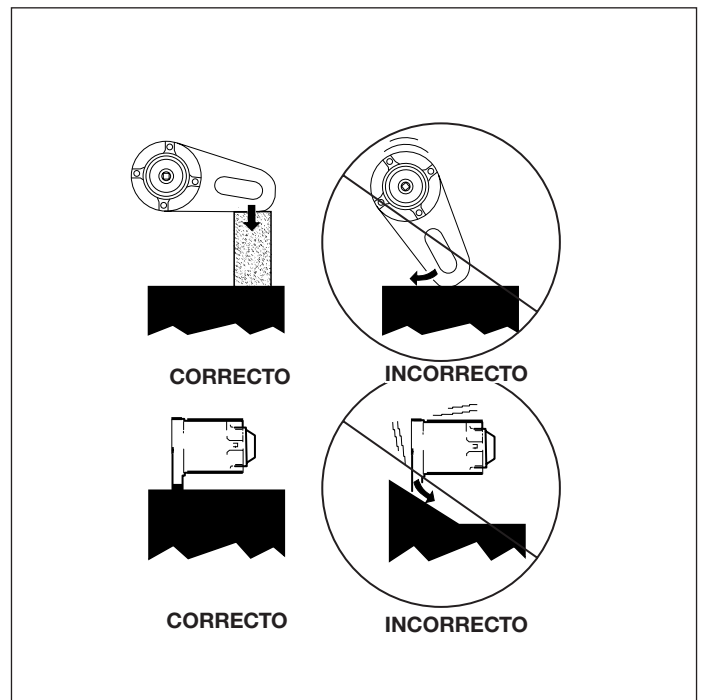


**Fig. 3, Detalle de extremo de entrada (se muestra para rotación en sentido antihorario)**

1. Indicadores de dirección de rotación
2. Tornillo de ajuste de posición neutral
3. Retén selector
4. Portaherramientas de mango cuadrado de entrada hembra de 1/2 pulgada



**Fig. 4**



**Fig. 7, Mantener el anclaje de reacción perpendicular al punto de reacción.**

## 5.0 DESCRIPCIÓN Y CARACTERÍSTICAS DE DISEÑO

Las direcciones de entrada y salida son las mismas. (EJEMPLO: La rotación de entrada en sentido horario crea una rotación de salida en sentido horario). Los multiplicadores de par utilizan una acción de engranaje planetario para ajustar/aflojar con una rotación de 360° continua ya sea en sentido horario o antihorario. Un dispositivo interno, bidireccional y anti-contrapresión inhibe la liberación de retroceso de par accidenta

**NOTA:** La fuerza de reacción es igual a la fuerza de salida y tiene una dirección opuesta a la fuerza de rotación de entrada/salida.

Las barras de reacción se mantienen en su lugar utilizando un pasador fiador o un tornillo de cabeza Allen, dependiendo del modelo. Las placas de reacción están sujetas con tornillos de cabeza Allen.

Un portaherramienta de mango cuadrado de salida de deslizamiento controlado (Fig. 1, elemento 4) protege los componentes internos en caso de que se exceda la capacidad de salida máxima. Esta característica de protección contra sobrecarga puede hacer que el portaherramienta se fracture cuando la salida excede un 103% a un 110% de la capacidad de salida nominal. Se incluye un portaherramienta de repuesto con el multiplicador de par (E391, E392, E393, E492, E493, E494, E495). (Solicitar repuestos adicionales a su distribuidor Enerpac).

El retén selector (Fig. 3, elemento 3) deberá ajustarse en posición neutral y el tornillo de ajuste de posición neutral (Fig. 3, elemento 3) deberá ajustarse para bloquear el retén selector para el funcionamiento de la unidad motriz. Controla la dirección de rotación del multiplicador de par para una entrada manual. (No disponible en los modelos E290+, E291, E391). No utilizar llaves de impacto para el accionamiento motriz ya que podrían ocasionarse daños al tren de fuerza del multiplicador.

## 6.0 CONVERSIONES DE PAR

Una placa de datos fijada al multiplicador de par muestra el par de entrada necesario para obtener los valores de par de salida enumerados. Para calcular el valor de entrada específico no enumerado en la placa de datos, dividir el par de salida deseado por el coeficiente de par del multiplicador. Consultar las Tablas de especificación.

## 7.0 FUNCIONAMIENTO MANUAL

1. **NOTA:** La fuerza de reacción es igual a la fuerza de salida y tiene una dirección opuesta a la rotación de entrada/salida.
2. Ajustar la dirección de rotación deseada al desplazar el retén selector (Fig. 3, elemento 3) en la dirección indicada con las letras y las flechas de dirección que están marcadas en la caja del extremo de salida (Fig. 3, elemento 1). EJEMPLO: "CCW" para rotación en dirección antihoraria, desplazar el retén al extremo del recorrido en la dirección que muestra la flecha "CCW". Para rotación en sentido horario, desplazar el retén a la dirección "CW" opuesta. (No disponible en los modelos E290+, E291, E391).
3. Acoplar el zócalo hembra del portaherramienta de mango cuadrado del tamaño adecuado al portaherramienta de mango cuadrado de salida del multiplicador de par (Fig. 1, elemento 4). Posicionar el zócalo y el multiplicador de par en el elemento de sujeción para ajustarlos.
4. Modelos con placa de reacción: Colocar el zócalo del tamaño adecuado en el portaherramienta de mango cuadrado

secundario y acoplarlo al elemento de sujeción adyacente.

Modelos con barra de reacción: Empalmar la barra de reacción de manera segura contra un objeto adecuado.

**NOTA:** Cuando el zócalo esté posicionado adecuadamente en el elemento de fijación, la barra de reacción deberá estar en los ángulos correctos con respecto al elemento de sujeción al cual se está aplicando el par (Fig. 7). Véase Información de la aplicación, sección 10.0 para obtener información sobre la reacción del multiplicador de par.

5. Ajustar utilizando una llave dinamométrica: Determinar el par de entrada adecuado requerido (consultar la placa de datos de par en la herramienta) o consultar la sección 4.0 Tablas de especificación. La precisión del par de salida requiere una llave dinamométrica precisa en serie con el multiplicador de par. Aplicar el par con la llave dinamométrica hasta que se logre el par de entrada deseado (Fig. 5).



**ADVERTENCIA:** Un fallo del portaherramientas de mango cuadrado de salida, debido a sobrecarga o fatiga de par, podría ocasionar una liberación inmediata del par, posiblemente haciendo que el multiplicador de par se soltara del elemento de sujeción y ocasionara una lesión personal.

6. Para retirar el multiplicador de par del elemento de sujeción:  
**Modelos anti-contrapresión:** con una llave dinamométrica, aplicar suficiente par de entrada para disparar el dispositivo interno anti-contrapresión; mantener el par de entrada y desplazar el retén selector (Fig. 3, elemento 3) a la posición contraria. (EJEMPLO: un retén ajustado en la posición "CW" requiere ajustarse a la posición "CCW"). Lentamente disminuya el par de entrada. (No disponible en los modelos E290+, E291 o E391).  
**Modelos estándar:** aplicar el par hasta el régimen de trabajo deseado, después disminuir lentamente el par de entrada y retirar el multiplicador de la aplicación (modelos E290+, E291, o E391).
7. Aflojar utilizando una llave dinamométrica: Seguir el mismo procedimiento que para ajustar, excepto que el retén selector se debe ajustar en la posición opuesta.

## 8.0 FUNCIONAMIENTO NEUMÁTICO

Utilizar una unidad motriz **sin impacto** aprobada con los modelos: (sólo E391, E392, E393, E492, E493, E494 o E495).

**Bloquear el retén selector en la posición neutral** al centrarlo entre las posiciones "CW" y "CCW" y ajustar el tornillo de ajuste (Fig. 3, elemento 2).

**NOTA:** Si está ajustado en la posición adecuada, el retén selector NO se moverá en ninguna dirección cuando el tornillo de ajuste de posición neutral esté ajustado.

## 9.0 REEMPLAZO DE UN CONJUNTO DE PORTAHERRAMIENTA DE MANGO CUADRADO

### 9.1 Modelos E290PLUS, E291

1. Retirar el anillo de retención y las cuñas circulares (Figura 4) del extremo de entrada de la carcasa del multiplicador de par.
2. Retirar el conjunto de la caja de engranajes de la corona dentada (carcasa del multiplicador de par).
3. Retirar el piñón de entrada del conjunto de la caja de engranajes con un movimiento de tracción y torsión.

Utilizar una prensa de husillo para retirar las clavijas de los engranajes planetarios (Figura 4).

4. Reemplazar el conjunto de la caja de engranajes con un repuesto genuino de Enerpac.
5. Volver a ensamblar los engranajes planetarios en el conjunto de la caja utilizando una prensa de husillo.
6. Lubricar todos los puntos de fricción con una grasa de alto grado de disulfuro de molibdeno.
7. Volver a ensamblar el piñón de entrada, instalar el conjunto en la corona dentada (carcasa del multiplicador de par). Volver a ensamblar las cuñas y el anillo de retención.

## 9.2 Modelos E391, E392, E393, E492, E493, E494, E495

1. Retirar los tornillos (Fig. 1, elemento 2) que sostienen la placa de reacción (Figura 1, elemento 1) al multiplicador de par y retirar la placa de reacción del multiplicador de par.
2. Retirar el pasador que acopla la caja de engranajes al portaherramienta de mango cuadrado de salida y retirar el portaherramienta de mango cuadrado de salida anterior.
3. Insertar el conjunto del portaherramienta de mango cuadrado de reemplazo en el carro del portaherramienta de mango cuadrado, alineando el orificio en la parte inferior del portaherramienta de mango cuadrado de reemplazo con el orificio en el carro del portaherramienta de mango cuadrado.
4. Insertar el pasador a través del orificio en el carro del portaherramienta de mango cuadrado en el orificio en el portaherramienta de mango cuadrado de reemplazo.
5. Volver a acoplar la placa de reacción al multiplicador de par con los tornillos que se retiraron anteriormente (Fig. 1, elemento 2).

## 10.0 INFORMACIÓN DE LA APLICACIÓN

### 10.1 Reacción del multiplicador de par

1. La absorción de las fuerzas de reacción del multiplicador de par se puede lograr utilizando las prácticas comunes enunciadas aquí.
2. Primero considerar el tamaño y el tipo de la herramienta de par necesaria para la aplicación. Investigar las limitaciones de espacio así como el par máximo necesario. Permitir un mínimo del 50% de capacidad adicional en la herramienta para el par de inicio. **NOTA:** Los elementos de sujeción dañados o con corrosión pueden requerir mayor capacidad de par de inicio. Permitir un mínimo de un 100% sobre el par de compensación para estas condiciones. Ejemplo: Pasadores con corrosión y un par de compensación de 2.034 Nm (1.500 lb-pies). Elegir una herramienta con una capacidad de la menos 4.068 Nm (3.000 lb-pies) para el inicio.
3. Seleccionar un punto de anclaje sólido para minimiza la curvatura. Determinar en dónde se ejercerán las fuerzas de reacción (por ejemplo, contra una pestaña o sobre un tornillo adyacente). **NOTA:** Este punto deberá soportar las fuerzas de reacción del par de la herramienta. Ejemplo: Un multiplicador de par de 4340 Nm (3.200 lb-pies), con una reacción cerca del extremo de su cabo de anclaje (figura 5) produce una fuerza de reacción de 2902,99 kg fuerza (6.400 libras). Disminuir la fuerza de reacción a 1088,62 kg fuerza (2.400 libras) moviendo el punto de reacción hacia el extremo de la placa/barra de reacción. Mantener el punto de reacción tangente a la rotación del par de salida para evitar mayores fuerzas de reacción (figuras 6 y 7).

4. Mantener la rotación del par de salida pura al disminuir los momentos de flexión. Los momentos de flexión disminuyen la eficacia del par e incrementan el esfuerzo de la herramienta y los zócalos. Mantener la menor distancia posible entre la salida de la herramienta y el elemento de sujeción (figura 6).
5. Incrementar la vida útil de la herramienta y la seguridad del entorno de trabajo llevando la reacción de par tan lejos del anclaje de reacción como sea posible (Fig. 5).

### 10.2 GRADUADOR DE ÁNGULO DE GIRO

Algunos multiplicadores de par incluyen un graduador de ángulo de giro. Esto permite que el operador mida con precisión un número específico de grados de rotación del elemento de sujeción. El método de ajuste de los elementos de fijación de par / ángulo de rotación requiere un valor de par previo y un rotación adicional específica del elemento de sujeción que se fabrica en la aplicación. Estos datos los proporcionará el departamento de ingeniería del fabricante del equipo original si el ajuste de par del ángulo de rotación no es aplicable.

L2677 Rev. C 05/19

Reparatie/Onderdelenlijsten voor deze producten zijn te downloaden van de Enerpac Website [www.enerpac.com](http://www.enerpac.com) of verkrijgbaar via uw Enerpac Service Centre of vertegenwoordiger.

#### 1.0 BELANGRIJKE INSTRUCTIES BIJ ONTVANGST

Controleer visueel alle onderdelen op schade opgelopen tijdens de verzending. Schade opgelopen tijdens de verzending wordt niet door de garantie gedekt. Als schade opgelopen tijdens de verzending wordt gevonden, de transporteur hier onmiddellijk van op de hoogte stellen. De transporteur is verantwoordelijk voor alle reparatie- of vervangingskosten als gevolg van opgelopen schade tijdens de verzending.

#### VEILIGHEID VOOROP

#### 2.0 VEILIGHEIDSKWESTIES



Lees nauwkeurig alle instructies, waarschuwingen en letop-gedeelten. Volg alle veiligheidsvoorzieningen om persoonlijk letsel of schade aan eigendom te voorkomen als het systeem in werking is. Enerpac kan niet verantwoordelijk worden gesteld voor schade of letsels als gevolg van onveilig gebruik van dit product, gebrek aan onderhoud, of onjuiste toepassing van het product of het systeem. Neem contact op met Enerpac mocht u twijfels hebben over veiligheidsvoorzieningen en werkingen. Als u nooit een opleiding in hogedruk hydraulische veiligheid hebt gevolgd neem dan contact om met uw verdeel- of servicecentrum voor een gratis veiligheids cursus van Enerpac Hydraulics.

Het niet volgen van deze waarschuwingsboodschappen en voorzorgsmaatregelen kan schade aan de machine en persoonlijk letsel veroorzaken.

**LET OP** wordt gebruikt om correcte bedienings- en onderhoudsprocedures en praktijken aan te duiden om schade aan, of vernietiging van, machines of andere eigendom te voorkomen.

**WAARSCHUWING** wijst op een mogelijk gevaar dat de juiste procedures en praktijken vereist om persoonlijk letsel te voorkomen.

**GEVAAR** wordt enkel gebruikt als uw actie of gebrek aan actie ernstig letsel of zelfs de dood tot gevolg kan hebben.



**WAARSCHUWING:** Zorg voor voldoende stevige grip met de hand van de krachtvermeerderaar of handgreep bij het loskoppelen in verband met terugslag.



**WAARSCHUWING:** Voorkom onopzettelijke loskoppeling van het draaimoment; stel de neutrale plaatsingafstelschroef (fig. 3, item 2) gelijk met de bovenkant van het huis, wanneer de krachtvermeerderaar MET DE HAND wordt bediend. De pal voor de draairichtingskeuze (fig. 3, item 3) moet ook vrij kunnen werken in de CW- en CCW-posities. Indien niet goed ingesteld kan persoonlijk letsel het gevolg zijn.



**WAARSCHUWING:** Houd de afsteunarm of afsteunplaat van de krachtvermeerderaar (fig. 1, item 1) tijdens het aanbrengen van het aanhaalmoment niet vast. Normale verdraaiing kan een knelpunt kunnen veroorzaken.



**WAARSCHUWING:** Vóór ELK gebruik moeten de bevestigingsschroeven van de reactieplaat/-greep worden gecontroleerd om te verzekeren dat zij stevig vastzitten (fig. 1, item 2).



**WAARSCHUWING:** Vóór ELK gebruik moet de vierkantaandrijving (fig. 1, item 4) worden gecontroleerd geïnspecteerd op zichtbare tekenen van slijtage, vermoeiing of breuk. Indien noodzakelijk vervangen.



**WAARSCHUWING:** Vóór ELK gebruik moet de vierkantaandrijving (fig. 1, item 4) worden gecontroleerd op zichtbare tekenen van slijtage, vermoeiing of breuk. Indien noodzakelijk vervangen.



**WAARSCHUWING:** Het falen van de vierkantaandrijving kan onmiddellijk losschieten van de krachtvermeerderaar tot gevolg hebben; de krachtvermeerderaar kan uit de bevestiging vallen en in persoonlijk letsel resulteren.



**WAARSCHUWING:** Bij gebruik van een uitvoeraandrijfverlenging (alleen op reactieplaat-modellen) is een tweezijdige reactieplaat vereist. Nalaten een tweezijdige reactieplaat te gebruiken kan er de oorzaak van zijn dat de krachtvermeerderaar zijwaarts op de toepassing geforceerd wordt, wat het breken van de krachtvermeerderaar en/of dop tot gevolg heeft.



**WAARSCHUWING:** Gebruik geen uitvoeraandrijfverlengingen op modellen met een reactiegreep. Dit kan tot persoonlijk letsel leiden.



**WAARSCHUWING:** Gebruik een afsteunpunt wat de reactiekracht kan weerstaan. De reactiekracht is gelijk aan het uitgaande aanhaalmoment of kracht.



**WAARSCHUWING:** Draag de juiste persoonlijke beschermende kleding bij het werken met hydraulische machines.



**WAARSCHUWING:** Blijf uit de buurt van ladingen die hydraulisch worden ondersteund. Een cilinder die wordt gebruikt als een hefinrichting mag nooit worden gebruikt als een lasthouder. Nadat de lading omhoog of omlaag is gebracht, moet deze altijd mechanisch worden geblokkeerd.



### WAARSCHUWING: GEBRUIK ENKEL STIJVE MATERIALEN OM DE LADINGEN VAST TE HOUDEN.

Kies met zorg stalen of houten blokken die een lading kunnen ondersteunen. Gebruik nooit een hydraulische cilinder als een pakkingschijf of een afstandstuk in enige toepassing waarbij opheffen of drukken wordt gebruikt.



**WAARSCHUWING:** Versleten of beschadigde onderdelen onmiddellijk met authentieke ENERPAC onderdelen vervangen. Standaardonderdelen breken, wat tot persoonlijk letsel en schade aan eigendom kan leiden. ENERPAC onderdelen zijn zodanig ontworpen dat ze precies passen en hoge ladingen kunnen weerstaan.

## 3.0 INSTRUCTIES



Lees en begrijp deze bedieningsinstructies vóór gebruik van de krachtvermeerderaar.

**N.B.: GEBRUIK GEEN MOERAANZETTER OP DE KRACHTVERMEERDERAAR. DIT VEROORZAAKT SCHADE AAN HET APPARAAT.**

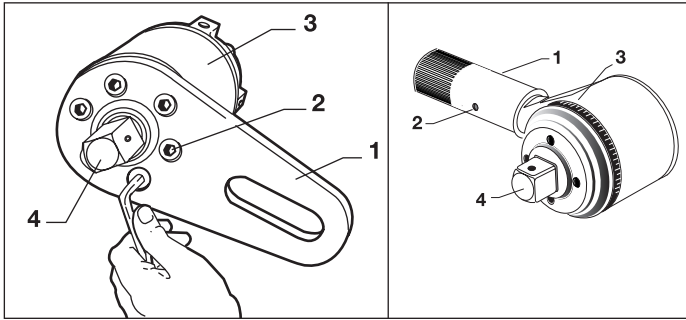
1. Bij gebruik van een invoer met KRACHT-aandrijving moet de pal voor de draairichtingskeuze met gebruikmaking van de neutrale plaatsingafstelschroef in de neutrale stand worden vergrendeld (fig. 3, item 2).
2. Bij het plaatsen van de krachtvermeerderaar moet ervoor worden gezorgd dat de aan de uitvoer bevestigde (zeskant) dop zodanig geplaatst is dat de reactieplaat op een rechte hoek met de bevestiging staat. De torsiereactie creëert rotatiekracht naar de tegenovergestelde kant van waar de invoerkracht wordt toegepast. Zie de Toepassingsinformatiesectie 10.0 voor meer reactie-informatie van de krachtvermeerderaar.
3. Pas NIET meer aanhaalmoment toe dan de toepassing kan weerstaan. Het losbreekmoment is hoger dan het aanhaal- of vastdraaimoment. Houd er rekening mee dat het losbreekmoment 50% hoger kan zijn dan het vastdraaimoment. Gebruik voor het losdraaien (losbreekmoment) een krachtvermeerderaar met een capaciteit van 1 ½ keer het vastdraaimoment. Beschadigde en verroeste bevestigingen kunnen zelfs een veel hoger losbreekmoment vereisen.
4. Controleer het ingangsmoment met een handbediende momentsleutel. Wanneer een krachtvermeerderaar wordt gebruikt zonder een momentsleutel, moet u onthouden dat het **uitgaand moment** aanzienlijk groter is dan het ingangsmoment.
5. **Verleng de levensduur van de krachtvermeerderaar.** Houd de kortst mogelijke verbinding tussen de vierkantaandrijving van de krachtvermeerderaar (fig. 6) en de (zeskant) dop en bout of moer in kwestie. Pas een zo lang mogelijke afstand tussen de krachtvermeerderaar en het reactiepunt (fig. 5).
6. Bescherm uw garantie: gebruik uitsluitend door Enerpac goedgekeurde vierkantaandrijving en vervangingsonderdelen.

#### 4.0 SPECIFICATIETABELLEN

Modelnummers		E290PLUS	E291	E391	E392	E393
Uitgaand moment, Nm (ft-lb)		1.020 (750)	1.358 (1,000)	1.627 (1,200)	2.983 (2,200)	4.340 (3,200)
Ingangsmoment, Nm (ft-lb)		339 (250)	451 (333)	271 (200)	220 (162)	234 (173)
Overbrengingsverhouding		3:1	3:1	6:1	13.6:1	18.5:1
Nauwkeurigheid		±5% aflezing van 20% tot 100% volledige capaciteit				
Afmeting Vierkantaandrijving (uitwendig) mm (inch)		19 (.75)	19 (.75)	19 (.75)	25.4 (1)	25.4 (1)
Afmeting Vierkantaandrijving (inwendig) mm (inch)		13 (.5)	13 (.5)	13 (.5)	13 (.5)	13 (.5)
Algemene afmetingen mm (in.) (zie fig. 2)	Lengte <b>A</b>	217 (8.53)	443 (17.06)	497 (19.56)	498 (19.6)	498 (19.6)
	Tandwielkast Ø <b>B</b>	71 (2.81)	71 (2.81)	100 (3.94)	103 (4.06)	103 (4.06)
	Hoogte <b>C</b>	83 (3.25)	83 (3.25)	102 (4.00)	146 (5.75)	165 (6.5)
Gewicht in kg. (lb.)		1,8 (4)	2,5 (5.5)	4,1 (9.1)	6,9 (15.2)	8,3 (18.3)
Planetaire tandwieloverbrengingsfases		Eén	Eén	Eén	Twee	Twee
Naaldlagers		–	–	Ja	Ja	Ja
Gradenboog (nonius)		Nee	Nee	Ja 5° oploop	Ja 5° oploop	Ja 5° oploop
Moment-omrekeningstabel		Nee	Nee	Ja	Ja	Ja
Vierkantaandrijving met breekpen		Nee	Nee	Ja	Ja	Ja

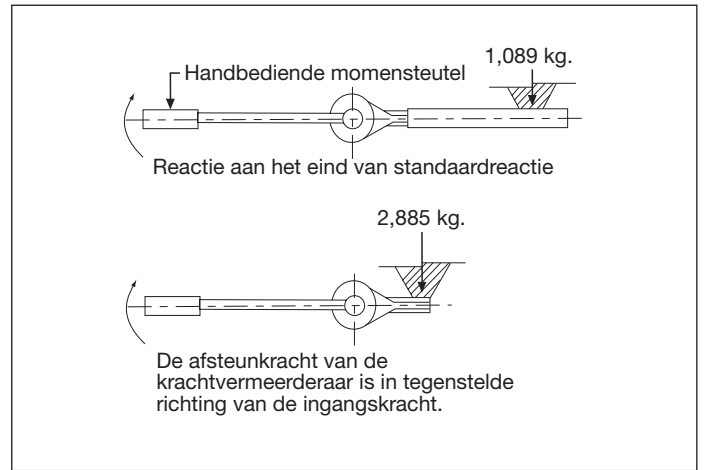
Modelnummers		E492	E493	E494	E495
Uitgaand moment, Nm (ft-lb)		2.983 (2,200)	4.339 (3,200)	6.779 (5,000 )	10.846 (8,000)
Ingangsmoment, Nm (ft-lb))		220 (62)	235 (173)	256 (189)	209 (154)
Overbrengingsverhouding		13.6:1	18.5:1	26.5:1	52.1
Nauwkeurigheid		±5% aflezing van 20% tot 100% volledige capaciteit			
Afmeting Vierkantaandrijving (uitwendig) mm (inch)		25.4 (1)	25.4 (1)	38 (1.5)	38 (1.5)
Afmeting Vierkantaandrijving (inwendig) mm (inch)		13 (1/2)	13 (1/2)	13 (1/2)	13 (1/2)
Algemene afmetingen mm (in.) (zie fig. 2)	Lengte <b>A</b>	356 (14.0)	356 (14.0)	378 (14.88)	387 (15.2)
	Tandwielkast Ø <b>B</b>	124 (4.88)	124 (4.88)	143 (5.63)	148 (5.81)
	Hoogte <b>C</b>	140 (5.5)	163 (6.41)	222 (8.75)	273 (10.75)
Gewicht in kg. (lb.)		7,8 (17.2)	8,9 (19.5)	15,4 (34)	22,8 (50.3)
Planetaire tandwieloverbrengingsfases		Twee	Twee	Twee	Drie
Naaldlagers		Ja	Ja	Ja	Ja
Gradenboog (nonius)		Nee	Nee	Nee	Nee
Moment-omrekeningstabel		Ja	Ja	Ja	Ja
Vierkantaandrijving met breekpen		Ja	Ja	Ja	Ja



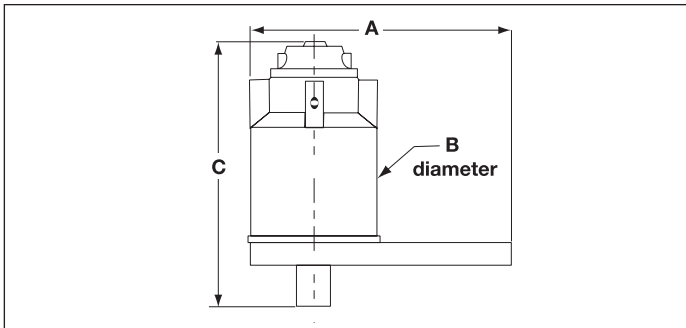


**Fig. 1 – De afsteunplaat vervangen**

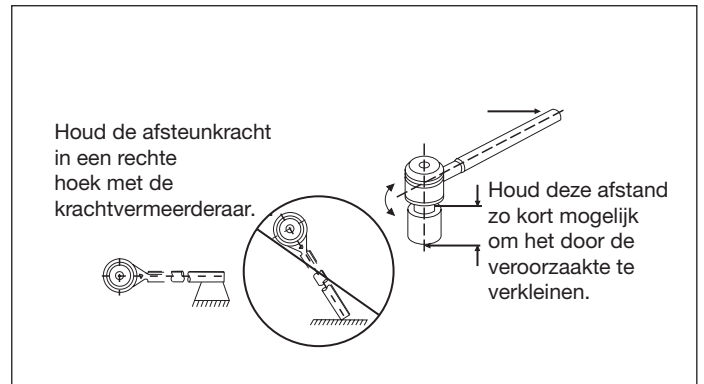
1. Afsteunplaat of afsteunarm
2. Inbusbouten
3. Krachtvermeerderaar
4. Vierkantaandrijving met breekpen



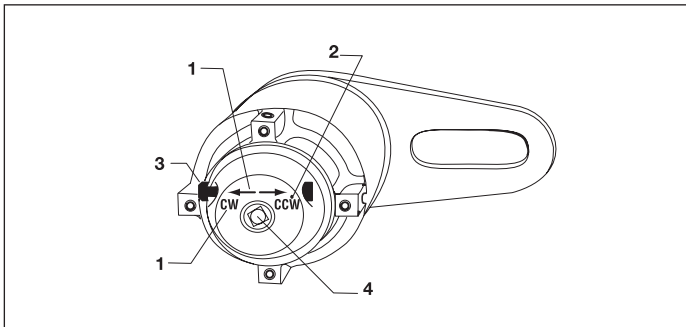
**Fig. 5 – Afsteunkracht wordt groter naarmate de afstand tussen vierkantaandrijving en afsteunpunt korter wordt**



**Fig. 2 – Afmetingen krachtvermeerderaar**

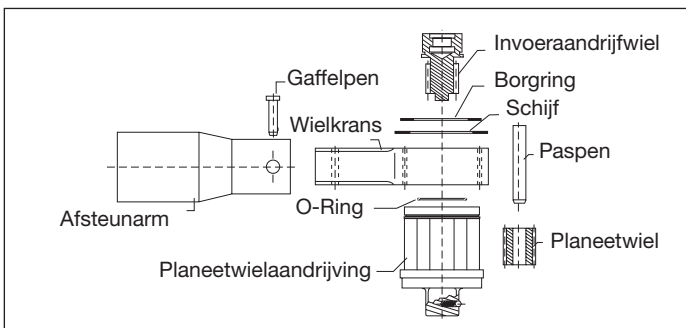


**Fig. 6 – Houd de torsie als gevolg van de afsteunkracht van krachtvermeerderaar zo klein mogelijk**

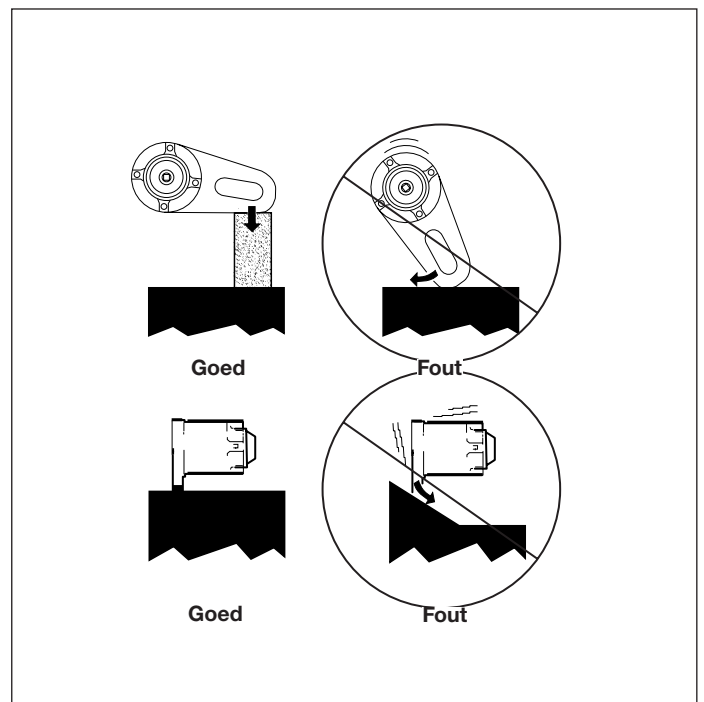


**Fig. 3 – Detail ingangszijde (set voor CW-rotatie getoond)**

1. Draairichtingindicators
2. Neutrale plaatsing-afstelschroef
3. Pal voor draairichtingskeuze
4. 1/2 inch inwendige vierkantaandrijving



**Fig. 4**



**Fig. 7 – Houd de afsteunplaat loodrecht op het reactiepunt**

## 5.0 BESCHRIJVING EN ONTWERPVOORZIENINGEN

De ingaande- en uitgaande draairichting zijn dezelfde. (VOORBEELD: De ingaande draairichting, bijvoorbeeld rechtsom (CW), creëert een uitgaande draairichting rechtsom (CW). Krachtvermeerders gebruiken planetaire tandwielacties voor het aanhalen/losmaken met een ononderbroken 360° rotatie naar rechts of naar links. Een inwendige, bi-directionele antiterugslagbeveiligingapparaat verhindert eventuele terugslag (niet beschikbaar op de E290+, E291, E391).

**N.B.:** De afsteun- of reactiekracht is gelijk aan de uitgaande (aanhaal)kracht en gaat in de tegenovergestelde richting van de ingangs- en uitgaande kracht.

Afhankelijk van de krachtvermeerderaar-type wordt reactiearm op de plaats gehouden met een aanslagpen of inbuskopschroef. De reactiearmen zitten met inbuskopschroeven bevestigd.

Een vierkantaandrijving met breekpen (fig. 1, item 4) beschermt de inwendige onderdelen, voor het geval het maximale uitgaande moment wordt overschreden. Deze overbelasting-beschermingsfunctie veroorzaakt een breuk in de breekpen wanneer het uitgaande moment met 103 tot 110% wordt overschreden. Bij de krachtvermeerders (E391, E392, E393, E492, E493, E494, E495) wordt één vervangingsaandrijving bijgeleverd. (Extra vervangingsonderdelen moeten bij uw Enerpac-distributeur worden besteld.)

De omkeerpal voor links- of rechtsomdraaien (fig. 3, item 3) moet in de neutrale stand worden ingesteld, en de afstelschroef voor de neutrale stand (fig. 3, item 3) moet worden vastgedraaid om deze omkeerpal voor de aandrijfwerking van de krachtvermeerderaar te vergrendelen. Dit regelt de draairichting voor met de hand toegepaste invoer (niet beschikbaar op de E290+, E291- en E391-modellen). Gebruik geen moeraanzetter op de krachtvermeerderaar dit heeft schade aan het aandrijfmechanisme tot gevolg.

## 6.0 IN- EN UITGAAND AANHAALMOMENT EN CONVERSIES

Aan de krachtvermeerderaar bevestigde gegevensplaatje toont het vereiste ingaande moment om het gewenste uitgaande moment te verkrijgen. Om een niet op het gegevensplaatje vermelde specifieke invoerwaarde te berekenen, moet het gewenste uitgaande aanhaalmoment worden gedeeld door de overbrengingsverhouding van de krachtvermeerderaar. Zie de Specificatietabellen.

## 7.0 HANDBEDIENDE WERKING

1. **N.B.:** De afsteunkracht van de krachtvermeerderaar is gelijk aan uitgaande kracht (aanhaalmoment) en in tegenstelde richting van de ingangskracht.
2. Stel de gewenste draairichting in door de selectiepal (fig. 3, item 3) in te drukken in de richting, aangegeven door de letters en op de invoereindkast gestempelde richtingspijlen (fig. 3, item 1). VOORBEELD: "CCW" voor rotatie naar links: druk de pal naar het eind in de door de "CCW"-pijl aangegeven richting. Voor rotatie naar rechts: druk de pal in de tegenovergestelde "CW"-richting (niet beschikbaar op de E290+, E291- en E391-modellen).
3. Gebruik de juiste maat (zeskant)dop met binnenvierkant op de uitwendige vierkantaandrijving van de krachtvermeerderaar. (fig. 1, item 4). Plaats de dop met krachtvermeerderaar op de bout of moer die moet worden vast-, of losgedraaid.

4. Modellen met afsteunplaat: Plaats een dop met van juiste binnenvierkantmaat en maak hem op een aangrenzende bevestiging vast.

Modellen met afsteunarm: Duw de afsteunarm stevig tegen een geschikt voorwerp. N.B.: Nadat de dop juist op de bevestiging geplaatst is, moet de afsteunarm of reactiegreep zich op een rechte hoek bevinden van de bevestiging die wordt vast- of losgedraaid (fig. 7). Zie de Toepassingsinformatie paragraaf 10.0 voor meer informatie.

5. Vastdraaien met een momentsleutel: bepaal het vereiste d ingangsmoment (raadpleeg het gegevensplaatje op de krachtvermeerderaar) of raadpleeg de Specificatietabellen in sectie 4.0. De nauwkeurigheid van het uitgaande moment vereist een nauwkeurige handbediende momentsleutel voor gebruik met handbediende krachtvermeerders. Gebruik de momentsleutel op de krachtvermeerderaar totdat de het gewenste ingangsmoment bereikt wordt (fig. 5).



**WAARSCHUWING:** Het falen van de vierkantaandrijving vierkante uitvoeraandrijving kan de onmiddellijke losschieten van de krachtvermeerderaar loskoppeling van de torsie tot gevolg hebben; de krachtvermeerderaar torsieversterker kan uit de bevestiging vallen en in persoonlijk letsel resulteren.

6. De krachtvermeerderaar van de bevestiging verwijderen:

**Antiterugslagmodellen:** Gebruik een momentsleutelen pas voldoende kracht (ingand moment) toe om een inwendig antiterugslagbeveiliging te ontkoppelen; handhaaf het ingaand moment en druk de selectiepal (fig. 3, item 3) in de tegenovergestelde stand (VOORBEELD: De pal op de "CW"-stand ingesteld vereist opnieuw instellen op de "CCW"-stand). Laat het ingaand moment langzaam afnemen (niet beschikbaar op de E290+, E291- of E391-modellen).

**Standaardmodellen:** Pas het aanhaalmoment tot op het gewenste vermogen toe; laat het ingaand moment daarna langzaam afnemen en verwijder de krachtvermeerderaar uit de toepassing (E290+, E291- of E391-modellen).

7. Losdraaien met een momentsleutel: volg dezelfde procedure als die voor het vastdraaien, behalve dat de selectiepal in de tegenovergestelde stand moet worden ingesteld.

## 8.0 PNEUMATISCHE WERKING

Gebruik een goedgekeurde **niet-impact** krachtinvoer, alleen op de volgende modellen: E391, E392, E393, E492, E493, E494 of E495. **Vergrendel de selectiepal in de neutrale stand** door hem tussen de "CW"- en "CCW"-stand in te stellen en de afstelschroef vast te draaien (fig 3, item 2).

**N.B.:** Indien op de juiste stand ingesteld beweegt de selectiepal in GEEN ENKELE richting wanneer de afstelschroef voor de neutrale stand vastgedraaid is.

## 9.0 EEN VIERKANTE AANDRIJFASSEMBLAGE VERVANGEN

### 9.1 Modellen E290PLUS, E291

1. Verwijder de borgring en schijfjes (fig. 4) uit de invoerkant van de krachtvermeerderaar.
2. Verwijder de tandwielkastassemblage uit de wielkrans (torsieversterkerombouw).

3. Verwijder het invoerdrijf wiel uit de tandwielkastassemblage met trek- en draaibewegingen. Gebruik een mechanisch of hydraulisch persapparaat voor het verwijderen van de paspennen uit de planetaire tandwielen (fig. 4).
4. Vervang de tandwielkastassemblage met echte Enerpacvervangonderdelen.
5. Monteer de planetaire tandwielen weer in de kastassemblage met een mechanisch of hydraulisch persapparaat.
6. Smeer alle frictiepunten met hoogwaardige molybdeen-disulfidevet.
7. Monteer het invoerdrijf wiel opnieuw en installeer de assemblage in de wielkrans. Monteer de plaatjes en borgring opnieuw.

## **9.2 Modellen E391, E392, E393, E492, E493, E494, E495**

1. Verwijder de schroeven (fig. 1, item 2) die de afsteunplaat (fig. 1, item 1) aan de krachtvermeerderaar vastzetten, en verwijder de afsteunplaat uit de krachtvermeerderaar.
2. Verwijder de pen die de tandwielkast aan de vierkante uitvoeraandrijving koppelt, en verwijder de oude vierkante uitvoeraandrijving.
3. Steek de vierkante vervangingsaandrijfassemblage in de vierkante aandrijvingsdrager, en breng het gat in het lagere gedeelte van de vierkante vervangingsaandrijving op één lijn met het gat in de vierkante aandrijvingsdrager.
4. Steek de pen door het gat in de vierkante aandrijvingsdrager en in het gat in de vierkante vervangingsaandrijving.
5. Maak de afsteunplaat weer aan de krachtvermeerderaar vast met de eerder verwijderde schroeven (fig. 1, item 2).

## **10.0 TOEPASSINGSINFORMATIE**

### **10.1 Afsteun- of reactiekrachten**

1. De reactiekrachten van de krachtvermeerderaar absorberen kan worden gedaan door de hier vermelde normale praktijken te gebruiken.
2. Neemeerstdeafmetingenhettypekrachtvermeerderaarvoor de toepassing in aanmerking. Onderzoek de ruimtebeperkingen en de maximaal benodigde moment. Het losbreekmoment kan 50% hoger zijn dan het vastdraaimoment. Gebruik voor het losdraaien (losbreekmoment) een krachtvermeerderaar met een capaciteit van 1 ½ keer het vastdraaimoment. N.B.: Beschadigde en verroeste bevestigingen kunnen zelfs een veel hoger aanhaal- of losbreekmoment vereisen, tot zelfs 2x het theoretische vastdraaimoment. Voorbeeld: Verroeste draadeinden en een aanhaalmoment van 2000 Nm. Kies een apparaat met een capaciteit van minstens 4000 Nm voor het losbreekmoment.
3. Selecteer een vast ankerpunt om doorbuiging de afwijking tot een minimum te beperken. Bepaal waar de reactiekrachten plaats zullen vinden (bijv. tegen een flens of boven een aangrenzende bout). N.B.: Dit punt moet de reactiekrachten van het torsieapparaat kunnen weerstaan. Voorbeeld: Een E493 krachtvermeerderaar met een capaciteit van 4340 Nm uitgaand moment geeft een afsteunkracht van 8680 N (885 kg) aan het begin van de afsteunplaat. Reduceer de afsteunkracht tot 330 kg door het afsteunpunt te verplaatsen naar het eind van de afsteunplaat. (fig. 6 en 7).
4. Voorkom buiging en houd de hoogte-afstand tussen krachtvermeerderaar, dop en bout of moer zo laag mogelijk. Dit verkleint de torsie (buiging en vredraaiing). (fig. 6).

5. Verleng de levensduur van het apparaat en verhoog de veiligheid in de werkomgeving door het afsteunpunt zo ver mogelijk op het eind van de reactiearm- of plaat te plaatsen (fig. 5).

### **10.2 GRADENBOOG (NONIUS) VOOR DE DRAAIHOEK**

Sommige krachtvermeerderaars hebben een gradenboog voor de draaihoek. Dit laat de gebruiker een specifiek aantal rotatiegraden van de bevestiging meten. De draaihoekmethode voor het vastdraaien van bevestigingen vereist een waarde vóór het aanbrengen van het moment en een specifieke extra rotatie van de bevestiging, die in de toepassing ingebouwd is. Deze gegevens worden door de technische afdeling van de oorspronkelijke fabrikant van het apparaat verstrekt indien de draaihoek-methode van toepassing is.

L2677 Rev. C 05/19

Folhas de Instrução para este produto estão disponíveis no Site de Enerpac - [www.enerpac.com](http://www.enerpac.com), ou no Centro de Serviço Autorizado mais próximo, ou com o Escritório de Vendas Enerpac.

#### 1.0 INSTRUÇÕES IMPORTANTES NO RECEBIMENTO

Inspecione visualmente todos os componentes verificando se houve avarias durante o transporte. Avarias no transporte não são cobertas pela garantia. Caso haja avarias no transporte, avise o transportador imediatamente. O transportador é responsável por todos os custos de consertos e substituições decorrentes de avarias ocorridas no transporte.

#### SEGURANÇA EM PRIMEIRO LUGAR

#### 2.0 ASSUNTOS DE SEGURANÇA



Leia cuidadosamente todas as instruções, advertências e avisos sobre precaução. Siga todas as recomendações de segurança para evitar lesões pessoais ou danos à propriedade durante a operação do sistema. Enerpac não pode ser responsável por danos ou lesões pessoais resultantes do uso indevido do produto, falta de manutenção ou operação inadequada do produto e/ou sistema. Entre em contato com Enerpac quando houver dúvidas sobre as recomendações de segurança e operações. Se você nunca recebeu treinamento em segurança na hidráulica de alta pressão, consulte o seu distribuidor ou centro de serviço sobre um curso de segurança hidráulica Enerpac.

Falhas no cumprimento das advertências e avisos de precaução podem causar lesões pessoais e avarias ao equipamento.

**PRECAUÇÃO** é usada para indicar a operação correta ou os procedimentos e métodos de manutenção para prevenir o dano, a destruição do equipamento ou outras propriedades.

**ADVERTÊNCIA** indica um perigo potencial que exige procedimentos ou métodos corretivos para evitar lesões pessoais.

**PERIGO** é usado somente quando a ação ou a falta da mesma podem causar lesões sérias ou mesmo a morte.



**AVISO:** Com as mãos, mantenha o controle firme do torquímetro ou da alavanca de entrada ao liberar o multiplicador, uma vez que um recuo (enrosco) será sentido.



**AVISO:** Evite liberação acidental de torque; ajuste o conjunto de parafusos embutido na parte superior da carcaça para a posição de neutro (Fig. 3, Item 2) sempre que o multiplicador de torque é acionado MANUALMENTE. A canopla seletora (Fig. 3, Item 3) deve, também, trabalhar livremente nas posições CW e CCW. Danos pessoais podem ocorrer, se não ajustados corretamente.



**AVISO:** Não segure a barra de reação ou o disco de reação (Fig. 1, Item 1) ao aplicar torque. O deslocamento normal do multiplicador poderia beliscar um ponto.



**AVISO:** Antes de cada utilização, verifique a precisão do torquímetro manual. Multiplicadores de torque aumentarão substancialmente o torque; danos ao trabalho podem ser o resultado.



**AVISO:** Antes de CADA utilização, verifique o disco de reação/parafusos de fixação da barra para garantir que estão apertados (Fig. 1, Item 2).



**AVISO:** Antes de CADA utilização, inspecione o inserto de cabeça quadrada de saída (Fig. 1, Item 4) para sinais visíveis de fadiga ou ruptura. Substitua, se necessário.



**AVISO:** Falha no inserto de cabeça quadrada de saída pode resultar em uma liberação imediata de torque; o multiplicador de torque poderia cair do prendedor e resultar em danos pessoais.



**AVISO:** Ao utilizar uma extensão no inserto (modelos com Disco de Reação somente), é necessário um disco de reação com duas extremidades. Falha na utilização de um disco de reação com duas extremidades poderia gerar forças laterais no multiplicador de torque durante a aplicação, resultando em quebra do multiplicador ou do soquete.



**AVISO:** Não utilize extensões nos insertos de saída nos modelos com Barra de Reação. Danos pessoais podem ocorrer.



**AVISO:** Selecione um ponto de ancoragem que seja suficiente para suportar as forças de reação. Torque de reação é igual ao torque de saída.



**ADVERTÊNCIA:** Use equipamentos individuais de proteção quando acionar equipamentos hidráulico.



**ADVERTÊNCIA:** Mantenha distância de cargas apoiadas por cilindros hidráulicos. Um cilindro, quando utilizado como dispositivo de levantamento, jamais deve ser usado como dispositivo de sustentação de carga. Depois de haver sido levantada ou baixada, a carga deve sempre ser bloqueada mecanicamente.



**ADVERTÊNCIA: USE SOMENTE PEÇAS RÍGIDAS PARA APOIAR AS CARGAS.** Selecione cuidadosamente blocos de madeira ou ferro que sejam capazes de sustentar a carga. Nunca use um cilindro hidráulico como um calço ou espaçador em qualquer aplicação de levantamento ou prensagem.



**ADVERTÊNCIA:** Substitua imediatamente peças gastas ou danificadas por peças genuínas Enerpac. Peças não genuínas podem quebrar, causando lesões pessoais ou danos à propriedade. As peças Enerpac são projetadas para se encaixar adequadamente e sustentar cargas pesadas.

### 3.0 INSTRUÇÕES



Leia e entenda estas instruções de operação antes de usar o Multiplicador de Torque.

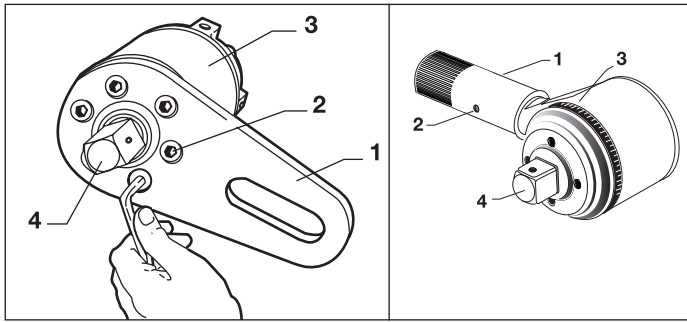
**NOTA: NÃO USE UM TORQUÍMETRO DE IMPACTO NO MULTIPLICADOR DE TORQUE. OCORRERÃO DANOS ÀS FERRAMENTAS.**

1. Quando usar uma entrada de ENERGIA direcionada, trave a canopla seletora na posição de neutro usando o conjunto de parafusos de posicionamento (Fig. 3 Item 2).
2. Ao posicionar o multiplicador de torque, certifique-se de que o soquete fixado na saída está posicionado de forma que o disco de reação esteja em ângulo correto com o prendedor. Reações de torque criam uma força rotacional na direção oposta àquela em que a força de entrada é aplicada. Veja Informações sobre Aplicações, Seção 10.0 para informações adicionais sobre reações do multiplicador de torque.
3. **NÃO** aplique mais torque do que a aplicação pode sustentar. A desobstrução do torque pode ser maior que o torque de entrada. Permita um mínimo de 50% de capacidade adicional da ferramenta para a desobstrução de torque. Prendedores danificados ou corroídos podem exigir uma capacidade ainda maior na desobstrução de torque.
4. Monitore a entrada do torque usando um torquímetro. Se o multiplicador de torque for utilizado sem um torquímetro, lembre-se de que o **torque de saída** é significativamente maior do que o **torque de entrada**.
5. **Aumente a vida do Multiplicador de Torque.** Mantenha a menor distância possível entre o encaixe da saída do Multiplicador de Torque (Fig. 6) e o prendedor que está sendo trabalhado. Mantenha a maior distância possível entre o Multiplicador de Torque e o ponto de reação (Fig. 5).
6. Proteja sua garantia, use somente insertos de encaixe quadrado de saída e peças de reposição Enerpac.

#### 4.0 TABELAS DE ESPECIFICAÇÕES

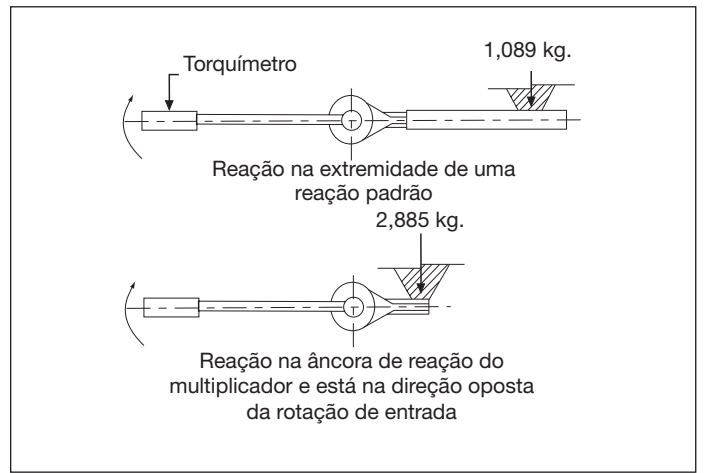
Modelos		E290PLUS	E291	E391	E392	E393
Capacidade de Saída, Nm (Pés-Libras)		1.020 (750)	1.358 (1,000)	1.627 (1,200)	2.983 (2,200)	4.340 (3,200)
Capacidade de Entrada, Nm (Pés-Libras)		339 (250)	451 (333)	271 (200)	220 (162)	234 (173)
Relação de Torque		3:1	3:1	6:1	13.6:1	18.5:1
Precisão		±5% de leitura entre 20% e 100% na escala completa de classificação				
Tamanho do Inserto de Encaixe Quadrado Macho de Saída – mm (Pol.)		19 (.75)	19 (.75)	19 (.75)	25.4 (1)	25.4 (1)
Tamanho do Inserto de Encaixe Quadrado Fêmea de Entrada – mm (Pol.)		13 (.5)	13 (.5)	13 (.5)	13 (.5)	13 (.5)
Dimensões Totais mm (Pol.) (ver Fig. 2)	Comprimento <b>A</b>	217 (8.53)	443 (17.06)	497 (19.56)	498 (19.6)	498 (19.6)
	Caixa de engrenagens Ø <b>B</b>	71 (2.81)	71 (2.81)	100 (3.94)	103 (4.06)	103 (4.06)
	Altura <b>C</b>	83 (3.25)	83 (3.25)	102 (4.00)	146 (5.75)	165 (6.5)
Peso Líquido kg (lb.)		1,8 (4)	2,5 (5.5)	4,1 (9.1)	6,9 (15.2)	8,3 (18.3)
Estágios de Engrenagens Planetárias		Um	Um	Um	Dois	Dois
Rolamentos de agulha		–	–	Sim	Sim	Sim
Extensor de Giro de Ângulo		N°	N°	Sim Aumento de 5°	Sim Aumento de 5°	Sim Aumento de 5°
Tabela de Conversão de Torque		N°	N°	Sim	Sim	Sim
Reposições para Insertos de Encaixe Quadrado Cisalháveis		N°	N°	Sim	Sim	Sim

Modelos		E492	E493	E494	E495
Capacidade de Saída, Nm (Pés-Libras)		2.983 (2,200)	4.339 (3,200)	6.779 (5,000)	10.846 (8,000)
Capacidade de Entrada, Nm (Pés-Libras)		220 (62)	235 (173)	256 (189)	209 (154)
Relação de Torque		13.6:1	18.5:1	26.5:1	52.1
Precisão		±5% de leitura entre 20% e 100% na escala completa de classificação			
Tamanho do Inserto de Encaixe Quadrado Macho de Saída – mm (Pol.)		25.4 (1)	25.4 (1)	38 (1.5)	38 (1.5)
Tamanho do Inserto de Encaixe Quadrado Fêmea de Entrada – mm (Pol.)		13 (1/2)	13 (1/2)	13 (1/2)	13 (1/2)
Dimensões Totais mm (Pol.) (ver Fig. 2)	Comprimento <b>A</b>	356 (14.0)	356 (14.0)	378 (14.88)	387 (15.2)
	Caixa de engrenagens Ø <b>B</b>	124 (4.88)	124 (4.88)	143 (5.63)	148 (5.81)
	Altura <b>C</b>	140 (5.5)	163 (6.41)	222 (8.75)	273 (10.75)
Peso Líquido kg (lb.)		7,8 (17.2)	8,9 (19.5)	15,4 (34)	22,8 (50.3)
Estágios de Engrenagens Planetárias		Dois	Dois	Dois	Três
Rolamentos de agulha		Sim	Sim	Sim	Sim
Extensor de Giro de Ângulo		N°	N°	N°	N°
Tabela de Conversão de Torque		Sim	Sim	Sim	Sim
Reposições para Insertos de Encaixe Quadrado Cisalháveis		Sim	Sim	Sim	Sim

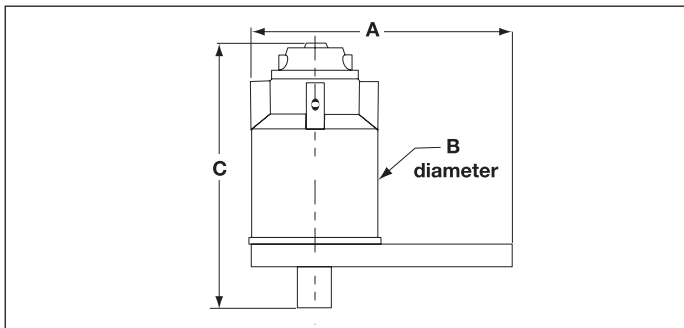


**Fig. 1, Trocando o Disco de Reação**

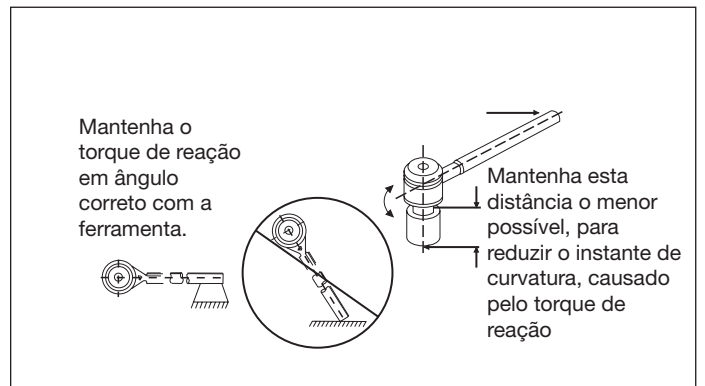
1. Disco de Reação / Barra de Reação
2. Parafusos tipo Soquete de Cabeça Sextavada
3. Multiplicador de Torque
4. Cisalhamento controlado do Inserto de Encaixe Quadrado de Saída



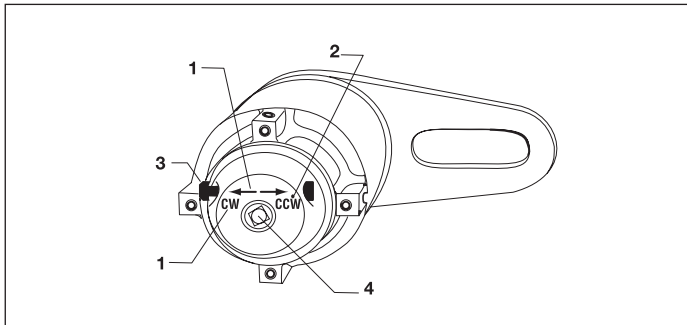
**Fig. 5, As forças de reação aumentam perto do multiplicador**



**Fig. 2, Dimensões do Multiplicador de Torque**

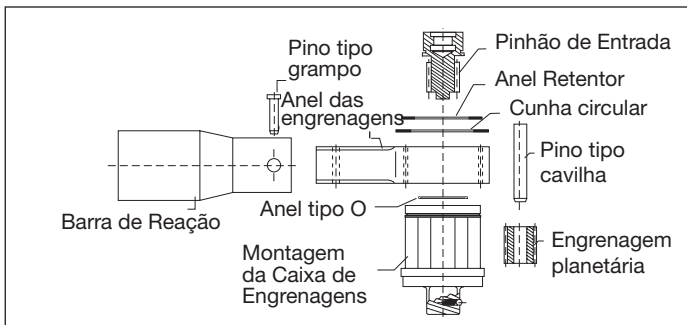


**Fig. 6, Minimize os instantes de curvatura criados pelo torque de reação do multiplicador.**

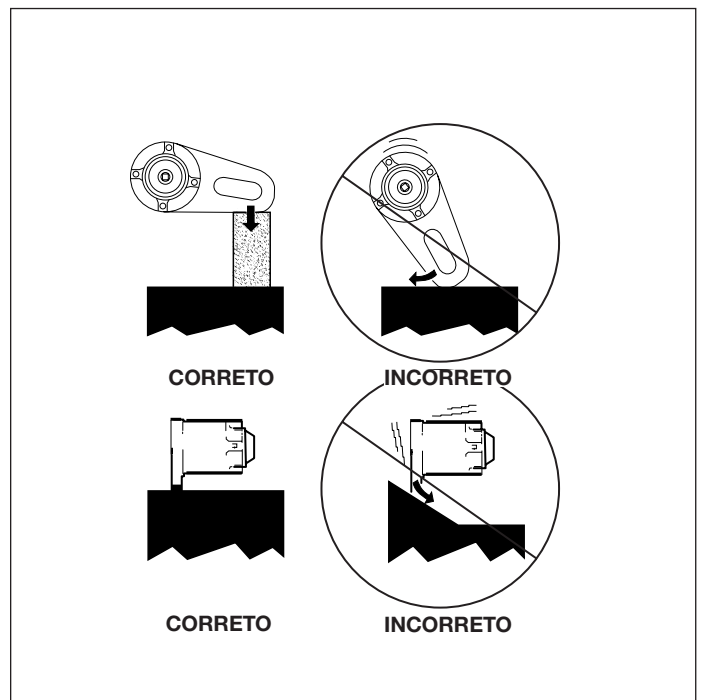


**Fig. 3, Detalhe da extremidade de Entrada (mostrado conjunto de rotação CW)**

1. Indicadores de direção rotacional
2. Conjunto de parafusos para posicionamento de neutro
3. Canopla seletora
4. Inserto de encaixe quadrado fêmea de entrada de 1/2 pol.



**Fig. 4**



**Fig. 7, Mantenha a âncora de reação perpendicular ao ponto de reação**

## 5.0 DESCRIÇÃO E CARACTERÍSTICAS DO PROJETO

Direção de rotação de Entrada e de Saída é a mesma. (EXEMPLO: Rotação de entrada no sentido horário cria rotação de saída no sentido horário). Multiplicadores de torque utilizam a ação das engrenagens planetárias para apertar/afrouxar com rotação contínua de 360° em ambos os sentidos, horário e anti-horário. Um dispositivo interno bi-direcional anti-retorno impede a liberação acidental de torque de retorno (não disponível nos modelos E290+, E291, E391).

**NOTA:** Força de reação é igual à força de saída e está na direção oposta da força de rotação de entrada/saída.

Barras de reação são mantidas em posição com o uso de um pino de retenção ou um parafuso tipo soquete de cabeça quadrada, dependendo do modelo. Discos de reação são fixados com parafusos tipo soquete de cabeça quadrada.

O cisalhamento controlado do Inseto de Encaixe Quadrado de Saída (Fig. 1 Item 4) protege os componentes internos, caso a capacidade máxima de saída seja ultrapassada. Este dispositivo de proteção contra sobrecarga causa a ruptura do inserto quando a saída excede entre 103% e 110% da capacidade nominal de saída. Um inserto de reposição é incluído nos multiplicadores de torque (E391, E392, E393, E492, E493, E494, E495). (Peça reposições adicionais ao seu Distribuidor Enerpac.)

Calota seletora (Fig. 3, Item 3) deve ser ajustada na posição de neutro e a posição de neutro do conjunto de parafusos (Fig. 3, Item 3) deve ser apertada para travar a calota seletora na operação com unidade de energia. Ela controla a direção rotacional do multiplicador de torque para entradas aplicadas manualmente. (Não disponíveis nos modelos E290+, E291, E391). Ferramentas de impacto não devem ser usadas para acionamento com energia, danos ao multiplicador podem ocorrer.

## 6.0 CONVERSÕES DE TORQUE

Uma placa de dados fixada no multiplicador de torque mostra os torques necessários de entrada para obter os valores listados dos torques de saída. Para calcular um torque específico de entrada, não mencionado na placa de dados, divida o torque de saída desejado pela relação de torque do multiplicador. Veja as Tabelas de Especificação.

## 7.0 OPERAÇÃO MANUAL

1. **NOTA:** Força de reação é igual à força de saída e está na direção oposta da força de rotação de entrada/saída.
2. Ajuste a direção de rotação desejada, pressionando a calota seletora (Fig. 3, Item 3) na direção indicada pelas letras e setas direcionais estampadas na extremidade da caixa de entrada (Fig. 3, Item 1). EXEMPLO: “CCW” para rotação no sentido anti-horário, pressione a calota para o final na direção mostrada pela seta “CCW”. Para rotação no sentido horário, pressione a calota na direção oposta “CW”. (Não disponível nos modelos E290+, E291, E391).
3. Monte o soquete de encaixe quadrado fêmea de tamanho adequado sobre o inserto de encaixe quadrado de saída do multiplicador de torque (Fig. 1, Item 4). Posicione o soquete e o multiplicador de torque no prendedor a ser apertado.
4. **Modelos com Disco de Reação:** Coloque um soquete de tamanho apropriado no inserto de encaixe quadrado escravo e fixe-o no prendedor próximo.  
**Modelos com Barra de Reação:** Encoste firmemente a barra de reação contra um objeto adequado. **NOTA:** Quando o

soquete estiver posicionado adequadamente no prendedor, a barra de reação deve estar em ângulo correto com o prendedor no qual o torque vai ser aplicado (Fig. 7). Veja Informações sobre Aplicação seção 10.0 para informações adicionais de reações do multiplicador de torque.

5. **Aperte usando um torquímetro:** Determine o torque de entrada necessário (veja o torque na placa de dados da ferramenta) ou para referência, consulte a seção 4.0 Tabelas de Especificação. Precisão do torque de saída requer um torquímetro acurado, de acordo com o multiplicador de torque. Aplique o torque com o torquímetro até que o torque de entrada seja alcançado (Fig. 5).



**AVISO:** Falha do inserto de encaixe quadrado, devido a sobrecarga de torque ou fadiga podem resultar em liberação imediata de torque, podendo causar, potencialmente, a queda do multiplicador de torque do prendedor e resultar em danos pessoais.

6. **Para remover o multiplicador de torque do prendedor:**

**Modelos com proteção anti-retorno:** usando um torquímetro, aplique torque de entrada suficiente para liberar o dispositivo interno anti-retorno; mantenha o torque de entrada e pressione a calota seletora (Fig. 3, Item 3) na posição oposta. (EXEMPLO: Calota seletora na posição “CW” requer re-início para posição “CCW”). Vagarosamente, alivie o torque de entrada. (Não disponível nos modelos E290+, E291, ou E391).

**Modelos padrão:** aplique torque na graduação desejada, depois, vagorosamente, alivie o torque de entrada e remova o multiplicador da aplicação (modelos E290+, E291, ou E391).

7. Afrouxar usando um torquímetro: Siga o mesmo procedimento para apertar, com exceção da calota seletora que deve ser ajustada na posição oposta.

## 8.0 OPERAÇÃO COM ACIONAMENTO PNEUMÁTICO

Use uma ferramenta de **não-impacto** aprovada com modelos: (E391, E392, E393, E492, E493, E494 ou E495 somente). **Trave a calota seletora na Posição Neutro**, centrando entre as posições “CW” e “CCW” e apertando o conjunto de parafusos (fig 3, Item 2).

**NOTA:** Ajustada na posição adequada, a calota seletora NÃO VAI se movimentar em qualquer direção quando a posição de neutro do conjunto de parafusos estiver apertada.

## 9.0 SUBSTITUINDO A MONTAGEM DE UM INSERTO DE ENCAIXE

### 9.1 Modelos E290PLUS, E291

1. Remova os anéis retentores e as cunhas circulares (figura 4) do lado de entrada do alojamento do multiplicador de torque.
2. Remova a montagem da caixa de engrenagem do conjunto de engrenagens (alojamento do multiplicador de torque).
3. Remova o pinhão de entrada da montagem da caixa de engrenagem com um movimento de giro e tração. Use uma prensa tipo bancada para remover os pinos tipo cavilha das engrenagens planetárias (figura 4).
4. Recoloque a montagem da caixa de engrenagem com peças genuínas Enerpac.
5. Monte novamente as engrenagens planetárias na montagem da caixa usando uma prensa tipo bancada.
6. Lubrifique todos os pontos de atrito com uma graxa de alto grau de dissulfeto de molibdênio.



7. Monte novamente o pinhão de entrada, instale a montagem no conjunto de engrenagem (alojamento do multiplicador de torque). Monte novamente as cunhas e os anéis retentores.

## **9.2 Modelos E391, E392, E393, E492, E493, E494, E495**

1. Remova os parafusos (Fig. 1, Item 2) que fixam o disco de reação (Figura 1, Item 1) no multiplicador de torque, e remova o disco de reação do multiplicador de torque.
2. Remova o pino que prende a caixa de engrenagem com o inserto de cabeça quadrada de saída e remova o antigo inserto de cabeça quadrada.
3. Coloque a montagem de reposição do inserto de cabeça quadrada no carregador do inserto quadrado, alinhando o furo da porção inferior da reposição com o furo do carregador do inserto quadrado.
4. Coloque o pino através do furo no carregador do inserto quadrado e no furo da reposição do inserto quadrado.
5. Fixe novamente o disco de reação no multiplicador de torque com os parafusos removidos previamente. (Fig. 1, Item 2).

## **10.0 INFORMAÇÃO SOBRE APLICAÇÃO**

### **10.1 Reação do Multiplicador de Torque**

1. Absorção das forças de reação do multiplicador de torque pode ser conseguida, usando práticas comuns, mencionadas aqui.
2. Em primeiro lugar, considere o tamanho e o tipo de ferramenta de torque necessários para a aplicação. Pesquise as limitações de espaço, assim como o torque máximo requerido. Permita um mínimo de 50% de capacidade adicional na ferramenta para o torque de ruptura. NOTA: Prendedores danificados ou corroídos podem necessitar uma capacidade ainda maior de torque de ruptura. Permita um mínimo de 100% sobre o torque de fixação para estas condições. Exemplo: Parafusos prisioneiros e um torque de fixação de 1.500 pés-libras. Escolha uma ferramenta com capacidade de, pelo menos, 3.000 pés-libras para fixação.
3. Selecione um ponto de ancoragem sólido para minimizar o deslocamento. Determine o local onde as forças de reação vão acontecer. (exemplo, contra um flange ou sobre um parafuso próximo). NOTA: Este ponto deve suportar as forças de reação da ferramenta de torque. Exemplo: Um multiplicador de torque de 3.200 pés-libras, com reação próxima a extremidade de seu ponto de ancoragem (figura 5) produz uma força de reação de 6.400 libras. Reduz-se a força de reação para 2.400 libras, movendo-se o ponto de reação para a extremidade do disco/barra de reação. Mantenha a tangente do ponto de reação na rotação do torque de saída para evitar aumento das forças de reação (figuras 6 e 7).
4. Mantenha limpa a saída de rotação do torque, reduzindo os instantes de torção. Instantes de torção diminuem a eficiência do torque e aumentam a fadiga da ferramenta e dos soquetes. Mantenha o mais próximo possível, a distância entre a saída da ferramenta e o prendedor (figura 6).
5. Aumente a vida da ferramenta e a segurança do ambiente de trabalho, mantendo a reação de torque o mais longe possível da área de ancoragem (Fig. 5).

## **10.2 EXTENSOR DE GIRO DE ÂNGULO**

Alguns multiplicadores de torque incluem um extensor de giro de ângulo. Isto permite ao operador uma medida precisa do número específico dos graus de rotação do prendedor. O método de torque / ângulo de giro para aperto dos prendedores, requer um valor de pré-torque, e uma rotação adicional específica do prendedor, isto é projetado durante a aplicação. Estes dados serão fornecidos pelo departamento de engenharia do fabricante original do equipamento, se o torque do giro do ângulo é aplicável.

**L2677 Rev. C 05/19**

Korjausosaluettelo tälle tuotteelle on saatavilla Enerpacin verkkosivulta [www.enerpac.com](http://www.enerpac.com), tai lähimmästä valtuutetusta Enerpac-huoltokeskuksesta tai Enerpac-myyntitoimistosta.

## 1.0 TÄRKEÄT VASTAANOTTO-OHJEET

Tarkista silmämääräisesti kaikki osat kuljetusvaurioiden varalta. Takuu ei kata kuljetusvaurioita. Jos kuljetusvaurioita löytyy, niin ilmoita kuljetusliikkeelle välittömästi. Kuljetusliike on vastuussa kaikista korjauksista ja korvauskustannuksista, jotka ovat johtuvat kuljetusvaurioista.

## TURVALLISUUS ENNEN KAIKKEA

## 2.0 VAROTOIMENPITEET



Lue kaikki ohjeet ja varoitukset huolellisesti. Noudata kaikkia varotoimenpiteitä estääksesi vammoja tai omaisuuden vaurioitumista käytön aikana. Enerpac ei ole vastuussa vaurioista tai vammoista, jotka johtuvat tuotteen turvattomasta käytöstä, huollon puutteesta tai tuotteen ja/tai järjestelmän väärästä käytöstä. Ota yhteys Enerpaciin kun olet epävarma varotoimenpiteistä ja käytöstä. Jos et ole koskaan koulutautunut korkeapaineisen hydraulijärjestelmän turvallisuuteen, ota maahantuojaan tai palvelukeskukseen, jotta voit ottaa osaa Enerpacin ilmaiseen hydraulijärjestelmän turvakurssiin.

Seuraavien varoitusten noudattamatta jättäminen voi aiheuttaa laitevaurioita ja vammoja.

**VAROVAISUUS** -tekstiä käytetään ilmaisemaan oikeat käyttö- tai huoltotoimenpiteet ja käytännöt vaurioiden estämiseksi, tai laitteen tai muun omaisuuden tuhoutumisen estämiseksi.

**VAROITUS** -tekstiä käytetään ilmaisemaan mahdollinen vaara, joka vaatii oikeita toimenpiteitä tai käytäntöjä vammojen välttämiseksi.

**VAARA** -tekstiä käytetään vain kun toiminta tai sen puute voi aiheuttaa vakavan vamman tai jopa kuoleman.



**VAROITUS:** Pidä kertoja tukevasti kiinni, kun vapautat kertojan rekyylistä johtue.



**VAROITUS:** Estä momentin vapautuminen vahingossa. Aseta kertoja siten että kytkimien käytölle on tilaa (CW ja CCW kytkimet) eikä ulkoinen voima pääse vaihtamaan kytkimen asentoa (Kuva 3, osan 3). Seurauksena voi olla henkilövamma, jos sitä ei ole asetettu kunnolla.



**VAROITUS:** Älä pidä momentinkertojan reaktiivoimavarresta kiinni (Kuva 1, osa 1) kun kiristät ruuviliitosta.



**VAROITUS:** Varmista ennen jokaista käyttöä manuaalisen momenttiavaimen tarkkuus. Momentinvahvistimet kasvattavat vääntövoimaa huomattavasti. Seurauksena voi olla vaurio työhön.



**VAROITUS:** Tarkista ennen JOKAISTA että tukivarren ruuvit ovat tiukasti kiinni (Kuva 1, osa 2).



**VAROITUS:** Tarkista ennen JOKAISTA käyttöä ulostulon vääntiö (Kuva 1, osa 4) näkyvien rasitusten tai murtumien varalta. Korvaa tarvittaessa.



**VAROITUS:** Ulostulon viallinen vääntiö voi johtaa välittömään momentin vapautumiseen. Momentinvahvistin voi pudota kiinnikkeestä ja aiheuttaa työtaturman.



**VAROITUS:** Jos käytät jatkokappaleita tukivoimalevyllisissä malleissa ota yhteyttä Enerpac jälleenmyyjäsi. Kaksipäisen kiihdytinlevyn käytön epäonnistuminen voi saada pakotettua momentinvahvistimen sivuttain sovelluksessa, mistä seuraa vahvistimen ja/tai pistokkeen hajoaminen.



**VAROITUS:** Älä käytä jatkokappaleita voimahylsyssä tukivoimatangollisissa malleissa. Seurauksena voi olla henkilövamma.



**VAROITUS:** Valitse tukivoimapistekä joka on riittävän kestävä reaktiivoimalle. Kiihdytysmomentti on sama kuin ULOSTULOMOMENTTI.



**VAROITUS:** Käytä henkilökohtaisia suojavarusteita kun käytät hydraulilaitteita.



**VAROITUS:** Pysy etäällä hydrauliiikan kannattelemissa kuormista. Sylinteriä, jota käytetään kuorman nostolaitteena, ei pitäisi koskaan käyttää kuorman kannattelulaitteena. Kun kuorma on nostettu tai laskettu, se pitää aina tukea mekaanisesti.



**VAROITUS: KÄYTÄ VAIN JÄYKKIÄ OSIA KANNATTELEMAAN KUORMIA.** Valitse huolellisesti teräs- tai metalliesteet, jotka kykenevät kannattelemaan kuormaa. Älä koskaan käytä hydraulisynteriä kiilana tai välikappaleena nosto- tai puristussovelluksille.



**VAROITUS:** Vaihda välittömästi kuluneet tai vaurioituneet osat aidoilla ENERPAC-osilla. Standardilaatuiset ovat hajoavat, aiheuttaen henkilövammoja ja omaisuuden tuhoutumista. ENERPAC-osat ovat suunniteltu sopimaan kunnolla ja kestävästi raskaita kuormia.

### 3.0 OHJEET



Lue ja ymmärrä nämä käyttöohjeet ennen kertojan käyttöä.

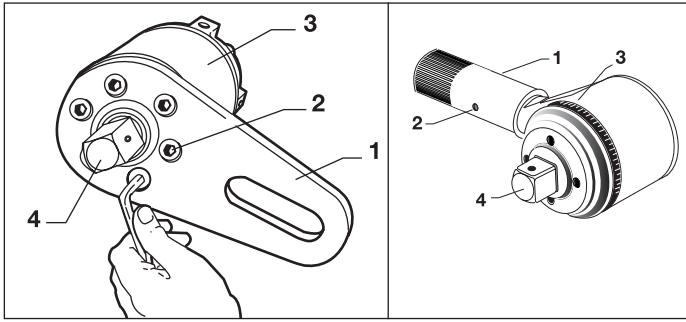
#### **HUOMAA: ÄLÄ KÄYTÄ ISKEVÄÄ VÄÄNNINTÄ KERTOJAAN. TYÖKALU VAURIOITUU.**

1. Kun käytät ei iskevää paineilmatyökalua lähtöväännölle, lukitse valintakytkin neutraaliin asentoon neutraaliasetuksen säätöruuvilla (Kuva 3, osa 2).
2. Varmista kertojaa asettaessasi, että voimahylsy on asetettu tukevasti paikoilleen, että tukivarsi on oikeassa kulmassa tuettavaan pisteeseen. Momentin aiheuttama reaktivoima synnyttää vastakkaissuuntaisen tukivoiman, katso kappale 10.0.
3. Älä kuormita yli kertojan max. momentin, älä kuormita yli pultin lujuusluokasta riippuvaa max. momenttia jotta pultti ei katkea. aukaisumomentti voi olla suurempi kuin kiinnitysmomentti. Salli vähintään 50 % lisätyökalukapasiteetti aukaisumomentille. Vaurioituneet ja syöpyneet pultit voivat vaatia vielä suuremman aukaisumomenttikapasiteetin.
4. Tarkkaile syöttömomenttia momenttiavaimella. Jos kertojaa käytetään ilman momenttiavainta, muista että aukaisumomentti on huomattavasti suurempi kuin kiinnitysmomentti.
5. **Pidennät kertojan käyttöikä.** Pidä lyhyin lyhyin mahdollinen kytkentäetäisyys kertojan vääntiön (Kuva 6) ja kyseessä olevan mutterin kanssa korkeussuunnassa. Pidä pisin mahdollinen etäisyys taaksepäin pultin ja kertojan tukivarren tukipisteen välillä (Kuva 5).
6. Turvaa takuusi ja käytä vain Enerpacin hyväksymiä vääntiöitä ja varaosia.

#### 4.0 TAULUKOT

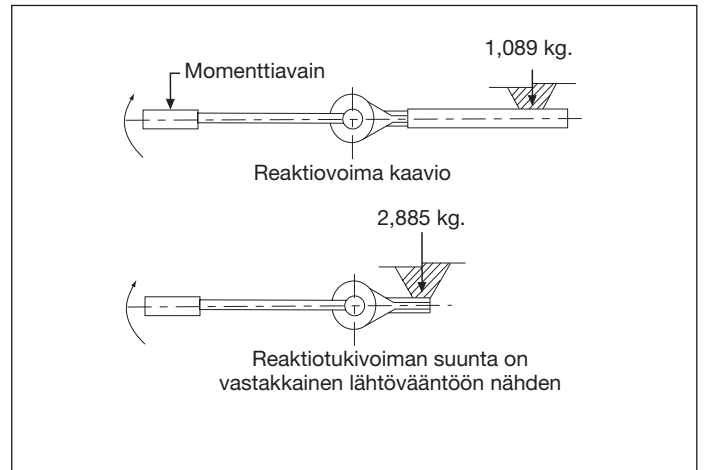
Tyypinumerot		E290PLUS	E291	E391	E392	E393
Max momentti (saavutettu), Nm ( Ft-Lb)		1.020 (750)	1.358 (1,000)	1.627 (1,200)	2.983 (2,200)	4.340 (3,200)
Lähtömomentti, Nm ( Ft-Lb)		339 (250)	451 (333)	271 (200)	220 (162)	234 (173)
Momenttisuhde		3:1	3:1	6:1	13.6:1	18.5:1
Tarkkuus		± 5 % lukema 20 %:sta 100 %:n luonnollisessa mittakaavassa				
Vääntiökoko (saavutettu momentti) - mm (tuuma)		19 (.75)	19 (.75)	19 (.75)	25.4 (1)	25.4 (1)
Vääntiökoko lähtömomentti - mm (tuuma)		13 (.5)	13 (.5)	13 (.5)	13 (.5)	13 (.5)
KokonaismitatInch mm (tuuma) (katso kuva 2.)	Pituus <b>A</b>	217 (8.53)	443 (17.06)	497 (19.56)	498 (19.6)	498 (19.6)
	Planeettavaihte Ø <b>B</b>	71 (2.81)	71 (2.81)	100 (3.94)	103 (4.06)	103 (4.06)
	Korkeus <b>C</b>	83 (3.25)	83 (3.25)	102 (4.00)	146 (5.75)	165 (6.5)
Nettopaino kg (Lb.)		1,8 (4)	2,5 (5.5)	4,1 (9.1)	6,9 (15.2)	8,3 (18.3)
Planeettavaihteen vaiheet		Yksi	Yksi	Yksi	Kaksi	Kaksi
Neulalaakerit		-	-	Kyllä	Kyllä	Kyllä
Kierroksen kulman astejako		Nro.	Nro.	Kyllä 5°:n lisäys	Kyllä 5°:n lisäys	Kyllä 5°:n lisäys
Momentin muuntokaavio		Nro.	Nro.	Kyllä	Kyllä	Kyllä
Vaihdeettava ulostulovääntiö		Nro.	Nro.	Kyllä	Kyllä	Kyllä

Tyypinumerot		E492	E493	E494	E495
Max momentti (saavutettu), Nm ( Ft-Lb)		2.983 (2,200)	4.339 (3,200)	6.779 (5,000)	10.846 (8,000)
Lähtömomentti, Nm ( Ft-Lb)		220 (62)	235 (173)	256 (189)	209 (154)
Momenttisuhde		13.6:1	18.5:1	26.5:1	52.1
Tarkkuus		± 5 % lukema 20 %:sta 100 %:n luonnollisessa mittakaavassa			
Vääntiökoko (saavutettu momentti) - mm (tuuma)		25.4 (1)	25.4 (1)	38 (1.5)	38 (1.5)
Vääntiökoko lähtömomentti - mm (tuuma)		13 (1/2)	13 (1/2)	13 (1/2)	13 (1/2)
KokonaismitatInch mm (tuuma) (katso kuva 2.)	Pituus <b>A</b>	356 (14.0)	356 (14.0)	378 (14.88)	387 (15.2)
	Planeettavaihte Ø <b>B</b>	124 (4.88)	124 (4.88)	143 (5.63)	148 (5.81)
	Korkeus <b>C</b>	140 (5.5)	163 (6.41)	222 (8.75)	273 (10.75)
Nettopaino kg (Lb.)		7,8 (17.2)	8,9 (19.5)	15,4 (34)	22,8 (50.3)
Planeettavaihteen vaiheet		Kaksi	Kaksi	Kaksi	Kolme
Neulalaakerit		Kyllä	Kyllä	Kyllä	Kyllä
Kierroksen kulman astejako		Nro.	Nro.	Nro.	Nro.
Momentin muuntokaavio		Kyllä	Kyllä	Kyllä	Kyllä
Vaihdeettava ulostulovääntiö		Kyllä	Kyllä	Kyllä	Kyllä

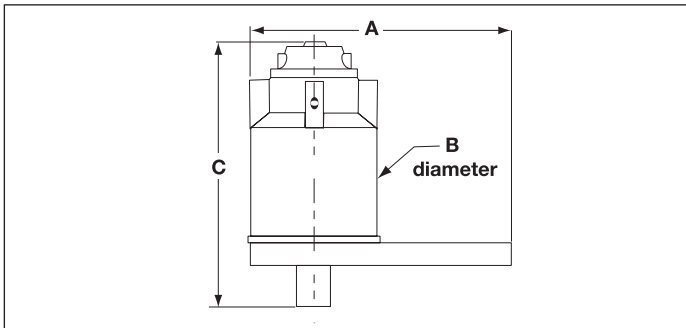


**Kuva 1, Tukivoimalevyn Vaihto**

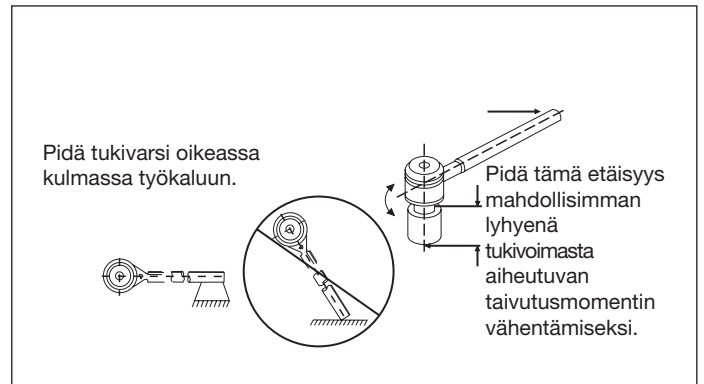
1. Tukivoimalevy / tukivoimatanko
2. Kuusiokoloruuvit
3. Kertoja
4. Vaihdeettava ulostulovääntö



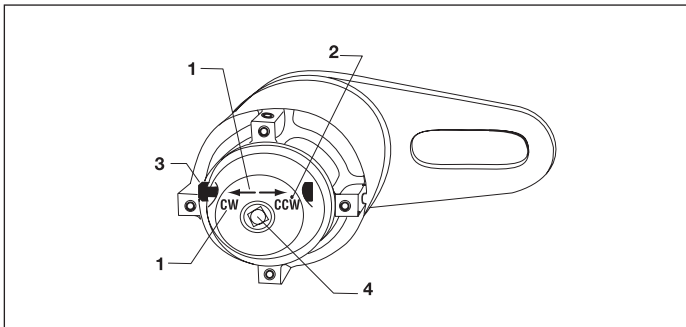
**Kuva 5, Tukivoima kasvaa lähempänä kertojaa**



**Kuva 2, Mkertojan mitat**

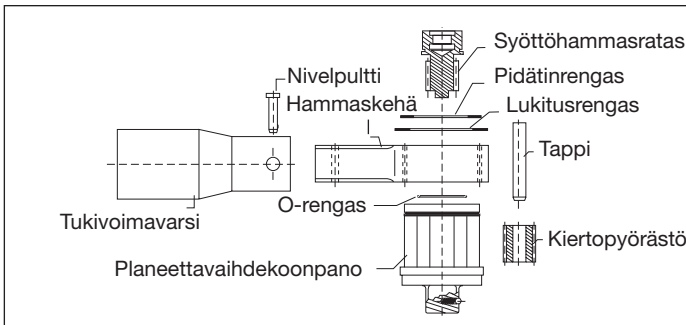


**Kuva 6, Minimoi tukemisesta aiheutuva taivutusmomentti**

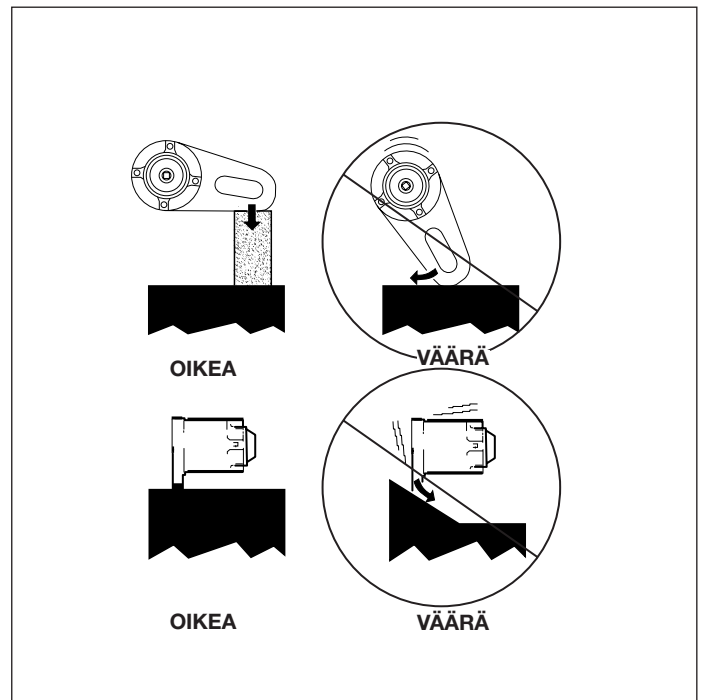


**Kuva 3, Tulopään yksityiskohta (kuvassa asetus CW-kierrolle)**

1. Kierron suuntaillmaisimet
2. Neutraalin asennon asetusruuvi
3. Valintahaka
4. 1/2-tuuman vääntö (naaras)



**Kuva. 4**



**Kuva 7, Pidä tukivoimavarsi kohtisuorana tukipisteeseen nähden**

## 5.0 KUVAUS JA TEKNISET OMINAISUUDET

Syötön ja ulostulon kiertosuunnat ovat samat. (ESIMERKKI: Myötäpäivään tapahtuva syöttökierto luo myötäpäivään suuntautuvan ulostulokierron). Kertojat planeettavaihteiston ansiosta saadaan jatkuvaa 360° asteen kierto joko myötäpäivään tai vastapäivään. Sisäinen kaksisuuntainen suuntaislaite estää vahingossa tapahtuvan momentin vapautuksen (ei saatavana malleissa E290+, E291, E391)

**HUOMAA:** Reaktiovoima on yhtä suuri kuin ulostulovoima ja on vastakkaisessa suunnassa kuin ulostulovoima.

Tukivarsia pidetään paikallaan jousisokalla tai kuusiokoloruuvilla, mallista riippuen. Kiertolevyt on kiinnitetty kuusiokoloruuveilla.

Vääntiössä on ylikuormitussuojia (Kuva 1, osa 4) suojaa sisäisiä komponentteja siinä tapauksessa, että max tulomomentti ylitetään. Tämä ylikuormausuojausominaisuus saa vääntiön sokaan katkeamaan kun ulostulo ylittää 103-110 % luokitellusta ulostulokapasiteetista. Yksi sokka toimitetaan kertojan mukana (malleissa E391, E392, E393, E492, E493, E494, E495). (Tilaa lisävaihto-osat Enerpacin jälleenmyyjältä.)

Valintakytkin (Kuva 3, osa 3) on asetettava neutraaliasentoon ja neutraaliasennon asetusruuvien (Kuva 3, osa 3) on oltava kiristetty lukitsemaan valintahaka voimakuljetinyksikön toimintaa varten. Se ohjaa kertojan kiertosuunta manuaalisesti annetulle syötölle. (Ei saatavana malleissa E290+, E291, E391). Älä käytä iskeviä vääntimiä lähtömomentille, koska seurauksen on vaurio kertojan voimansiirrossa.

## 6.0 MOMENTIN MUUNNOKSET

Kertojaan kiinnitetty tietolevy näyttää syöttömomentin, joka vaaditaan halutulla ulostulomomentit. Kun haluat laskea tietyn syöttöarvon, jota ei ole lueteltu tietolevyssä, jaa haluttu ulostulomomentti kertojan momenttisuhteella. Katso taulukot.

## 7.0 MANUAALINEN KÄYTTÖ

- HUOMAA:** Reaktiovoima on yhtä suuri kuin ulostulovoima ja on vastakkaisessa suunnassa kuin syöttö-/ulostulokierto.
- Aseta haluttu kiertosuunta työntämällä valintahakaa (Kuva 3, osa 3) suuntaan, joka on osoitettu kirjaimilla ja suuntanuolilla ulostulopään kotelossa (Kuva 3, osa 1). ESIMERKKI: "CCW" vastapäivään tapahtuvaa kiertoa varten: paina haka liikkuman päähän "CCW"-nuolen osoittamaan suuntaan. Myötäpäivään tapahtuvaa kiertoa varten: paina haka vastakkaiseen "CW"-suuntaan. (Ei saatavana malleissa E290+, E291, E391).
- Aseta oikean kokoinen voimahylsy kertojaan (Kuva 1, osa 4). aseta hylsy ja kertoja paikoilleen tukevasti ja tukivarsi tukivoimapisteseen.
- Tukivoimalevyymallit:** Aseta hylsy ja kertoja paikoilleen tukevasti ja tukivarsi tukivoimapisteseen.  
**Tukivoimatankomallit:** Tue tukivoimatanko tukevasti sopivaa objektia vasten. **HUOMAA:** Kun voimahylsy on kunnolla sijoitettu mutteriin, tukivoimatangon on oltava oikeassa kulmassa kiinnikkeeseen, mihin momentti kohdistetaan (Kuva 7). Katso lisätietoja kertojan tukemisesta kappaleeseen Sovellustiedot, kappale 10.0.
- Kiristä momenttiavaimella:** Määritä oikea vaadittava syöttömomentti (katso työkalussa olevasta momenttitietolevystä) tai kappaleesta 4.0 taulukot. Ulostulomomentin tarkkuus vaatii tarkkaa momenttiavainta, joka on samaa sarjaa momentinvahvistimen kanssa.

Kohdista momenttia momenttiavaimella kunnes haluttu ulostulomomentti on saavutettu (Kuva 5).



**VAROITUS:** Viallinen vääntiö, ylikuormituksen tai väsymisen johdosta, voi johtaa välittömään momentin vapautumiseen. Kertoja voi mahdollisesti pudota kiinnikkeestä ja aiheuttaa henkilövamman.

### 6. kertojan irrottaminen pultista:

**Suuntaismallit:** kohdista momenttiavaimella tarpeeksi syöttömomenttia sisäisen suuntaislaitteen vapauttamiseksi. Ylläpidä syöttömomenttia ja työnnä valintahaka (Kuva 3, yksikkö 3) vastakkaiseen suuntaan (ESIMERKKI: "CW"-asetettu haka vaati uudelleen asetuksen "CCW"-asentoon). Vapauta syöttömomentti hitaasti. (Ei saatavana malleissa E290+, E291 tai E391).

**Standardimallit:** kohdista momentti haluttuun arvoon, ja vapauta sitten syöttömomenttia ja vapauta kertoja sovelluksesta (mallit E290+, E291 tai E391).

- Löysää momenttiavaimella: Noudata samaa menetelmää kuin kiristämässä, paitsi aseta valintahaka vastakkaiseen suuntaan.

## 8.0 PAINELMAKÄYTTÖ

Käytä hyväksytyä **ei-iskevää** ilmaväännintä malleissa: (vain E391, E392, E393, E492, E493, E494 tai E495). **Lukitse valintahaka neutraaliasentoon** keskittämällä "CW" ja "CCW"-asentojen väliin ja kiristämällä asetusruuvi (Kuva 3, yksikkö 2).

**HUOMAA:** Oikeaan asentoon asetettuna valintahaka EI liiku kumpaankaan suuntaan kun neutraaliasennon asetusruuvi on kiristetty.

## 9.0 VOIMAHYLSYN VAIHTO

### 9.1 Mallit E290PLUS, E291

- Irrota pidätinrenkas ja lukkorenkaat (Kuva 4) kertojan kotelon sisäpuolelta.
- Irrota planeettavaihekokoontapano hammaskehästä (omentinvahvistimen kotelo).
- Irrota syöttöhammasratas planeettavaihekokoontapanosta veto- ja vääntöliikkeellä. Käytä akselipuristinta irrottamaan johtotapit kiertopyörästä (Kuva 4).
- Korvaa planeettavaihekokoontapano aidolla Enerpacin varaosalla.
- Kokoa kiertopyörästä esim. Hydraulipuristimella varovasti.
- Voitele kaikki kitkakohdat korkealaatuisella molybdeeni-sulfidirasvalla.
- Kokoa syöttöhammasratas ja asenna kokoonpano hammaskehään. Kokoa kiilat ja pidätinrenkas.

### 9.2 Mallit E391, E392, E393, E492, E493, E494, E495

- Poista ruuvit (Kuva 1, osa 2), jotka pitävät tukivarsilevyä kiinnitettynä (Kuva 1, osa 1) momentinvahvistimeen ja irrota kiihdytyslevy momentinvahvistimesta.
- Irrota puikko, joka pitää planeettavaihteen kiinni ulostulo vääntiössä ja poista vanha vääntiö.
- Aseta korvaava vääntiö paikoilleen ja kohdista se paikoilleen.
- Aseta puikko vääntiössä olevan reiän läpi.
- Kiinnitä tukivoimalevy uudelleen kertojasta aiemmin irrotetuilla ruuveilla (Kuva 1, osa 2).

## 10.0 SOVELLUSTIETOA

### 10.1 Kertojan tukeminen

1. Kertojaan vaikuttavia tukivoimia voidaan pienentää alla kuvatuilla menetelmillä.
2. Harkitse ensin sovellukseen tarvittavan momenttityökalun kokoa ja tyyppiä. Tarkastele tilarajoitukset ja tarvittava max. momentti. Salli vähintään 50 % lisäkapasiteetti työkalulle pulttiliitoksen avaamista varten. HUOMAA: Vaurioituneet ja syöpyneet pultit voivat vaatia vielä suuremman avausmomentin. Salli vähintään 100% yli kiinnitysmomentin näissä olosuhteissa. Esimerkki: Syöpyneet tapit ja 1 500 Ft-Lbs. kiinnitysmomentti. Valitse työkalu, jolla on vähintään kapasiteetti 3 000 Ft-Lbs. avausta varten.
3. Valitse kiinteä tukivoimapiste taipumien minimoimiseksi. Määritä missä kohtaa tukivoimat vaikuttavat. HUOMAA: Tämän pisteen on kestävä momenttityökalun reaktivoimat. Esimerkki: 3 200 Ft-Lbs:n kertoja, jonka tukivoimapiste on lähellä pulttia tukivarren etupäässä (Kuva 5) tuottaa 6 400 paunaa reaktivoimaa. Vähennä reaktivoimaa 2 400 paunaan siirtämällä tukipistettä tukivarren takapäätä kohden. (Kuvat 6 ja 7).
4. Pidä mutterin kanta mahdollisimman lähellä tukipistettä korkeussuunnassa. Taivutusmomentti vähentävät momentin tehokkuutta ja lisäävät rasiutusta työkalussa ja hylsyssä. Pidä etäisyys työkalun ulostulon ja pultinkannan välillä mahdollisimman lyhyenä (Kuva 6).
5. Lisää työkalun käyttöikä ja työympäristön turvallisuutta kohdistamalla tukivarsi niin kauas taakse pultista kuin mahdollista (Kuva 5).

### 10.2 KIERROKSEN KULMAN ASTEJAKO

Jotkut kertojat sisältävät kierroksen kulman astejaon. Tämä antaa käyttäjän mitata tarkkaan tietyn astemäärän mutterin kierrolle. Momentti- / kierroksen kulma -tapa kiristää pultteja vaatii esimomenttiarvon ja tietyn mutterin kierron. Nämä tiedot toimittaa alkuperäisen laitteen valmistajan insinööriosasto, jos kierroksen kulmamomentti on sovellettavissa.

L2677 Rev. C 05/19

Reservedelsliste for dette produktet kan fås på Enerpacs nettside, [www.enerpac.com](http://www.enerpac.com), eller fra ditt nærmeste autoriserte Enerpac servicesenter eller Enerpac salgskontor.

#### 1.0 INSTRUKSJONER VED MOTTAK

Se nøye etter om noen av delene har fått skade under transport. Transportskader dekkes ikke av garantien. Dersom det oppdages transportskade, skal transportør øyeblikkelig underrettes. Transportøren er ansvarlig for alle reparasjoner og erstatningskostnader som oppstår på grunn av skade under transport.

#### SIKKERHETEN I HØYSETET

#### 2.0 SIKKERHETS PUNKTER



Les alle instruksjoner, advarsler og forsiktighetsregler nøye. For å unngå personskade og skade på eiendom ved drift av systemet, skal alle sikkerhetsforskrifter følges nøye. Enerpac kan ikke holdes ansvarlig for skade som oppstår som følge av utrygg bruk av produktet, mangel på vedlikehold eller feil bruk av produkt og/eller system. Ta kontakt med Enerpac dersom du har spørsmål angående sikkerhetsforskrifter og bruk. Dersom du aldri har fått opplæring i hydraulisk høytrykkssikkerhet kan du ta kontakt med ditt distribusjons- eller servicesenter for å delta på Enerpacs kostnadsfrie hydraulikksikkerhetskurs.

Mangel på overholdelse av disse forsiktighetsreglene og advarslene kan forårsake person- og utstyrsskade.

A **FORSIKTIG** benyttes til å angi riktige drifts- eller vedlikeholdsprosedyrer og – praksis for å unngå skade på utstyr eller annen eiendom.

A **ADVARSEL** angir en potensiell skade der korrekt prosedyre eller praksis må følges for å unngå personskade.

A **FARE** benyttes kun dersom dine handlinger eller mangel på handlinger kan forårsake alvorlig skade eller dødsfall.



**ADVARSEL:** Ha alltid fast håndkontroll med muttertrekker eller innmatingshåndtak når du slipper forsterkeren, ettersom det vil være rekyl.



**ADVARSEL:** Unngå utilsiktet slipp av dreiemoment, sett justeringsskruen for nøytral posisjon (Fig. 3, Del 2) jevnt med toppen på huset når momentforsterkeren brukes MANUELT. Velgerspaken (Fig. 3, Del 3) må også kunne beveges fritt i stillingene med/mot klokken. Hvis den ikke stilles riktig inn, kan det oppstå fare for personskade.



**ADVARSEL:** Ikke hold i momentforsterkerens reaksjonsstang eller reaksjonsplate (Fig. 1, Del 1) mens momentet settes på. Normal forsterkerbøyning kan skape et klemmepunkt.



**ADVARSEL:** Før hver gangs bruk må du kontrollere nøyaktigheten av muttertrekkeren manuelt. Momentforsterkere vil øke dreiemomentet betraktelig, og dette kan føre til skade på arbeidet.



**ADVARSEL:** Før HVER bruk bør du kontrollere skruene til reaksjonsplate/stang for å påse at de er stramme (Fig. 1, Del 2).



**ADVARSEL:** Før HVER bruk må du inspisere firkantdriver (Fig. 1, Del 4) for synlige tegn på slitasje eller sprekker. Skift ut ved behov.



**ADVARSEL:** Feil på utgangens firkantdriver kan resultere i plutselig utløsning av dreiekraft, momentforsterkeren kan falle fra festet, og dette kan føre til personskade.



**ADVARSEL:** Når det benyttes en utgangsdriverforlenger (kun på modeller med reaksjonsplate), kreves det en dobbeltendret reaksjonsplate. Hvis det ikke brukes en dobbeltendret reaksjonsplate, kan dette føre til at momentforsterkeren blir forskjøvet sidelengs og dermed kan forsterkeren og/eller festet brytes av.



**ADVARSEL:** Ikke bruk driverforlengere på utgangen på modeller med reaksjonsstang. Dette kan føre til personskade.



**ADVARSEL:** Velg et ankerpunkt som er sterkt nok til å motstå momentkreftene. Reaksjonsmoment er lik UTGANGSMOMENT.



**ADVARSEL:** Bruk riktig personlig verneutstyr når du bruker hydraulisk utstyr.



**VAROITUS:** Pysy etäällä hydrauliiikan kannattelemistä kuormista. Sylinteriä, jota käytetään kuorman nostolaitteena, ei pitäisi koskaan käyttää kuorman kannattelulaitteena. Kun kuorma on nostettu tai laskettu, se pitää aina tukea mekaanisesti.



**ADVARSEL: BRUK KUN SOLIDE DELER TIL Å HOLDE LASTER.** Være nøye med å velge stål- eller treklosser som kan holde lasten. Bruk aldri en hydraulisk sylinder som en foring eller avstandshylse ved løft eller press.





**ADVARSEL:** Bytt umiddelbart ut slitte eller skadde deler med ekte ENERPAC-deler. Uoriginale deler vill gå i stykker og forårsake skade på personer og eiendom. ENERPAC-deler er designet for å passe riktig og for å tåle store påkjenninger.

### 3.0 INSTRUKSJONER



Les og forstå disse brukerinstruksjonene før du bruker Momentforsterker.

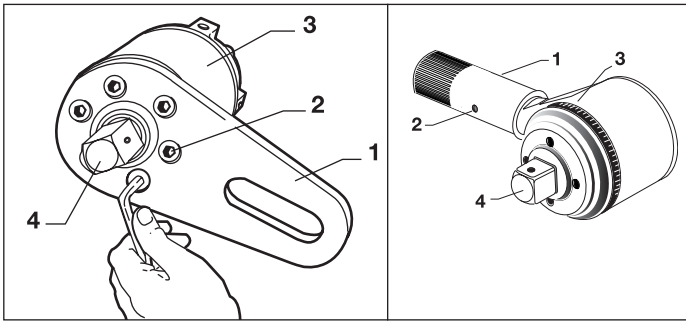
#### **MERK: IKKE BRUK EN SLAGNØKSEL PÅ MOMENTFORSTERKEREN. VERKTØYET KAN SKADES.**

1. Når du bruker en STRØMdrevet inngang, må velgerspaken låses i nøytral stilling ved bruk av setteskruen (Fig. 3, Del 2).
2. Når du plasserer momentforsterkeren må du påse at festet som sitter på utgangen er plassert slik at reaksjonsplaten er vinkelrett på festet. Momentreaksjonen skaper en rotasjonskraft i motsatt retning av inngangskraften. Se Bruksinformasjonens avsnitt 10.0 for mer informasjon om momentforsterkerens reaksjoner.
3. **IKKE** bruk mer moment enn applikasjonen kan tåle. Utgangsmomentet kan være større enn inngangsmomentet. La det være en margin på 50% tilleggskapasitet for utgangsmoment. Fester med skade eller rust kan kreve enda større utgangsmomentskapasitet.
4. Overvåk inngangsmoment ved bruk av en muttertrekker. Hvis det brukes en momentforsterker uten en muttertrekker, husk at **utgangsmoment** er vesentlig større enn **inngangsmoment**.
5. **Forleng Momentforsterkerens levetid.** Ha kortest mulig koplingsavstand mellom momentforsterkerens utgang (Fig. 6) og festeren som skrues. Hold lengst mulig avstand mellom Momentforsterkeren og reaksjonspunktet (Fig. 5).
6. Beskytt garantien din, og bruk kun firkantdrivere og reservedeler som er godkjent av Enerpac.

#### 4.0 SPESIFIKASJONSTABELLER

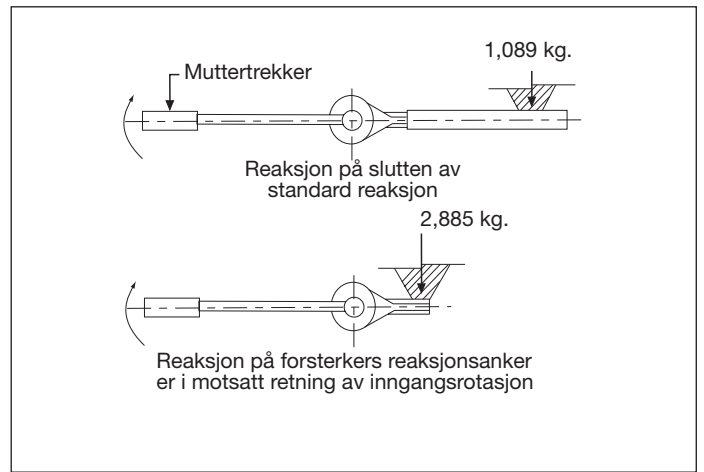
Modellnumre		E290PLUS	E291	E391	E392	E393
Utgangskapasitet ft-lbs (Nm)		1.020 (750)	1.358 (1,000)	1.627 (1,200)	2.983 (2,200)	4.340 (3,200)
Inngangskapasitet ft-lbs (Nm)		339 (250)	451 (333)	271 (200)	220 (162)	234 (173)
Dreiemomentsforhold		3:1	3:1	6:1	13.6:1	18.5:1
Nøyaktighet		±5% av avlest verdi fra 20% til 100% av full gradering				
Utgangsdriver hann-firkant, størrelse – tomme (mm)		19 (.75)	19 (.75)	19 (.75)	25.4 (1)	25.4 (1)
Inngangsdriver hunn-firkant, størrelse – tomme (mm)		13 (.5)	13 (.5)	13 (.5)	13 (.5)	13 (.5)
Totale Dimensjoner Tommer (mm) (se Fig. 2)	Lengde <b>A</b>	217 (8.53)	443 (17.06)	497 (19.56)	498 (19.6)	498 (19.6)
	Girkasse Ø <b>B</b>	71 (2.81)	71 (2.81)	100 (3.94)	103 (4.06)	103 (4.06)
	Høyde <b>C</b>	83 (3.25)	83 (3.25)	102 (4.00)	146 (5.75)	165 (6.5)
Netto vekt lbs (kg)		1,8 (4)	2,5 (5.5)	4,1 (9.1)	6,9 (15.2)	8,3 (18.3)
Girets trinn		En	En	En	To	To
Nålelagere		–	–	Ja	Ja	Ja
Dreievinkelprotraktor		Nei	Nei	Ja 5° inkr	Ja 5° inkr	Ja 5° inkr
Momentkonvertering, diagram		Nei	Nei	Nei	Nei	Nei
Utskiftbar utgangsdriver		Nei	Nei	Nei	Nei	Nei

Modellnumre		E492	E493	E494	E495
Utgangskapasitet ft-lbs (Nm)		2.983 (2,200)	4.339 (3,200)	6.779 (5,000)	10.846 (8,000)
Inngangskapasitet ft-lbs (Nm)		220 (62)	235 (173)	256 (189)	209 (154)
Dreiemomentsforhold		13.6:1	18.5:1	26.5:1	52.1
Nøyaktighet		±5% av avlest verdi fra 20% til 100% av full gradering			
Utgangsdriver hann-firkant, størrelse – tomme (mm)		25.4 (1)	25.4 (1)	38 (1.5)	38 (1.5)
Inngangsdriver hunn-firkant, størrelse – tomme (mm)		13 (1/2)	13 (1/2)	13 (1/2)	13 (1/2)
Totale Dimensjoner Tommer (mm) (se Fig. 2)	Lengde <b>A</b>	356 (14.0)	356 (14.0)	378 (14.88)	387 (15.2)
	Girkasse Ø <b>B</b>	124 (4.88)	124 (4.88)	143 (5.63)	148 (5.81)
	Høyde <b>C</b>	140 (5.5)	163 (6.41)	222 (8.75)	273 (10.75)
Netto vekt lbs (kg)		7,8 (17.2)	8,9 (19.5)	15,4 (34)	22,8 (50.3)
Girets trinn		To	To	To	Tre
Nålelagere		Ja	Ja	Ja	Ja
Dreievinkelprotraktor		Nei	Nei	Nei	Nei
Momentkonvertering, diagram		Ja	Ja	Ja	Ja
Utskiftbar utgangsdriver		Ja	Ja	Ja	Ja

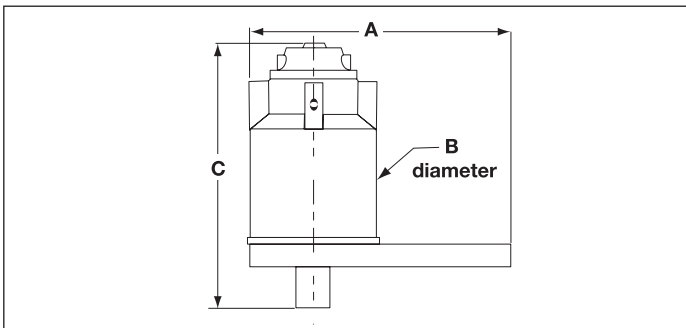


**Fig. 1, Skifte reaksjonsplate**

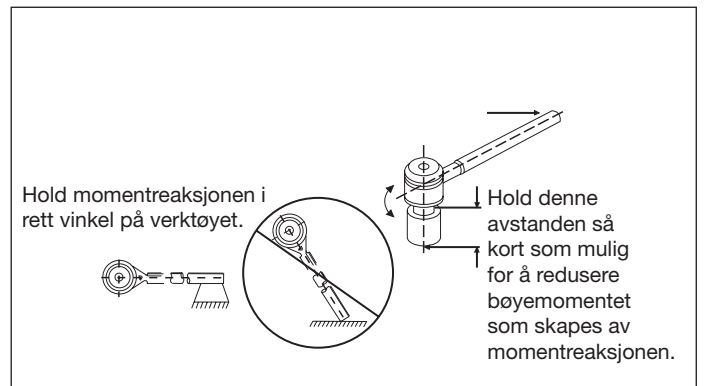
1. Reaksjonsplate / reaksjonsstang
2. Hetteskrue
3. Momentforsterker
4. Kontrollert utgangs firkantdriver



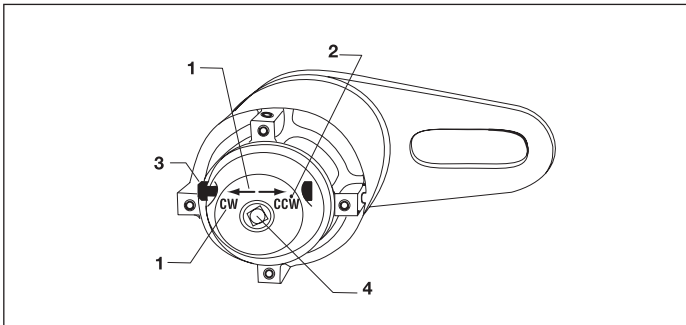
**Fig. 5, Reaksjonskrefter øker nærme forsterkeren**



**Fig. 2, Dimensjoner for momentforsterker**

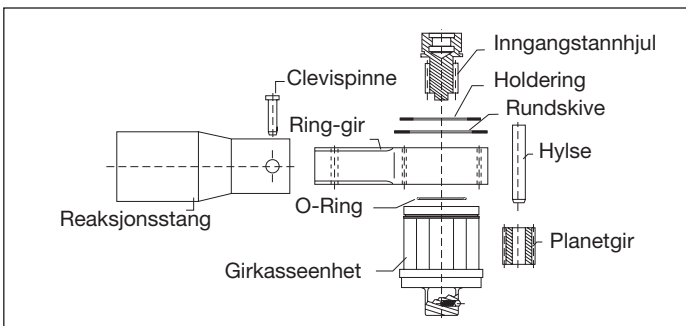


**Fig. 6, Minimiser bøyemomenter som skapes av momentforsterkerens reaksjon**

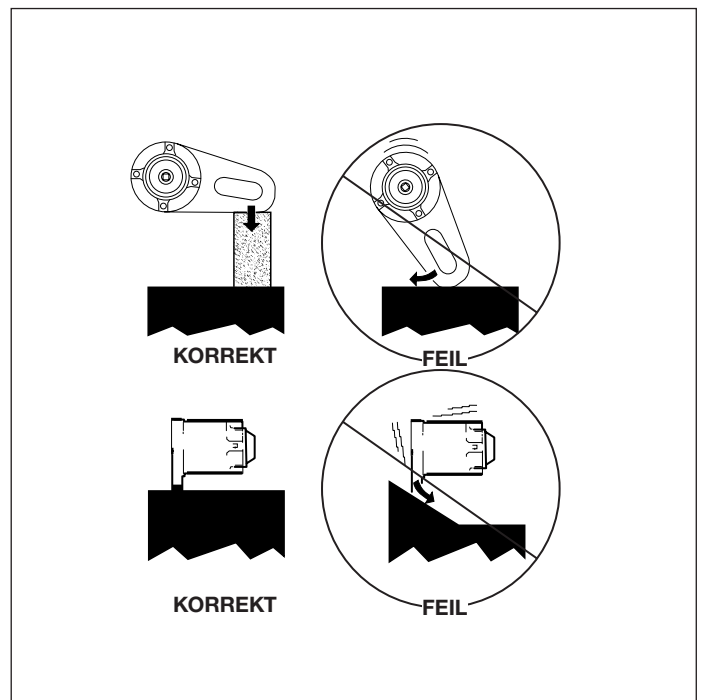


**Fig. 3, Inngangsende, utsnitt (vist med innstilling for rotasjon med klokken)**

1. Indikatorer for rotasjonsretning
2. Setteskrue for nøytral posisjon
3. Velgerspak
4. 1/2" hunn inngangs firkantdriver



**Fig. 4**



**Fig. 7, Hold reaksjonsankeret vinkelrett på reaksjonspunktet**

## 5.0 BESKRIVELSE OG DESIGNFUNKSJONER

Inngangs- og utgangsrotasjonsretninger densamme. (EKSEMPEL: Inngangsrotasjon med klokken skaper utgangsrotasjon med klokken). Momentforsterkere bruker planetgir for å stramme/løse med en kontinuerlig 360° rotasjon med eller mot klokken. En indre, toretnings anti-backlashinnretning forhindrer utilsiktet frigivelse av oppbygget moment (ikke tilgjengelig på E290+, E291, E391).

**MERK:** Reaksjonskraften er lik utgangskraften og virker i motsatt retning av inngangs/utgangs rotasjonskraft.

Reaksjonsstenger holdes på plass med en pinne eller skrue, avhengig av modellen. Reaksjonsplater festes med umbrakoskruer.

En kontrollert utgangs firkantdrivtapp (Fig. 1, Del 4) beskytter indre komponenter i tilfelle maks utgangskapasitet skulle overskrides. Denne overlastbeskyttelsen får drivtappen til å splintre når utgangskraften overskrider fra 103% til 110% av spesifisert utgangskapasitet. En reservedrivtapp er inkludert med momentforsterkeren (E391, E392, E393, E492, E493, E494, E495). (Bestill ekstra reservedeler fra din Enerpac-forhandler.)

Velgerspak (Fig. 3, Del 3) må settes i nøytral posisjon, og nøytral posisjons setteskrue (Fig. 3, Del 3) må strammes til for å låse velgerspaken for kraftdrevets virkning. Den kontrollerer momentforsterkerens rotasjonsretning for manuelt påført inngang. (Ikke tilgjengelig på modellene E290+, E291, E391). Ikke bruk pneumatisk verktøy for kraftdrev, da dette kan føre til skade på forsterkerens drev

## 6.0 DREIEMOMENTSKONVERTERINGER

En dataplate festet på momentforsterkeren viser inngangsmomentet som kreves for å oppnå ulike utgangsmomentverdier. For å beregne en bestemt inngangsverdi som ikke er listet på platen, deler man ønsket utgangsmoment med forsterkerens momentforhold. Se Spesifikasjonstabeller.

## 7.0 MANUELL BRUK

1. **MERK:** Reaksjonskraften er lik utgangskraften og virker i motsatt retning av inngangs/utgangs rotasjonskraft.
2. Sett ønsket rotasjonsretning ved å skyve velgerspaken (Fig. 3, Del 3) i retningen som indikeres av bokstavene og retningspilene preget på inngangsenden (Fig. 3, Del 1). EKSEMPEL: "CCW" for rotasjon mot klokken, trykk spaken helt over i den retning som indikeres av pilen "CCW". For rotasjon med klokken, skyves spaken i motsatt, "CW" retning. (Ikke tilgjengelig på modellene E290+, E291, E391).
3. Monter korrekt størrelse hunn firkantdrivtapphylse på momentforsterkerens utgangsfirkantdrivtapp (Fig. 1, Del 4). Plasser hylsen og momentforsterkeren på festelementet som skal trekkes til.
4. Reaksjonsplatemodeller: Plasser en korrekt størrelse hylse på slavefirkantdrevet og sett de på et festepunkt i nærheten. Reaksjonsstangmodeller: Skyv reaksjonsstangen sikkert mot et passende objekt. **MERK:** Når hylsen er korrekt plassert på festepunktet, må reaksjonsstangen være rettvinklet på mutter/bolt som det skal settes moment på (Fig. 7). Se Bruksinformasjonens avsnitt 10.0 for mer informasjon om momentforsterkerens reaksjoner.
5. Stramme til med en muttertrekker: Fastslå korrekt inngangsmoment (se momentdataplaten på verktøyet) eller referansen i avsnitt 4.0 Spesifikasjonstabeller. Nøyaktigheten

av utgangsmomentet krever en nøyaktig muttertrekker seriekoblet med momentforsterkeren. Sett på moment med muttertrekkeren til ønsket inngangsmoment er oppnådd (Fig. 5).



**ADVARSEL:** Feil på utgangens firkantdriver, som følge av momentoverlast eller slitasje, kan resultere i plutselig utløsning av dreiekraft, momentforsterkeren kan falle fra festet, og dette kan føre til personskaade.

### 6. Slik fjernes momentforsterkeren fra festeemnet:

**Anti-backlashmodeller:** bruk en muttertrekker til å sette på nok inngangsmoment til å løse den indre anti-backlashinnretningen, behold momentinngangen og skyv velgerspaken (Fig. 3, Del 3) til motsatt stilling (EKSEMPEL: Spaken satt i stillingen "CW" må tilbakeføres til stillingen "CCW"). Slipp sakte opp inngangsmomentet. (Ikke tilgjengelig på modellene E290+, E291, E391).

**Standardmodeller:** sett på moment til ønsket verdi, slipp sakte opp inngangsmomentet og fjern momentforsterkeren fra applikasjonen (modellene E290+, E291 eller E391).

7. Løse med en muttertrekker: Følg samme prosedyre som for å trekke til, men sett velgerspaken til motsatt retning.

## 8.0 PENUMATISK BRUK

Bruk en godkjent ikke-slags kraftdrev kun med modellene: (E391, E392, E393, E492, E493, E494 eller E495). **Lås velgerspaken i Nøytral** posisjon ved å sentrere den mellom "CCW" og "CW" og stramme til setteskruen (Fig. 3, Del 2).

**MERK:** Når de er satt i korrekt posisjon, vil velgerspaken IKKE bevege seg i noen retning når setteskruen for nøytral posisjon er strammet til.

## 9.0 SKIFTE AV ET FIRKANTDREV

### 9.1 Modeller E290+, E291

1. Ta av holderingen og rundskivene (Fig. 4) fra inngangssiden på momentforsterkers hus.
2. Ta av girkasseenheten fra ring-giret (momentforsterkers hus).
3. Fjern inngangstannhullet fra girkasseenheten ved å trekke og dreie. Bruk en arborpresse til å fjerne pinnene fra planetgirene /Fig. 4).
4. Skift ut girkassen med originale Enerpac reservedeler.
5. Monter planetgirene i kassen ved bruk av pressen.
6. Smør alle friksjonspunkter med høygradert fett (molybdenum-disulfid).
7. Sett på plass inngangstannhullet, installer enheten i ring-giret (i momentforsterkers hus). Sett på skiver og holdering.

### 9.2 Modeller E391, E392, E393, E492, E493, E494, E495

1. Fjern skruene (Fig. 1, Del 2) som holder reaksjonsplaten (Fig. 1, Del 1) til momentforsterkeren, og ta av reaksjonsplaten.
2. Ta ut pinnen som holder girkassen til utgangens firkantdrivtapp, og fjern den gamle firkantdrivtappen.
3. Sett inn en ny drivtapp i holderen, og juster hullet i den nedre delen av den nye drivtappen med hullet i holderen.
4. Sett i pinnen gjennom hullet i firkantdrivtappens holder og inn i hullet i drivtappen.
5. Sett på plass reaksjonsplaten på momentforsterkeren med skruene som tidligere ble fjernet (Fig. 1, Del 2).

## 10.0 INFORMASJON OM ANVENDELSE

### 10.1 Momentforsterkers reaksjon

1. Absorbering av momentforsterkers reaksjonskrefter oppnås med vanlige fremgangsmåter som beskrevet her.
2. Gjør først en vurdering av størrelsen og typen av momentverktøy som skal brukes. Undersøk plassbegrensninger og maks moment som behøves. La det være en margin på 50% tilleggskapasitet for utgangsmoment. MERK: Fester med skade eller rust kan kreve enda større løsnemomentskapasitet. Kalkuler med 100% over strammemomentet for disse forholdene. Eksempel: Korroderte tapper og strammemoment på 1.100 Nm (1.500 ft-lbs). Velg et verktøy med en kapasitet på minst 2.200 Nm (3.000 ft-lbs) for å løsne.
3. Velg et solid ankerpunkt for å minimere bøyning. Fastslå hvor reaksjonskreftene vil virke (for eksempel mot en flens eller over en tilstøtende bolt). MERK: Dette punktet må motstå momentverktøyets reaksjonskrefter. Eksempel: En 2.300 Nm (3.200 ft-lbs) momentforsterker, med reaksjon i nærheten av enden av dens ankertapp (Fig. 5) produserer en reaksjonskraft på 4.700 Nm (6.400 pund). Reduser reaksjonskraften til 1.800 Nm (2.400) pund ved å flytte reaksjonspunktet mot enden av reaksjonsplaten/stangen. Hold reaksjonspunktet tangent til rotasjonen av momentutgangen, for å forhindre økte reaksjonskrefter (Fig. 6 & 7).
4. Hold utgangsmomentets rotasjon ren ved å redusere bøyemomenter. Bøyemomenter reduserer momentets effektivitet og øker stress på verktøy og hylser. Hold avstanden mellom verktøyets utgang og festeemnet så kort som mulig (Fig. 6).
5. Forleng verktøyets levetid ved å øke arbeidsmiljøets sikkerhet, ved å fjerne momentreaksjonen så langt fra reaksjonsankeret som mulig (Fig. 5).

### 10.2 Dreievinkelprotraktor

Noen momentforsterkere inkluderer en dreievinkelprotraktor. Denne gjør at operatøren nøyaktig kan måle et bestemt antall graders rotasjon av festeemnet. Moment / dreievinkelmetoden for stramming av muttere/bolter krever en formomentsverdi, og en bestemt tilleggsrotasjon av mutter/bolt, som er kalkulert inn i denne applikasjonen. Disse data leveres av produsenten av det originale utstyret, dersom dreievinkelmoment benyttes.

L2677 Rev. C 05/19

Reparationsanvisningar för elektriska pumpar och till denna produkt finns tillgängliga på Enerpacs webbsida på [www.enerpac.com](http://www.enerpac.com), eller från ditt närmaste Enerpac auktoriserade servicecenter eller på Enerpacs försäljningskontor.

#### 1.0 VIKTIGA MOTTAGNINGSPÅBUD

Kontrollera att inga komponenter skadats under transport. Transportskador täcks inte av garantin. Meddela budet direkt om transportskador hittats. Budet ansvarar för alla reparations- och utbyteskostnader som uppkommit på grund av transportskador.

#### SÄKERHETEN FÖRST

#### 2.0 SÄKERHETSFRÅGOR



Läs noggrant igenom alla instruktioner, varningar och försiktighetsåtgärder. Följ alla säkerhetsåtgärder för att undvika personskador eller skador på egendom under systemdrift. Enerpac kan inte hållas ansvariga för skada eller skador som uppkommit på grund av olämplig produktanvändning, brist på underhåll eller felaktig produkt- och/eller systemdrift. Kontakta Enerpac när osäkerhet uppstår gällande säkerhetsåtgärder och -drift. Om du inte fått utbildning inom hydraulisk högtrycks-säkerhet, kan du höra med ditt distributions- eller servicecenter för en gratis Enerpac hydraulisk säkerhetskurs.

Att inte följa de följande försiktighetsåtgärderna och varningarna kan orsaka skador på utrustning och människor.

**EN FÖRSIKTIGHETSÅTGÄRD** används för att påvisa korrekta drifts- och underhållsprocedurer för att förhindra skador på utrustning eller annan egendom.

**EN VARNING** indikerar en möjlig fara som kräver korrekta procedurer och rätt användning för att undvika personskador.

**EN RISK** visas bara när dina handlingar eller icke utförda handlingar kan orsaka allvarliga skador eller till och med dödsfall.



**WARNING!** Bibehåll stadig handkontroll på momentnyckeln eller inmatningshandtaget, när multiplikatorn släpps, eftersom du kommer att känna av reky! (upprullning).



**WARNING!** Förhindra oavsiktlig momentfrigöring. Ställ in neutrallägets inställningsskruv (fig. 3, nr. 2) jäms med överdelen på huset när momentmultiplikatorn används MANUELLT. Väljarspärren (fig. 3, nr. 3) måste också röra sig fritt i medurs- och moturslägena. Personskada kan bli resultatet om den inte ställs in ordentligt.



**WARNING!** Håll inte momentmultiplikatorns reaktionsstång eller reaktionsplatta (fig. 1, nr. 1) medan du applicerar vridmoment. Normalt multiplikatorutslag kan skapa en klämpunkt.



**WARNING!** Verifiera manuell momentnyckelsexakthet före varje användning. Momentmultiplikatorverktyg ökar momentet väsentligt, med skada på arbetet som resultat.



**WARNING!** Kontrollera reaktionsplattans/-stångens fästsruvar för att se till att de är åtdragna (fig. 1, nr. 2) för VARJE användning.



**WARNING!** Undersök den fyrkantiga uteffektsdrivtappen (fig. 1, nr. 4) och leta efter synliga tecken på utmattning eller brott. Byt ut vid behov.



**WARNING!** Om den fyrkantiga uteffektsdrivtappen går sönder, kan det resultera i omedelbar momentfrigöring. Momentmultiplikatorn kan falla av fästet, och det kan resultera i personskada.



**WARNING!** Vid användning av en uteffektsdrivningsförlängning (endast modeller med reaktionsplatta) krävs en dubbelsidig platta. Underlåtenhet att använda en dubbelsidig reaktionsplatta kan orsaka att momentmultiplikatorn tvingas sidledes på applikationen, vilket resulterar i brott på multiplikator och/eller hållare.



**WARNING!** Använd inte uteffektsdrivningsförlängning på modeller med reaktionsstång. Det kan resultera i personskada.



**WARNING!** Välj en förankringspunkt som är tillräcklig att motstå vridmomentreaktionskrafter. Reaktionskraft är lika med UTEFFEKT-moment.



**WARNING:** Använd lämplig personlig skyddsutrustning när hydraulisk utrustning används.



**WARNING:** Befinn dig inte nära laster som hålls uppe genom hydraulik. En cylinder, som används som lastlyftare, får aldrig användas som lasthållare. Efter att lasten höjts och sänkts måste den alltid vara mekaniskt blockerad.



**WARNING: ANVÄND BARA MYCKET HÅLLBAR UTRUSTNING FÖR ATT SÄKRA LASTERNA.** Välj noggrant ut stål- och träblock som kan hålla lasten uppe. Använd aldrig en hydraulisk cylinder som ett mellanlägg i någon lyft- eller pressanordning.



**WARNING:** Byt direkt ut utslitna eller skadade delar med äkta ENERPAC-delar. Standarddelar kan gå sönder vilket orsakar personskador och egendomsskador. ENERPAC-delar är tillverkade för att passa perfekt och motstå höga laster.

### 3.0 INSTRUKTIONER



Läs och var införstådd med dessa användaranvisningar innan du använder momentmultiplikatorn.

**OBS! ANVÄND INTE SLAGNYCKEL PÅ MOMENTMULTIPLIKATORN. SKADA PÅ VERKTYGET KAN UPPSTÅ.**

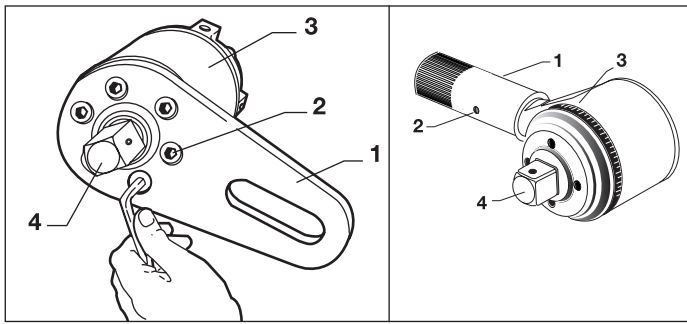
1. Vid användning av MOTOR-driven ineffekt, lås väljarspärren i neutralläge med justerskruven för neutrallägesinställning.
2. När multiplikatorn placeras ska du se till att hållaren som är fäst vid uteffekten placeras så att reaktionsplattan är högvinklad i förhållande till fästet. Momentreaktion skapar en rotationskraft i motsatt riktning från vilken ineffektskraften appliceras. Se Applikationsinformation avsnitt 10.0 för ytterligare information om momentmultiplikatorreaktion.
3. Applicera **INTE** mera vridmoment än applikationen kan tåla. Genombrottsmoment kan vara större än ineffektsmoment. Tillåt minst 50 % ytterligare verktygskapacitet för genombrottsmoment. Skadade eller korroderade fästen kan kräva ännu större genombrottsmomentkapacitet.
4. Övervaka ineffektmomentet med en momentnyckel. Om momentmultiplikator används utan momentnyckel, kom då ihåg att **uteffektsmomentet** är väsentligt större än **ineffektsmomentet**.
5. **Öka momentmultiplikatorns livslängd.** Bibehåll kortast möjliga kopplingsavstånd mellan momentmultiplikatoruteffekten (fig. 6) och det fäste som du riktar dig till. Bibehåll längsta möjliga avstånd mellan momentmultiplikatorn och reaktionspunkten (fig. 5).
6. Skydda din garanti och använd endast av Enerpac godkända fyrkantiga uteffektsdrivtappar och reservdelar.

#### 4.0 SPECIFIKATIONSTABELLER

Modellnummer		E290PLUS	E291	E391	E392	E393
Uteffektskapacitet, FT-Lb (Nm)		1.020 (750)	1.358 (1,000)	1.627 (1,200)	2.983 (2,200)	4.340 (3,200)
Ineffektskapacitet, FT-Lb (Nm)		339 (250)	451 (333)	271 (200)	220 (162)	234 (173)
Vridmomentförhållande		3:1	3:1	6:1	13.6:1	18.5:1
Noggrannhet		±5 % av avläsningen från 20 % till 100 % på fullskalevärdering				
Uteffektsdrivenhetens hankvadratstorlek – tum (mm)		19 (.75)	19 (.75)	19 (.75)	25.4 (1)	25.4 (1)
Ineffekt drivenhetens honfykantshylsstorlek – tum (mm)		13 (.5)	13 (.5)	13 (.5)	13 (.5)	13 (.5)
Totalmått Tum (mm) (se fig. 2)	Längd <b>A</b>	217 (8.53)	443 (17.06)	497 (19.56)	498 (19.6)	498 (19.6)
	Växellåda diameter <b>B</b>	71 (2.81)	71 (2.81)	100 (3.94)	103 (4.06)	103 (4.06)
	Höjd <b>C</b>	83 (3.25)	83 (3.25)	102 (4.00)	146 (5.75)	165 (6.5)
Nettovikt i lb. (kg)		1,8 (4)	2,5 (5.5)	4,1 (9.1)	6,9 (15.2)	8,3 (18.3)
Planetväxelsteg		En	En	En	Två	Två
Nållager		–	–	Ja	Ja	Ja
Vinkelgradskiva		Nej	Nej	Ja 5° ökning	Ja 5° ökning	Ja 5° ökning
Momentomräkningstabell		Nej	Nej	Ja	Ja	Ja
Skjuvningsbar utbytbar uteffekt drivenhet		Nej	Nej	Ja	Ja	Ja

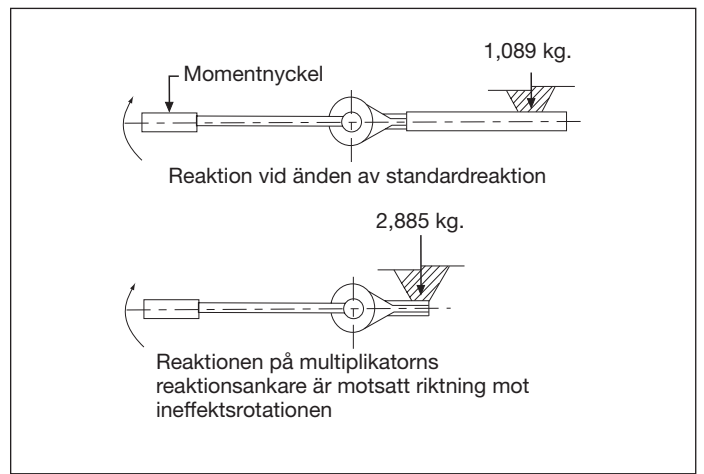
Modellnummer		E492	E493	E494	E495
Uteffektskapacitet, FT-Lb (Nm)		2.983 (2,200)	4.339 (3,200)	6.779 (5,000)	10.846 (8,000)
Ineffektskapacitet, FT-Lb (Nm)		220 (62)	235 (173)	256 (189)	209 (154)
Vridmomentförhållande		13.6:1	18.5:1	26.5:1	52.1
Noggrannhet		±5 % av avläsningen från 20 % till 100 % på fullskalevärdering			
Uteffektsdrivenhetens hankvadratstorlek – tum (mm)		25.4 (1)	25.4 (1)	38 (1.5)	38 (1.5)
Ineffekt drivenhetens honfykantshylsstorlek – tum (mm)		13 (1/2)	13 (1/2)	13 (1/2)	13 (1/2)
Totalmått Tum (mm) (se fig. 2)	Längd <b>A</b>	356 (14.0)	356 (14.0)	378 (14.88)	387 (15.2)
	Växellåda diameter <b>B</b>	124 (4.88)	124 (4.88)	143 (5.63)	148 (5.81)
	Höjd <b>C</b>	140 (5.5)	163 (6.41)	222 (8.75)	273 (10.75)
Nettovikt i lb. (kg)		7,8 (17.2)	8,9 (19.5)	15,4 (34)	22,8 (50.3)
Planetväxelsteg		Två	Två	Två	Tre
Nållager		Ja	Ja	Ja	Ja
Vinkelgradskiva		Nej	Nej	Nej	Nej
Momentomräkningstabell		Ja	Ja	Ja	Ja
Skjuvningsbar utbytbar uteffekt drivenhet		Ja	Ja	Ja	Ja



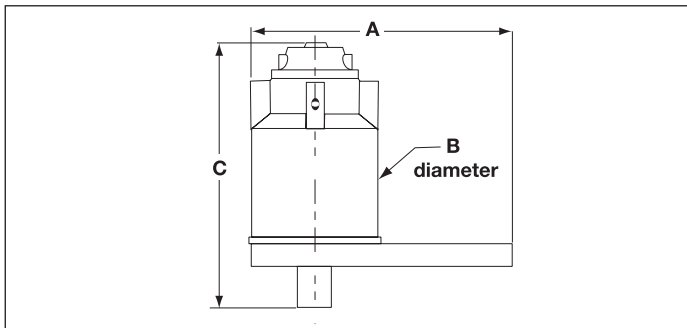


**Fig. 1, Byte av Reaktionsplatta**

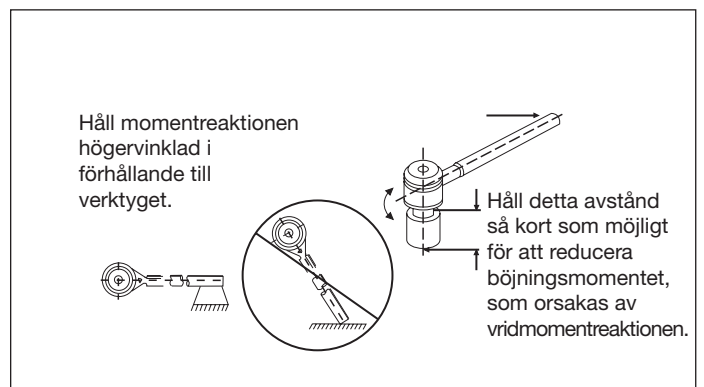
1. Reaktionsplatta / reaktionsstång
2. Insexskruvar
3. Momentmultiplikator
4. Kontrollerad skäruteffektsdrivtapp



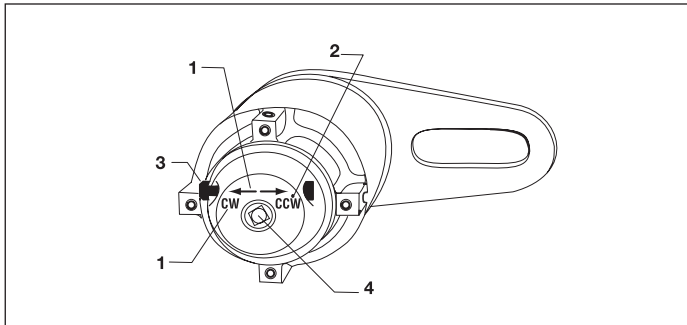
**Fig. 5, Reaktionskrafterna ökar närmare multiplikatorn**



**Fig. 2, Momentmultiplikatorns dimensioner**

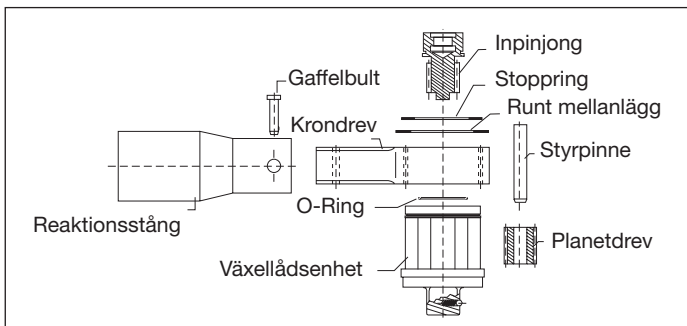


**Fig. 6, Begränsa böjningsmomenten som skapas av momentmultiplikatorns reaktion**

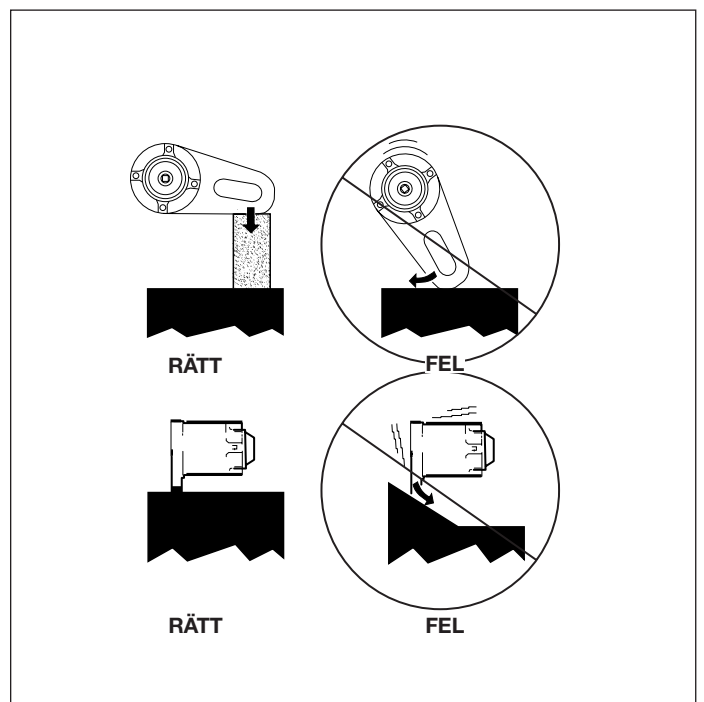


**Fig. 3, Ineffektändsdetalj (visas inställd för medurs rotation)**

1. Rotationsriktningsindikatorer
2. Justerskruv för neutrallägesinställning
3. Väljarspär
4. 1,27 cm (1/2-tums) honfyrcantshylsa



**Fig. 4**



**Fig. 7, Håll reaktionsankaret i rät vinkel mot reaktionspunkten.**

## 5.0 BESKRIVNING OCH KOMPONENTDELAR

In- och uteffektsrotationsriktningar är desamma. (EXEMPEL: Medurs ineffektsrotation skapar medurs uteffektsrotation). Momentmultiplikatorer använder planetväxelverkan för att dra åt/lossa med en kontinuerlig 360° rotation i antingen medurs eller moturs riktning. En intern, dubbelriktad anti-motreaktionsanordning förhindrar oavsiktlig momentrekylfrigöring (finns ej på E290+, E291, E391)

**OBS!** Reaktionskraften är lika med uteffektskraften och är i motsatt riktning av ineffekt-/uteffektrotationskraften.

Reaktionsstänger hålls på plats med en spärrtapp eller insexskruv, beroende på modell. Reaktionsplattor är fästa med insexskruvar.

En kontrollerad skäruteffektsdrivtapp (fig. 1, nr 4) skyddar interna komponenter i händelse av att maximal uteffektskapacitet överskrids. Denna överbelastningsfunktion orsakar brott i drivenheten när uteffekten överskrider från 103 % till 110 % av den nominella uteffektskapaciteten. En utbytesdrivenhet medföljer momentmultiplikatorn (E391, E392, E393, E492, E493, E494, E495). (Beställ ytterligare reservdelar från din Enerpac-distributör).

Väljarspärren (fig. 3, nr 3) måste ställas i neutralläget och justerskraven för neutrallägesinställning (fig. 3, nr 3) måste dras åt för att låsa väljarspärren för drift av motorenheten. Den kontrollerar momentmultiplikatorns rotationsriktning för manuellt applicerad ineffekt. (Finns ej på modellerna E290+, E291, E391). Använd inte slagnyckel för motordrift, eftersom det kommer att resultera i skada på multiplikatorns kraftöverföring.

## 6.0 MOMENTKONVERTERINGAR

En dataplatta fäst vid momentmultiplikatorn visar ineffektsmomentet som krävs för att få angivna uteffektsmomentvärden. För att beräkna ett specifikt ineffektsvärde som inte anges på dataplattan, delar du det önskade uteffektsmomentet med multiplikatorns vridmomentförhållande. Se specifikationstabellerna.

## 7.0 MANUELL DRIFT

1. **OBS!** Reaktionskraften är lika med uteffektskraften och är i motsatt riktning av ineffekt-/uteffektrotationen.
2. Ställ in önskad rotationsriktning genom att trycka på väljarspärren (fig. 3, nr. 3) i den riktning som indikeras av bokstäverna och riktningsspilarna som stansats in på ineffektslådan (fig. 3, nr. 1). EXEMPEL: "CCW" för moturs rotation: tryck spärren till sitt ändläge i den riktning som visas av "CCW"-pilen. För medurs rotation, tryck spärren i den motsatta "CW"-riktningen (medurs). (Finns ej på modellerna E290+, E291, E391).
3. Montera rätt storlek av honfyrcantshylsa på momentmultiplikatorns fyrkantiga uteffektsdrivenhet (fig. 1, nr. 4) Placera hylsa och momentmultiplikator på fästet som ska dras åt.
4. **Reaktionsplattmodeller:** Placera en lämpligt stor hylsa på den fyrkantiga slavdrivenheten och fäst den vid ett närliggande fäste.

**Reaktionstångsmodeller:** Stöt in reaktionsstången ordentligt mot ett lämpligt föremål. **OBS!** När hylsan placerats ordentligt på fästet, måste reaktionsstången vara i rätt vinkel mot fästet till vilket momentet appliceras (fig. 7) Se Applikationsinformation avsnitt 10.0 för ytterligare information om momentmultiplikatorreaktion.

5. Dra åt med en momentnyckel: Fastställ rätt ineffektsmoment som krävs (se momentsdatapattan på verktyget) eller se efter i avsnitt 4.0 Specifikationstabeller. Uteffektsmomentnoggrannhet kräver en exakt momentnyckel i serie med momentmultiplikatorn. Applicera vridmoment med momentnyckeln tills önskat ineffektsmoment uppnås (fig. 5).



**WARNING!** Om den fyrkantiga uteffektsdrivtappen går sönder beroende på momentöverbelastning eller utmattning, kan det resultera i omedelbar momentfrigöring, och eventuellt orsaka att momentmultiplikatorn faller av fästet, och det kan resultera i personskada.

6. Gör så här för att ta bort momentmultiplikatorn från fästet:

**Modeller med anti-motreaktionsanordning** med en momentnyckel applicerar du tillräckligt ineffektsmoment för att frigöra den interna anti-motreaktionsanordningen: bibehåll momentineffekten och tryck på väljarspärren (fig. 3, nr. 3) i motsatt riktning (EXEMPEL: Spärr inställd i medursriktning (CW) måste ställas om till motursriktning (CCW)). Lätta långsamt på ineffektsmomentet. (Finns ej på modellerna E290+, E291 eller E391).

**Standardmodeller** applicera vridmoment till önskat värde, och lätta sedan långsamt på ineffektsmomentet och ta bort momentmultiplikatorn från applikationen (modellerna E290+, E291 eller E391).

7. Lossa med en momentnyckel: Följ samma procedur som för åtdragning, men ställ in väljarspärren i motsatt riktning.

## 8.0 PNEUMATISK DRIFT

Använd en godkänd anslagsfri motordrivenhet med modellerna: (endast E391, E392, E393, E492, E493, E494 eller E495). Lås väljarspärren i Neutral-läget genom att centrera den mellan lägena "CW" och "CCW" och dra åt justerskraven (fig. 3, nr. 2).

**OBS!** När den ställs in i rätt läge förflyttar sig väljarspärren INTE i endera riktning, när justerskraven för neutralläget dragits åt.

## 9.0 BYTE AV FYRKANTIG DRIVENHET

### 9.1 Modellerna E290PLUS, E291

1. Ta bort låsringen och de runda mellanlaggen (figur 4) från insidan av momentmultiplikatorhuset.
2. Ta bort växellådsenheten från ringväxeln (momentmultiplikatorhuset).
3. Ta bort ineffektspinjongen från växellådsenheten med en drag- och vridrörelse. Använd en mekanisk press för att ta bort styripinnen från planetväxlarna (figur 4).
4. Byt ut växellådsenheten mot en äkta Enerpac-reservdel.
5. Sätt ihop planetväxlarna i växellådsenheten med en mekanisk press.
6. Smörj alla friktionspunkter med högklassigt molybdendisulfidfett.
7. Sätt ihop ineffektspinjongen, montera enheten i ringväxeln (momentmultiplikatorhuset). Sätt ihop mellanlägg och låsring.

### 9.2 Modellerna E391, E392, E393, E492, E493, E494, E495

1. Ta bort skruvarna (fig. 1, nr. 2) som håller fast reaktionsplattan (figur 1, nr. 1) vid momentmultiplikatorn, och ta bort reaktionsplattan från momentmultiplikatorn.
2. Ta bort bulten som kopplar in växellådan med den fyrkantiga uteffektsdrivenheten och ta bort den gamla fyrkantiga uteffektsdrivenheten.

3. Sätt in en ny fyrkantig drivenhet i hållaren för den fyrkantiga drivenheten, och rikta in hålet i nedre delen av den nya fyrkantiga drivenheten med hålet i hållaren för den fyrkantiga drivenheten.
4. Sätt in bulten genom hålet i hållaren för den fyrkantiga drivenheten och i hålet på den nya fyrkantiga drivenheten.
5. Sätt tillbaka reaktionsplattan på momentmultiplikatorn med de skruvar som du tidigare skruvade loss (fig. 1, nr. 2).

## 10.0 APPLIKATIONSINFORMATION

### 10.1 Momentmultiplikatorreaktion

1. Att absorbera momentmultiplikatorkrafter kan åstadkommas med vanlig praxis som anges här.
2. Beakta först storlek och typ för det vridmomentsverktyg som krävs för applikationen. Granska utrymmesgränningar så väl som det max. vridmoment som behövs. Tillåt minst 50 % ytterligare verktygskapacitet för genombrottsmoment. OBS! Skadade eller korroderade fästen kan kräva ännu större genombrottsmomentkapacitet. Tillåt minst 100 % över ombrytningsmomentet för dessa förhållanden. Exempel: Korroderade bultar och ett ombrytningsmoment på 2033,4 Nm (1 500 ft-lbs). Välj ett verktyg med en kapacitet på minst 4066,8 Nm (3 000 ft-lbs) för frigöring.
3. Välj en solid ankarpunkt för att reducera deflektionen. Fastställ var reaktionskrafterna kommer att äga rum (t.ex. mot en fläns eller över en närliggande bult). OBS! Denna punkt måste motstå momentverktygets reaktionskrafter. Exempel: E, 4337,9 Nm (3 200 ft-lb.) momentmultiplikator, med reaktion nära änden av sin ankarbult (figur 5) producerar en reaktion på 2903 kg (6,400 pounds). Reducera reaktionskraften till 1089 kg (2,400 pounds) genom att flytta reaktionspunkten mot änden av reaktionsplattan/-stången. Håll reaktionspunkten tangent med momentuteffektens rotation för att förhindra ökade reaktionskrafter (figur 6 och 7).
4. Håll uteffektmomentrotationen ren genom att reducera böjningsmoment. Böjningsmoment minskar momenteffektivitet och ökar stress på verktyget och hylsorna. Håll avståndet mellan verktygets uteffekt och fästet så kort som möjligt (figur 6).
5. Förläng verktygets livslängd och öka arbetsmiljösäkerheten genom att ta momentreaktionen så långt ut som möjligt på reaktionsankaret (fig. 5).

### 10.2 Vinkelgradskiva

En del momentmultiplikatorer inkluderar en vinkelgradskiva. Detta ger användaren möjlighet att noggrant mäta ett specifikt antal rotationsgrader på fästet. Vridmoments- / vändningsvinkelmetoden att dra åt fästen kräver ett förmomentsvärde, och en specifik extra rotation av fästet, som har byggts in i applikationen. Dessa data levereras av originalutrustningstillverkarens maskintekniska avdelning om vändningsvinkelmomentdragning är tillämplig.

L2677 Rev. C 05/19

本产品的维修部件说明可以从ENERPAC网站 WWW.ENERPAC.COM, 或从您最近的ENERPAC服务中心, 或ENERPAC办事处获得。

#### 1.0 重要收货说明

检查所有零件是否存在运输损伤。运输过程中的损伤不在质保范围。如发现运输过程中的损伤, 请立即通知承运商, 其有责任承担由运输损坏造成的修理及更换费用。

#### 安全第一

#### 2.0 安全条例



阅读所有说明书, 警告及注意事项。操作时, 遵守一切安全规则, 避免发生人身伤害及财产损失。如果用户由于非安全生产, 缺乏正常维护, 操作或使用不当而造成的人身伤害及财产损失, ENERPAC不负任何责任。如对安全防范及措施有任何疑问, 请和ENERPAC联系。如果您在高压液压方面从未接受过培训, 请联系您本地区的分销商或服务中心进行免费的ENERPAC液压安全培训课程。

不遵守下列警示及防范条例, 将会造成设备损坏及人身伤害。

注意-用来说明正确的操作、维护程序以及如何避免伤害或损坏设备及其他财产。

警告-说明一种潜在的危險, 要求有正确的程序和习惯以避免人身伤害。

危險-仅是指您的某个动作(或缺乏某个动作)可能导致严重的伤害甚至死亡事故。



警告: 释放倍增器时请紧紧握住转矩扳手或输入手柄, 因为会发生回弹(卷起)。



警告: 防止扭矩意外释放; 在手动操作扭矩倍增器时, 请务必让中间位置的固定螺钉(图 3, 第 2 项)与机壳顶部平齐。选择器棘爪(图 3, 第 3 项)在 CW 和 CCW 位置也必须能够自由操作。如果设置不正确会造成人身伤害。



警告: 施加扭矩时, 不要握住扭矩倍增器作用棒或作用板(图 1, 第 1 项)。倍增器垂直变形会导致挤压



警告: 每次使用前, 请检查手动转矩扳手的精度。扭矩倍增器会大幅提高扭矩; 可能会损坏机件。



警告: 在每一次使用前检查作用板/棒紧固螺钉, 确保它们都已上紧(图 1, 第 2 项)。



警告: 每次使用前检查输出方形驱动头(图 1, 第 4 项), 看是否存在明显的疲劳或断裂迹象。必要时进行更换。



警告: 输出方形驱动头如果出现故障, 会导致扭矩立即释放; 这样, 扭矩倍增器就可能从紧固件上跌落, 造成人身伤害。



警告: 使用输出驱动头加长杆(仅限作用板型号)时, 需要双头作用板。如果不使用双头作用板, 扭矩倍增器会被迫向一侧偏斜, 造成倍增器和/或套筒断裂。



警告: 不要在作用棒型号上使用输出驱动头加长杆。可能出现人身伤害。



警告: 选择一个足以承受扭矩作用力的定位点。作用扭矩大小等于输出扭矩。



警告: 当操作高压液压系统时应配备正确的劳动保护装备。



支撑。

警告: 不要在被液压支撑的负载下逗留。当油缸被用来作为顶升负载的装置时, 绝不能够作为负载支撑装置来使用。在负载被顶升或下降后, 必须采用机械装置牢固



警告: 必须使用刚性物体来支撑重物。仔细选择能够承受重物的钢或者木块来支撑载荷。不要在顶升或挤压应用中将液压缸当作垫块使用



警告: 及时用正牌的ENERPAC零件替换已磨损或已损坏的零件。普通级别的零件会破裂, 导致人身伤害和财产损失。ENERPAC零部件被设计来承受高压载荷。

### 3.0 说明



使用扭矩倍增器前，请先阅读并理解这些操作说明。

注：不要在扭矩倍增器上使用冲击式套筒扳手。否则会损坏工具。

1. 使用电动输入装置时，使用中间位置固定螺钉（图 3，第 2 项）将选择器棘爪固定在中间位置
2. 定位扭矩倍增器时，请务必确定输出装置上连接的套筒，以便让作用板与紧固件成直角。扭矩作用会在输入力施加方向的相反方向上形成旋转力。参见第 10.0 节“应用信息”，了解扭矩倍增器作用的其他信息。

3. 所施加扭矩不要超过应用对象的承受能力。启动扭矩可以大于输入扭矩。至少应预留 50% 的额外设备能力用于启动扭矩。损坏或腐蚀的紧固件需要的启动扭矩要更大些。
4. 使用转矩扳手监控输入扭矩。如果在没有转矩扳手的情况下使用扭矩倍增器，请记住：输出扭矩远远大于输入扭矩。
5. 延长扭矩倍增器的使用寿命。尽可能缩短扭矩倍增器输出（图 6）和被作用紧固件之间的连接距离。尽可能延长扭矩倍增器和作用点之间的距离（图 5）。
6. 为了维护质保的有效性，只能使用 Enerpac 认可的输出方形驱动头和替换零件。

### 4.0 规格表

型号		E290PLUS	E291	E391	E392	E393
输出扭矩, Nm (Ft-Lb)		1.020 (750)	1.358 (1,000)	1.627 (1,200)	2.983 (2,200)	4.340 (3,200)
输入扭矩, Nm (Ft-Lb)		339 (250)	451 (333)	271 (200)	220 (162)	234 (173)
扭矩比		3:1	3:1	6:1	13.6:1	18.5:1
精确度		当读数是额定值的 20% 到 100% 时，该值为 ±5%				
输出驱动外方头尺寸 - mm (英寸)		19 (.75)	19 (.75)	19 (.75)	25.4 (1)	25.4 (1)
输入驱动内方头尺寸 - mm (英寸)		13 (.5)	13 (.5)	13 (.5)	13 (.5)	13 (.5)
整体尺寸 mm (英寸) (见图 2)	长度 A	217 (8.53)	443 (17.06)	497 (19.56)	498 (19.6)	498 (19.6)
	齿轮箱 B	71 (2.81)	71 (2.81)	100 (3.94)	103 (4.06)	103 (4.06)
	高度 C	83 (3.25)	83 (3.25)	102 (4.00)	146 (5.75)	165 (6.5)
净重 lb. (kg)		1,8 (4)	2,5 (5.5)	4,1 (9.1)	6,9 (15.2)	8,3 (18.3)
行星齿轮传动阶段		一个	一个	一个	两个	两个
滚针轴承		-	-	有	有	有
回转角量角器		无	无	有 增量 5°	有 增量 5°	有 增量 5°
扭矩换算表		无	无	有	有	有
可剪可更换型输出驱动头		无	无	有	有	有
型号		E492	E493	E494	E495	
输出扭矩, Nm (Ft-Lb)		2.983 (2,200)	4.339 (3,200)	6.779 (5,000)	10.846 (8,000)	
输入扭矩, Nm (Ft-Lb)		220 (62)	235 (173)	256 (189)	209 (154)	
扭矩比		13.6:1	18.5:1	26.5:1	52.1	
精确度		当读数是额定值的 20% 到 100% 时，该值为 ±5%				
输出驱动外方头尺寸 - mm (英寸)		25.4 (1)	25.4 (1)	38 (1.5)	38 (1.5)	
输入驱动内方头尺寸 - mm (英寸)		13 (1/2)	13 (1/2)	13 (1/2)	13 (1/2)	
整体尺寸 mm (英寸) (见图 2)	长度 A	356 (14.0)	356 (14.0)	378 (14.88)	387 (15.2)	
	齿轮箱 B	124 (4.88)	124 (4.88)	143 (5.63)	148 (5.81)	
	高度 C	140 (5.5)	163 (6.41)	222 (8.75)	273 (10.75)	
净重 kg (Lb.)		7,8 (17.2)	8,9 (19.5)	15,4 (34)	22,8 (50.3)	
行星齿轮传动阶段		两个	两个	两个	三个	
滚针轴承		有	有	有	有	
回转角量角器		无	无	无	无	
扭矩换算表		有	有	有	有	
可剪可更换型输出驱动头		有	有	有	有	

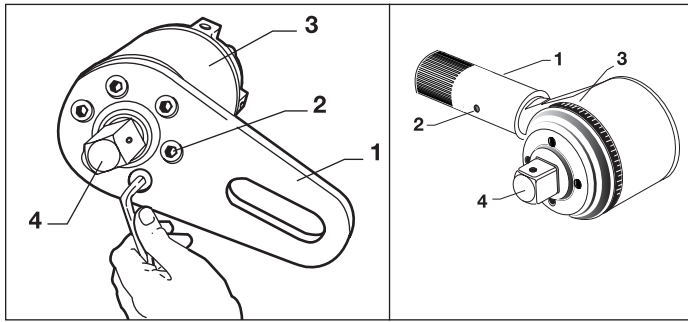


图 1 - 更换作用板

1. 作用板/作用棒
2. 内六角螺钉
3. 扭矩倍增器
4. 控制切变输出方形驱动头

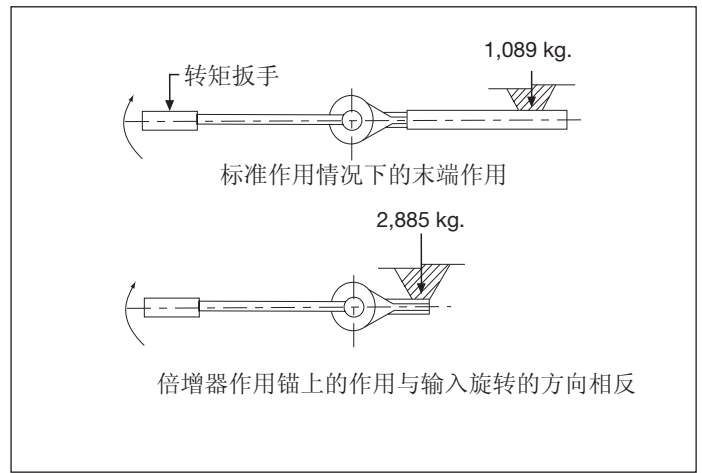


图 5 - 离倍增器越近，作用力越大

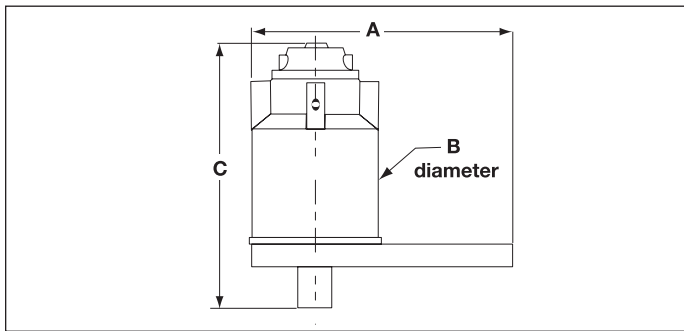


图 2 - 扭矩倍增器尺寸

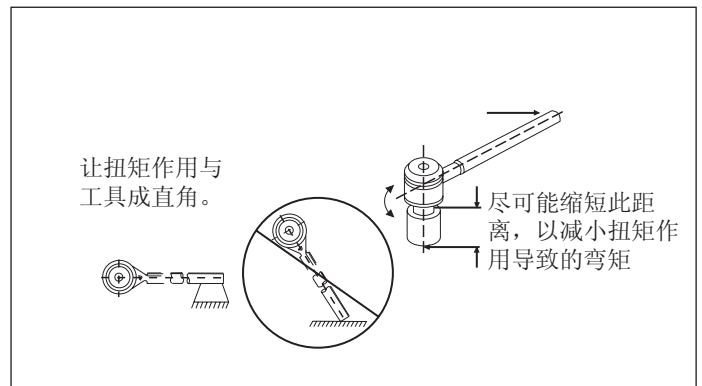


图 6 - 最大程度地减少扭矩倍增器作用导致的弯矩

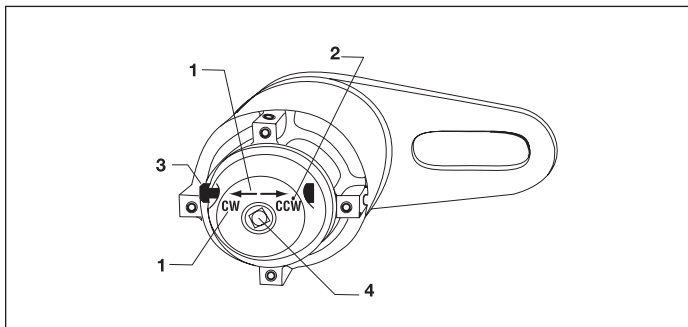


图 3 - 输入端示意图 (显示顺时针旋转的设置)

1. 旋转方向指示器
2. 中间位置固定螺钉
3. 选择器棘爪
4. 12.7 厘米 (1/2 英寸) 输入内方头

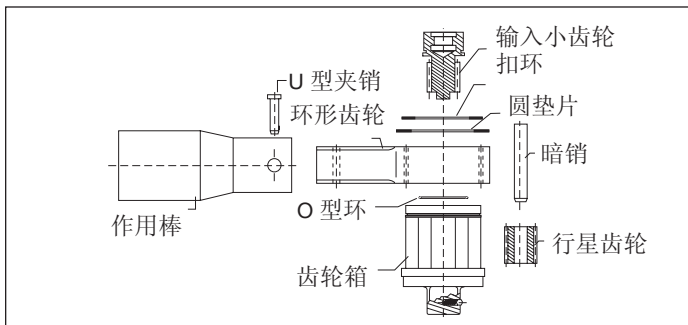


图 4

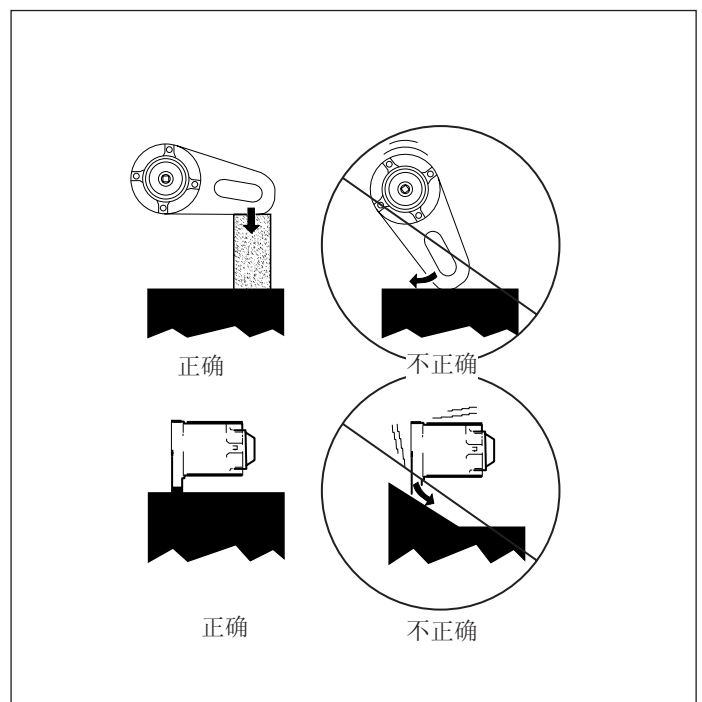


图 7 - 让作用锚与作用点垂直。

## 5.0 说明和设计特点

输入旋转方向和输出旋转方向相同。（示例：顺时针输入旋转会导致顺时针输出旋转）。扭矩倍增器利用行星齿轮作用，在顺时针或逆时针方向上连续旋转 360°，以拧紧/松开零件。内部的双向无齿隙设备可防止扭矩意外卷起释放（E290+、E291、E391 不提供）。

注：作用力大小等于输出力，方向与输入/输出旋转力相反。

根据型号，将作用棒用制动销或内六角螺钉固定。作用板通过内六角螺钉连接。

控制切变输出方形驱动头（图 1 第 4 项）在超出最大输出能力时可以保护内部组件。当输出超过额定输出能力的 103% 到 110% 时，这个过载保护功能会导致驱动头破裂。扭矩倍增器包括一个替换驱动头（E391、E392、E393、E492、E493、E494、E495）。（请从 Enerpac 经销商那里订购其他替换零件）

选择器棘爪（图 3，第 3 项）必须设置在中间位置，中间位置固定螺钉（图 3，第 3 项）必须拧紧，锁定选择器棘爪，以便操作电动设备。对于手动施加的输入而言，它可以控制扭矩倍增器的旋转方向。（E290+、E291、E391 型号不提供）不要使用冲击式套筒扳手进行动力驱动，否则会损坏倍增器传动系统。

## 6.0 扭矩换算

扭矩倍增器上的铭牌显示了获得所列输出扭矩值所需要的输入扭矩。要计算铭牌没有列出的特定输入值，请用所需输出扭矩除以倍增器扭矩比。参见规格表。

## 7.0 手动操作

- 注：作用力大小等于输出力，方向与输入/输出旋转相反。
- 按照输入端盒子上（图 3，第 1 项）的字母和方向箭头指示的方向推动选择器棘爪（图 3，第 3 项），设置所需旋转方向。示例：“CCW”代表逆时针旋转，将棘爪推到“CCW”箭头所示方向的行程末端。对于顺时针旋转，按对应的“CW”方向推动棘爪。（E290+、E291、E391 型号不提供）。
- 将适当尺寸的内方头套筒安装到扭矩倍增器的输出方形驱动头上（图 1，第 4 项）。将套筒和扭矩倍增器放在要拧紧的紧固件上。
- 作用板型号：将适当尺寸的套筒放在从动方形驱动头上，然后将其连接到相邻紧固件。  
作用棒型号：将作用棒牢牢抵到一个适合的對象上。注：在紧固件上正确定位套筒后，作用棒必须与施加扭矩的紧固件保持直角（图 7）。参见第 10.0 节“应用信息”，了解扭矩倍增器使用的其他信息。
- 使用转矩扳手拧紧：确定所需的正确输入扭矩（参见工具上的扭矩铭牌），或参考第 4.0 节“规格表”。输出扭矩精度要求在扭矩倍增器上串联一个精确的转矩扳手。使用转矩扳手施加扭矩，直到达到所需的输入扭矩为止（图 5）。



警告：扭矩过载或断裂造成的输出方形驱动头故障，会导致扭矩立即释放，这种情况有可能造成扭矩倍增器从紧固件上跌落，导致人身伤害

- 从紧固件上卸下扭矩倍增器：  
无齿隙型号：使用转矩扳手施加足够大的输入扭矩，松开内部无齿隙设备；保持扭矩输入，将选择器棘爪（图 3，第 3 项）推到相反位置（示例：原先在“CW”位置的棘爪需要重置到“CCW”位置）。缓慢释放输入扭矩。（E290+、E291 或 E391 型号不可用）。  
标准型号：让扭矩达到预期额定值，然后缓慢释放输入扭矩，从应用对象上卸下倍增器（E290+、E291 或 E391 型号）。
- 使用转矩扳手松开：除了需要将选择器棘爪设置到相反位置之外，其余内容与拧紧过程相同。

## 8.0 气动操作

使用适当型号的、认可的非冲击式动力驱动头：（仅限 E391、E392、E393、E492、E493、E494 或 E495）。让选择器棘爪在“CW”和“CCW”位置之间居中，然后拧紧固定螺钉（图 3，第 2 项），就可以将选择器棘爪锁定在中间位置。

注：选择器棘爪在适当位置固定好之后，当您拧紧中间位置的固定螺钉时，选择器棘爪不会向任何方向移动。

## 9.0 更换方形驱动头组件

### 9.1 型号 E290PLUS、E291

- 从扭矩倍增器外壳的输入侧卸下扣环和圆垫片（图 4）。
- 从环形齿轮上卸下齿轮箱（扭矩倍增器外壳）。
- 通过拉、扭运动，从齿轮箱上卸下输入小齿轮。使用手扳压机从行星齿轮上卸下暗销（图 4）。
- 用正品 Enerpac 替换零件替换齿轮箱。
- 使用手扳压机将行星齿轮重新装到齿轮箱中。
- 用二硫化钼高级润滑油润滑全部摩擦点。
- 重新安装输入小齿轮，将组件安装到环形齿轮（扭矩倍增器外壳）中。重新安装垫片和扣环。

### 9.2 型号 E391、E392、E393、E492、E493、E494、E495

- 卸下将作用板（图 1，第 1 项）固定到扭矩倍增器上的螺钉（图 1，第 2 项），然后从扭矩倍增器上卸下作用板。
- 卸下接合齿轮箱与输出方形驱动头的销，然后卸下旧的输出方形驱动头。
- 将替换方形驱动头插入方形驱动头托架，将替换方形驱动头下部的孔与方形驱动头托架的孔对齐。
- 将销穿过方形驱动头托架的孔，然后穿入替换方形驱动头的孔。
- 用先前卸下的螺钉将作用板重新连接到扭矩倍增器上（图 1，第 2 项）。

## 10.0 应用信息

### 10.1 扭矩倍增器作用

- 采用此处说明的常见做法，即可吸收扭矩倍增器的作用力。
- 首先考虑该用途所需的扭矩工具的大小和类型。需要测量空间限制和最大扭矩。至少应预留 50% 的额外设备能力用于启动扭矩。注：损坏或腐蚀的紧固件需要的启动扭矩要更大些。要满足这些条件，至少要允许超过补偿扭矩 100%。示例：腐蚀的柱螺栓和 4071 N-M (1,500 Ft-Lbs) 补偿扭矩。选择一个能力至少为 3990 N-M (3,000 Ft-Lbs) 的工具提供启动扭矩。
- 选择一个可靠的定位点，将变形减至最小。确定作用力的发生位置（抵着法兰或在相邻螺栓上）。注：此点必须承受扭矩工具的作用力。示例：一个 4342 N-M (3,200 Ft-Lbs) 的扭矩倍增器，当作用力靠近其锚柱末端（图 5）时，会产生 28474 牛（6,400 磅）的作用力。通过将作用点向作用板/棒末端移动，将作用力减少到 10678 牛（2,400 磅）。保持作用点与扭矩输出的旋转方向正切，以防止作用力增加（图 6 和 7）。
- 通过减少弯矩，保持输出扭矩旋转完整。弯矩会降低扭矩效率，提高工具和套筒上的压力。应尽可能缩短工具输出和紧固件之间的距离（图 6）。
- 通过尽可能地去掉作用锚上的扭矩作用，延长工具的使用寿命、提高工作环境的安全性（图 5）。

### 10.2 回转角量角器

某些扭矩倍增器包括一个“回转角量角器”。操作员可以利用它准确测量紧固件的旋转角度。拧紧紧固件的扭矩/回转角方法需要一个预扭矩值，并且需要紧固件额外旋转特定角度（取决于具体应用）。如果需要用到回转角扭矩，原始设备制造商的工程部会提供此数据。

L2677 Rev. C 05/19

本製品の修理部品表は、エナパックのウェブサイト、www.enerpac.com、最寄りの正規エナパックサービスセンターまたはエナパック営業所で入手することができます。

#### 1.0 納品時の重要指示

全ての部品に運送中の損傷がないか目視で確かめてください。運送中の損傷は保証されません。運送中の損傷が見つかった場合、すぐに運送業者に連絡してください。運送中に生じた損傷については、運送業者が修理費や交換費を全て負担します。

#### 安全第一

#### 2.0 安全事項



指示、警告、注意は必ずよくお読みください。安全注意事項に従って、システム操作中に人身事故や器物破損が起こらないようにしてください。エナパックは、不安全な製品の使用、保守の不足、製品及び/又はシステムの不正な操作から生じる損傷や怪我には責任を負いません。安全注意事項及び操作に関して疑問点があれば、エナパックまでお問い合わせください。高圧油圧の安全に関する訓練を受けたことがない場合、無料のエナパックハイドロリック安全コースについて、担当の販売店又はサービスセンターにお問い合わせください。

以下の注意及び警告に従わない場合、装置破損や人身事故の原因となる恐れがあります。

**注意**は、装置やその他器物の破損を防止するための、適正な操作や保守手順を示す場合に使われます。

**警告**は、人身事故を予防するために適正な手順や心得が必要な潜在的な危険性を示します。

**危険**は、重傷や死亡事故の原因となる恐れがある禁止行為又は必須行為を示します。



**警告:** マルチプライヤーを解放する際には、巻き戻りが起きる可能性があるため、トルクレンチまたはインプットハンドルをしっかりと握ってください。



**警告:** 意図せずにトルクが緩む事故を防止するため、トルクマルチプライヤーを手動で操作するときには、必ず中立位置セットスクリュー (図3の品目2) の上面をハウジング面と同じ高さに合わせてください。セレクターポール (図3、品目3) は、時計方向と反時計方向のいずれにも自由に切り替えられなければなりません。設定を間違えると、人員の負傷につながるおそれがあります。



**警告:** トルクマルチプライヤーの反力バーまたは反力プレート (図1、品目1) は、トルク付加の際には手に持たないでください。通常のマルチプライヤーのたわみにより、手や指が挟まれる可能性があります。



**警告:** 使用前には、毎回手動トルクレンチの精度を確認してください。トルク増幅器はトルクを大幅に上昇させるため、作業対象を損傷する恐れがあります。



**警告:** 使用する前には必ず、反力プレート/バーの保持スクリュー (図1、品目2) が確実に締め付けられていることを確認してください。



**警告:** 使用する前には必ず、出力スクエアドライブ (図1、品目4) に疲労または割れがないか目視点検してください。必要に応じて交換します。



**警告:** 出力スクエアドライブに不具合があると、トルクが急に解放され、トルクマルチプライヤーが締結部品から落下して負傷の原因になる恐れがあります。



**警告:** 出力ドライブエクステンション (反力プレートモデルのみ) を使用する際には、両端型の反力プレートが必要です。両端型反力プレートを使用しないと、トルクマルチプライヤーが片側に移動して、マルチプライヤーまたはソケットが破損する恐れがあります。



**警告:** 出力ドライブエクステンションは、反力バーモデルには使用しないでください。人員の負傷につながるおそれがあります。



**警告:** トルクの反力に十分に耐えられるアンカーポイント (反力支持点) を選択してください。トルクの反力は、出力トルクと同じ値です。



**警告:** 油圧機器を取り扱う際は、適切な保護用具を装着してください。



**警告:** 油圧によって支える荷物はきれいにしておいてください。シリンダを荷揚げのために利用する場合、絶対に荷重保持には使用しないでください。荷物を揚げ降ろした後は、必ず機械的なブロック (固定) を施してください。



**警告:** 荷物の保持には、必ず頑丈なものを使用してください。荷物を支持可能なスチール製又は木製のブロックを慎重に選んでください。どのような荷揚げ又はプレスであっても、油圧シリンダを絶対にシム又はスペーサーとして使用しないでください。



**警告:** 摩耗したり損傷した部品は、直ちにエナパックの純正部品と交換してください。市販の標準部品は、破損して人身事故や器物破損の原因となる場合があります。エナパック製の部品は、高荷重に適合および耐えるように設計製造されています。



### 3.0 使用方法



トルクマルチプライヤーを使用する前に、以下の使用方法の説明を読んで理解してください。

注意:トルクマルチプライヤーに対してインパクトレンチを使用しないでください。ツールを損傷します。

1. 動力駆動のインプットを使用する場合は、中立位置セットスクリュー (図3、品目2) を使って、セクターポールを中立位置にロックしてください。
2. トルクマルチプライヤーを位置決めする際には、出力端に取り付けたソケットの位置取りを調節して、反カプレートが操作対象の締結部品に対して直角になるようにしてください。トルクの反力により、入力と反対方向の回転力が発生します。トルクマルチプライヤーの反力に関する詳細は、セクション10.0のアプリケーション情報を参照してください。
3. 使用対象の許容範囲を超えたトルクは適用しないでください。緩めトルクは、入力トルクより大きくなる場合があります。ツールは、緩めトルクの50%増しのトルクにまで耐えられるようにしてください。損傷したり錆びたりしている締結部品は、より大きな緩めトルクが必要となる場合があります。
4. 入力トルクは、トルクレンチを使用して管理してください。トルクレンチを使わずにトルクマルチプライヤーを使用する場合は、出力トルクが入力トルクより大幅に大きくなることを念頭に置いて作業してください。
5. トルクマルチプライヤーは、耐用寿命が延びるように気を付けて使用してください。トルクマルチプライヤーの出力部と締結部品との連結時の合計の長さ (図6) は、できる限り短くしてください。トルクマルチプライヤーと反作用点との距離 (図5) は、できる限り長くしてください。
6. 保証条件を遵守し、Enerpacの正規スクエアドライブと交換部品のみを使用してください。

#### 4.0 仕様表を参照

モデル番号		E290PLUS	E291	E391	E392	E393
出力、Nm (ft-lb)		1.020 (750)	1.358 (1,000)	1.627 (1,200)	2.983 (2,200)	4.340 (3,200)
入力、Nm (ft-lb)		339 (250)	451 (333)	271 (200)	220 (162)	234 (173)
トルク比		3:1	3:1	6:1	13.6:1	18.5:1
精度		最大読み取り範囲の20~100%に対して±5%				
出力ドライブスクエア(オス)のサイズ: mm (inch)		19 (.75)	19 (.75)	19 (.75)	25.4 (1)	25.4 (1)
入力ドライブスクエア(メス)のサイズ: mm (inch)		13 (.5)	13 (.5)	13 (.5)	13 (.5)	13 (.5)
外形寸法 mm (inch) (図2参照)	長さ <b>A</b>	217 (8.53)	443 (17.06)	497 (19.56)	498 (19.6)	498 (19.6)
	ギアボックス Φ <b>B</b>	71 (2.81)	71 (2.81)	100 (3.94)	103 (4.06)	103 (4.06)
	高さ <b>C</b>	83 (3.25)	83 (3.25)	102 (4.00)	146 (5.75)	165 (6.5)
正味重量 kg (lb.)		1,8 (4)	2,5 (5.5)	4,1 (9.1)	6,9 (15.2)	8,3 (18.3)
遊星ギア段数		1	1	1	2	2
ニードルベアリング		-	-	あり	あり	あり
回転角度保護機能		なし	なし	あり 増分5	あり 増分5	あり 増分5
トルク換算表		なし	なし	あり	あり	あり
共用交換出力ドライブ		なし	なし	あり	あり	あり
モデル番号		E492	E493	E494	E495	
出力、Nm (ft-lb)		2.983 (2,200)	4,339 (3,200)	6,779 (5,000)	10,846 (8,000)	
入力、Nm (ft-lb)		220 (62)	235 (173)	256 (189)	209 (154)	
トルク比		13.6:1	18.5:1	26.5:1	52.1	
精度		最大読み取り範囲の20~100%に対して±5%				
出力ドライブスクエア(オス)のサイズ: mm (inch)		25.4 (1)	25.4 (1)	38 (1.5)	38 (1.5)	
入力ドライブスクエア(メス)のサイズ: mm (inch)		13 (1/2)	13 (1/2)	13 (1/2)	13 (1/2)	
外形寸法 mm (inch) (図2参照)	長さ <b>A</b>	356 (14.0)	356 (14.0)	378 (14.88)	387 (15.2)	
	ギアボックス Φ <b>B</b>	124 (4.88)	124 (4.88)	143 (5.63)	148 (5.81)	
	高さ <b>C</b>	140 (5.5)	163 (6.41)	222 (8.75)	273 (10.75)	
正味重量 lb.(kg)		7,8 (17.2)	8,9 (19.5)	15,4 (34)	22,8 (50.3)	
遊星ギア段数		2	2	2	3	
ニードルベアリング		あり	あり	あり	あり	
回転角度保護機能		なし	なし	なし	なし	
トルク換算表		あり	あり	あり	あり	
共用交換出力ドライブ		あり	あり	あり	あり	

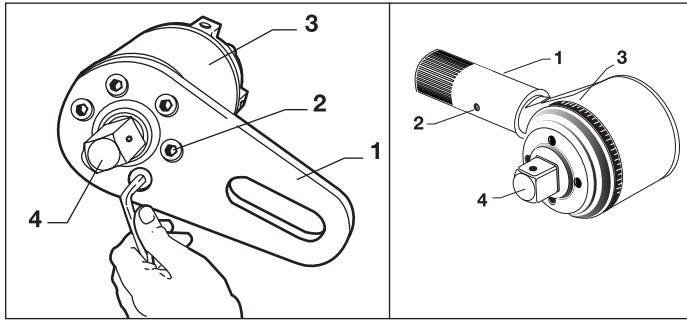


図1 - 反力プレートの交換

1. 反力プレート/反力バー
2. 六角穴付きキャップスクリュー
3. トルクマルチプライヤー
4. せん断防止出力スクエアドライブ

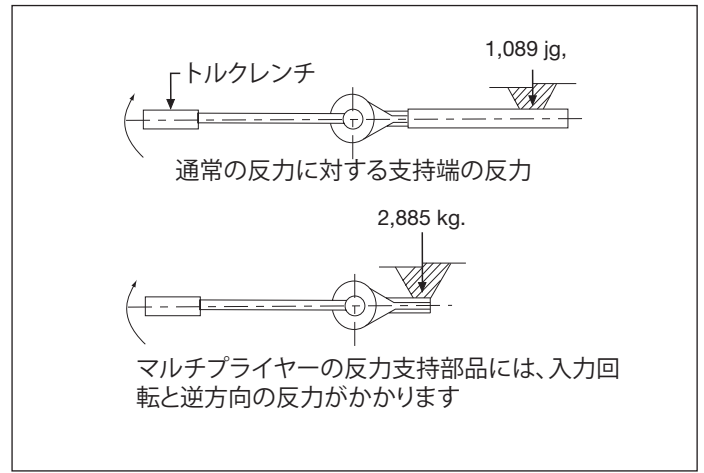


図5 - マルチプライヤーに近いほど反力は大きい

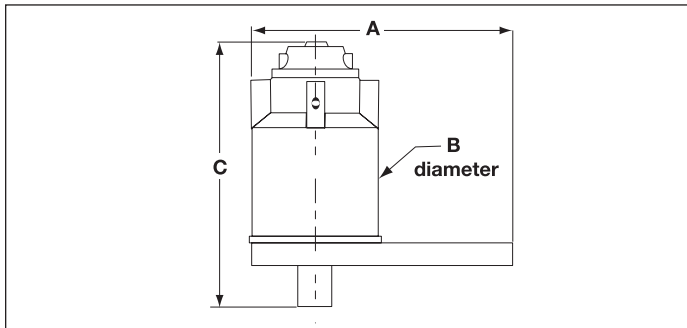


図2 - トルクマルチプライヤー寸法

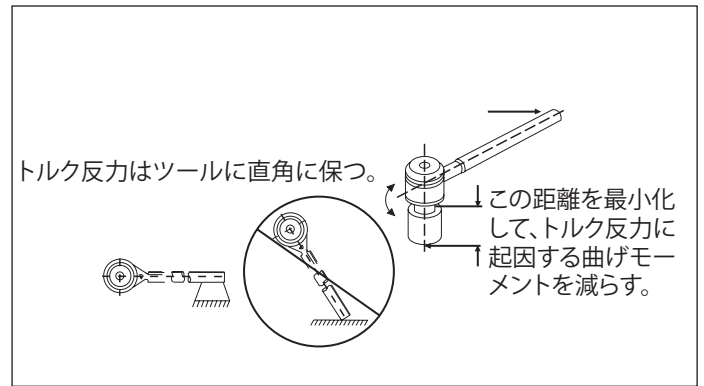


図6 - トルクマルチプライヤーの反力による曲げモーメントの最小化

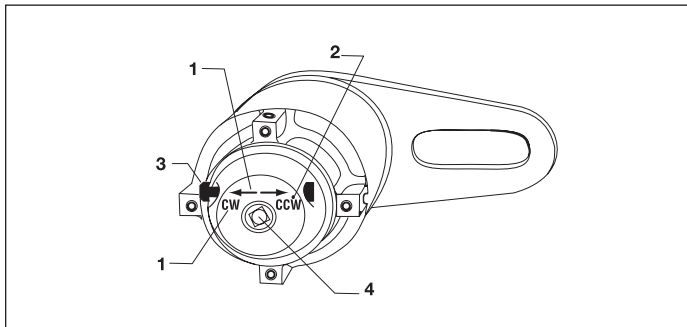


図3 - 入力端の詳細 (時計方向回転の場合)

1. 回転方向インジケータ
2. 中立位置セットスクリュー
3. セレクターボール
4. 1/2インチ入カスクエアドライブ (メス)

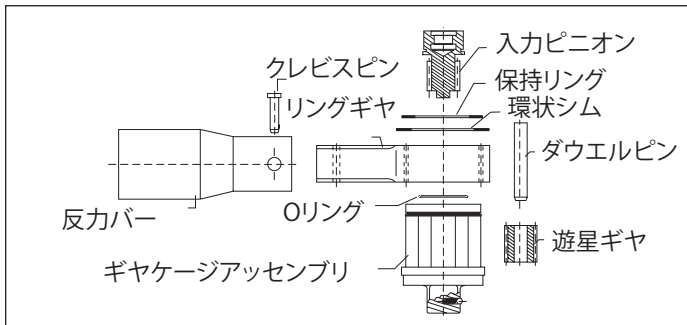


図4

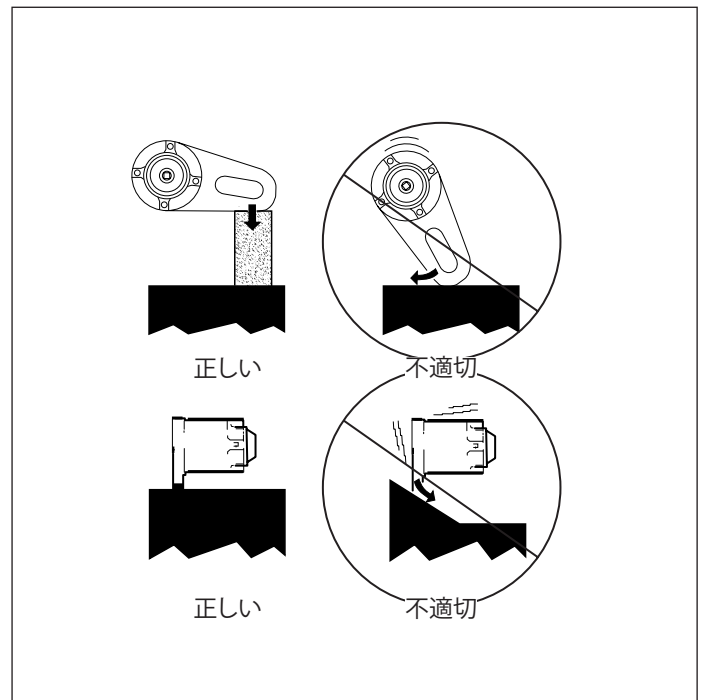


図7 - 反力支持部は、反力作用点に対して直角に配置する

## 5.0 説明と設計機能

入力と出力の回転方向は同じです。(例:時計方向の入力を使うと、時計方向の出力回転が得られます)。トルクマルチプライヤーは、遊星ギヤの作用を利用して、時計方向または反時計方向の360°連続回転により、締め付け/緩めトルクを発生します。内蔵型の双方向バックラッシュ防止装置は、トルクの巻き上げ解放事故を防止します(この装置はE290+, E291, E391にはありません)。

注意:反力は出力と同じ大きさで、入力/出力とは反対の回転方向に掛かります。

反力支持バーは、位置決めピンまたは六角穴付きキャップスクリュー(モデルによる)によって取り付けられます。反力支持プレートは、六角穴付きキャップスクリューによって取り付けられます。

せん断防止出力スクエアドライブ(図1の品目4)は、最大出力を超えたときに、内部部品を保護します。この過負荷防止機能により、出力が定格最大出力の103~110%に達すると、ドライブ自体が破断します。トルクマルチプライヤーには、交換用ドライブが1個付属しています(E391, E392, E393, E492, E493, E494, E495の場合)。(追加の交換部品はEnerpacの販売代理店から購入してください。)

動力駆動によるトルク操作を行うには、セクターポール(図3、品目3)を中立位置に設定し、中立位置セットスクリュー(図3、品目3)を締め付けてセクターポールをロックしなければなりません。セクターポールは、手動入力の場合に、トルクマルチプライヤーの回転方向を設定するのに使用します。(E290+, E291, E391の各モデルにはありません)。インパクトレンチは、駆動源として使用しないでください。マルチプライヤーの動力伝達系を破損します。

## 6.0 トルクの換算

トルクマルチプライヤーに付属のデータプレートには、各出力トルク値を得るために必要な入力トルクが記載されています。データプレートに記載されていない特定の入力値は、目的の出力トルクをマルチプライヤーのトルク比で割り算して求めます。仕様表を参照してください。

### 7.0 手動操作

1. 注意:反力は出力と同じ大きさで、入力/出力とは反対の回転方向に掛かります。
2. セクターポール(図3、品目3)を押し、目的の回転方向にセットします。回転方向は、ケースの入力側に文字と矢印で刻印されています。たとえば、「CCW」は反時計方向なので、反時計方向に回転する場合は、CCWと刻印された矢印の方向にセクターポールを押し込みます。時計方向の場合は、CWの方向に押し込みます。(E290+, E291, E391の各モデルにはありません)。
3. 適切なサイズのスクエアドライブソケット(メス)をトルクマルチプライヤーの出力スクエアドライブ(図1、品目4)に取り付けます。操作の対象とする締結部品に対して、ソケットとトルクマルチプライヤーを位置決めします。
4. 反力プレートモデルの場合:適切なサイズのソケットをスレーブスクエアドライブに合わせ、隣接する締結部品に取り付けます。反力バーモデルの場合:反力バーを適切な物体にしっかりとあてがいます。注意:締結部品にソケットを適切に位置決めしたときに、反力バーはトルクを掛ける締結部品に対して直角にならなければなりません(図7)。トルクマルチプライヤーの反力に関する詳細は、セクション10.0のアプリケーション情報を参照してください。
5. トルクレンチを使用して締め付ける操作:適切な必要入力トルクは、ツール上のトルクデータプレートを参照するか、セクション4.0の仕様表を参照して決定してください。出力トルクの精度が必要な場合は、トルクマルチプライヤーと高精度のトルクレンチを連結する必要があります。目的の入力トルクが得られるまで、トルクレンチにトルクを付加します(図5)。

警告:過大なトルクや疲労によって出力用スクエアドライブに不具合が生じると、トルクが急に解放され、トルクマルチプライヤーが締結部品から落下して負傷の原因になる恐れがあります。

### 6. トルクマルチプライヤーを締結部品から外す方法:

バックラッシュ防止モデルの場合:トルクレンチを使用して、内部バックラッシュ防止装置を解放するのに十分な入力トルクを与えます。入力トルクを維持したまま、セクターポール(図3、品目3)を反対側(例:CWだった場合にはCCW)に押し入れます。入力トルクを徐々に減らします。(E290+, E291, E391の各モデルにはありません)。

標準モデルの場合:目的の値のトルクを掛けた後で、ゆっくりと入力トルクを減らし、最後に対象からマルチプライヤーを外します(E290+, E291, E391モデルの場合)。

### 7. トルクレンチを使って緩める操作:セクターポールの設定が逆になるだけで、その他は締め付けの場合と同様に操作します。

## 8.0 空気圧の使用

認定された衝撃性でない駆動源を使用します。空気圧を使用できるモデルは、E391, E392, E393, E492, E493, E494, E495だけです。セクターポールを中立位置でロックします。中立位置は「CW」と「CCW」の中間の位置で、セットスクリュー(図3、品目2)を締め付けることによってロックします。

注意:セクターポールは、中立位置に正しくセットしてセットスクリューを締め付けると、いずれの方向にも動きません。

## 9.0 スクエアドライブアセンブリーの交換

### 9.1 モデルE290PLUS, E291

1. 保持リングと環状シム(図4)をトルクマルチプライヤーのハウジングの入力側から取り外します。
2. ギヤケーシングアセンブリーをリングギヤ(トルクマルチプライヤーハウジング)から取り外します。
3. 入力ピニオンをギヤケーシングアセンブリーから引っ張りながらねじって取り外します。アーバープレスを使ってダウエルピンを遊星ギヤから取り外します(図4)。
4. ギヤケーシングアセンブリーをEnerpac純正交換部品に交換します。
5. アーバープレスを使って、遊星ギヤをケーシングアセンブリー内に戻します。
6. ハイグレードの二硫化モリブデン入りグリースを、摩擦の発生するすべての部分に塗布します。
7. 入力ピニオンを元に戻し、アセンブリーをリングギヤ(トルクマルチプライヤーハウジング)に組み付けます。シムと保持リングを元に戻します。

### 9.2 モデルE391, E392, E393, E492, E493, E494, E495

1. 反力プレート(図1、品目1)をトルクマルチプライヤーに取り付けている3本のネジ(図1、品目2)を外し、反力プレートをトルクマルチプライヤーから外します。
2. ギヤケーシングを出力スクエアドライブに組み付けているピンを外し、古いスクエアドライブを取り外します。
3. 新しいスクエアドライブアセンブリーをスクエアドライブキャリアーに組み入れ、新しいスクエアドライブの下部にある穴をスクエアドライブキャリアーの穴と合わせます。
4. スクエアドライブキャリアーと新しいスクエアドライブの穴にピンを挿入します。
5. 先に取り外したネジ(図1、品目2)を使って、反力プレートをトルクマルチプライヤーに再び取り付けます。

## 10.0 アプリケーション情報

### 10.1 トルクマルチプライヤーの反力

1. トルクマルチプライヤーの反力は、以下に記載する標準的な方法によって吸収できます。
2. まず、用途に応じたトルクツールのサイズと種類を検討します。必要な最大トルクとともに、スペースの制限があるかを調べます。ツールは、最低でも緩めトルクの1.5倍まで耐えられるものを選択してください。注意：損傷したり錆びたりしている締結部品は、緩める際により大きな初期トルクが必要となる場合があります。このような場合には、締め付けトルクの2倍以上のトルク能力を確保してください。たとえば、締め付けトルクが1,500 ft-lbsのスタッドが錆びている場合には、少なくとも3,000 ft-lbsの緩めトルクに対応できるツールを選択します。
3. たわみを最小限に抑えるため、しっかりした反力支持点を選びます。反力をどの点で支持するのかを決定します（例：フランジや、場合によっては隣接するボルトなど）。注意：この支持点は、トルク締め使用するツールからの反力に耐えられなければなりません。たとえば、3,200 ft-lbsのトルクマルチプライヤーを使用する場合、支持点が回転中心に近い（図5）と、反力は6,400 lbsになります。これに対して、支持点を反力プレート／バーの先端に移動すると、反力は2,400 lbsとなります。反力支持点は、反力が増加しないようにするため、トルク出力の回転円に対して接線方向にします（図6、図7）。
4. 出力トルクの回転は、曲げモーメントを減少させることによって、純粋な回転を維持してください。曲げモーメントはトルクを効率的に減少させ、ツールとソケットの応力を増加させます。ツールの出力位置と締結部品との距離は、できる限り短くします（図6）。
5. ルクの反力をできる限り遠くの支持点で受けるようにすることで、ツールの寿命を延ばし、作業環境の安全性を高めることができます（図5）。

### 10.2 回転角度測定機能

一部のトルクマルチメーターには、回転角度測定機能が付いています。この機能を使うと、締結部品を実際に回転させた角度値を正確に測定することができます。トルクと回転角度を使った締結部品の締め付け方法では、用途に応じて、締結部品の予備締めの際のトルク値と、追加の回転角度を決める必要があります。回転角度を使った締め付け方法が適用される場合、これらの値は、対象となる装置の技術部門から入手します。

L2677 Wer. C 05/19

Karty części zamiennych do tego produktu można znaleźć na stronie internetowej firmy Enerpac [www.enerpac.com](http://www.enerpac.com) oraz w najbliższym autoryzowanym centrum serwisowym lub biurze sprzedaży firmy Enerpac.

#### 1.0 WAŻNE INFORMACJE DOTYCZĄCE ODBIORU

Należy wizualnie sprawdzić wszystkie komponenty pod kątem uszkodzeń powstałych w czasie transportu. Uszkodzenia powstałe podczas transportu nie są objęte gwarancją. W przypadku stwierdzenia uszkodzeń powstałych w czasie transportu należy natychmiast powiadomić przewoźnika. Przewoźnik ponosi odpowiedzialność za wszystkie koszty naprawy i wymiany z tytułu szkód transportowych.

#### BEZPIECZEŃSTWO PRZEDE WSZYSTKIM

#### 2.0 ZASADY BEZPIECZEŃSTWA



Należy uważnie przeczytać wszystkie instrukcje, ostrzeżenia i przestrogi. Należy przestrzegać wszystkich zasad bezpieczeństwa, aby uniknąć obrażeń ciała oraz szkód rzeczowych podczas pracy. Firma Enerpac nie ponosi odpowiedzialności za obrażenia ani szkody wynikające z użytkowania produktu niezgodnie z zasadami bezpieczeństwa, braku konserwacji oraz nieprawidłowej obsługi produktu i/lub układu. W przypadku wątpliwości dotyczących zasad bezpieczeństwa i procedur obsługi należy skontaktować się z firmą Enerpac. Jeżeli użytkownik nie odbył szkolenia z zasad bezpieczeństwa obowiązujących podczas pracy z wysokociśnieniowymi narzędziami hydraulicznymi, należy skonsultować się z dystrybutorem lub centrum serwisowym, aby odbyć bezpłatny kurs bezpieczeństwa oferowany przez firmę Enerpac.

Niestosowanie się do wymienionych poniżej uwag i ostrzeżeń może doprowadzić do uszkodzenia urządzenia oraz obrażeń ciała.

**PRZESTROGA** wskazuje prawidłowe procedury i praktyki obsługi lub konserwacji, pozwalające zapobiec uszkodzeniu lub zniszczeniu sprzętu bądź innego mienia.

**OSTRZEŻENIE** oznacza potencjalnie niebezpieczną sytuację, która wymaga zastosowania odpowiednich procedur i praktyk pozwalających uniknąć obrażeń ciała.

**NIEBEZPIECZEŃSTWO** używane jest tylko w przypadku, gdy dana czynność lub zaniechanie działania może skutkować poważnymi obrażeniami ciała, a nawet śmiercią.



**OSTRZEŻENIE:** Podczas zwalniania wzmacniacza należy mocno trzymać w rękę klucz dynamometryczny lub uchwyty wejściowy ze względu na szarpanie (odbicie).



**OSTRZEŻENIE:** Nie dopuszczać do przypadkowego zwolnienia momentu; śrubę ustalającą pozycję neutralnej (rys. 3, element 2) należy ustawić tak, by zrównała się z górną częścią obudowy przy każdej RĘCZNEJ obsłudze wzmacniacza momentu obrotowego. Zapadka wybieraka (rys. 3, element 3) musi także swobodnie poruszać się w pozycjach CW i CCW. Nieprawidłowe ustawienie może doprowadzić do obrażeń ciała.



**OSTRZEŻENIE:** Nie należy trzymać za pręt reakcyjny lub płytkę reakcyjną wzmacniacza momentu (rys. 1, element 1) podczas przykładania momentu. Typowe odchylenie wzmacniacza może powodować zagrożenie zaciśnięciem.



**OSTRZEŻENIE:** Przed KAŻDYM użyciem należy sprawdzić dokładność klucza dynamometrycznego. Moment wyjściowy wzmacniacza momentu jest wielokrotnie większy. Niedokładny klucz dynamometryczny może spowodować uszkodzenie wzmacniacza momentu lub łącznika.



**OSTRZEŻENIE:** Przed KAŻDYM użyciem należy sprawdzić, czy śruby mocujące płytkę/pręt reakcyjny są prawidłowo dokręcone (rys. 1, element 2).



**OSTRZEŻENIE:** Przed KAŻDYM użyciem należy sprawdzić kwadratowy trzpień napędowy (rys. 1, element 4) pod kątem widocznych oznak zmęczenia materiału lub pęknięcia. Wymienić w razie potrzeby.



**OSTRZEŻENIE:** Awaria kwadratowego trzpienia napędowego może spowodować gwałtowne zwolnienie momentu; wzmacniacz momentu może spaść z łącznika i doprowadzić do obrażeń ciała.



**OSTRZEŻENIE:** Podczas stosowania przedłużenia do trzpienia napędowego (tylko w modelach z płytką reakcyjną) wymagana jest płytka reakcyjna dwustronna. Niezastosowanie dwustronnej płytki reakcyjnej może spowodować wymuszone przesuwanie boczne wzmacniacza momentu na łączniku, doprowadzając do złamania wzmacniacza i/lub nasadki.



**OSTRZEŻENIE:** Nie używać przedłużeń do trzpienia napędowego w modelach z prętem reakcyjnym. Może to doprowadzić do obrażeń ciała.



**OSTRZEŻENIE:** Należy wybrać odpowiedni punkt mocowania, zdolny wytrzymać siły reakcji momentu obrotowego. Moment reakcyjny jest równy WYJŚCIOWEMU momentowi obrotowemu.



**OSTRZEŻENIE:** Podczas obsługi urządzeń hydraulicznych należy stosować odpowiednie środki ochrony indywidualnej.



**OSTRZEŻENIE:** Należy zachowywać bezpieczną odległość od ładunków podtrzymywanych przez urządzenia hydrauliczne. Jeśli cylinder używany jest jako podnośnik ładunku, nigdy nie należy wykorzystywać go jako urządzenia podtrzymującego ładunek. Po podniesieniu lub opuszczeniu ładunku należy go zawsze unieruchomić mechanicznie.



**OSTRZEŻENIE: DO PODTRZYMYWANIA ŁADUNKÓW NALEŻY STOSOWAĆ TYLKO SZTYWNE ELEMENTY.**

Należy starannie dobrać bloki ze stali lub drewna, aby były zdolne do podtrzymania ładunku. Nigdy nie należy używać cylindra hydraulicznego jako podkładki ustalającej lub dystansowej w jakimkolwiek zastosowaniu podnoszącym bądź dociskającym.



**OSTRZEŻENIE:** Zużyte i uszkodzone części należy niezwłocznie wymieniać na oryginalne części firmy ENERPAC. Części o standardowej jakości ulegną uszkodzeniu, powodując obrażenia ciała i szkody rzeczowe. Części firmy ENERPAC są odpowiednio dopasowane i wytrzymują duże obciążenia.

### 3.0 INSTRUKCJE



Przed przystąpieniem do obsługi wzmacniacza momentu obrotowego należy przeczytać ze zrozumieniem instrukcję obsługi.

**UWAGA: NIE UŻYWAĆ KLUCZA UDAROWEGO DO WZMACNIACZA MOMENTU OBROTOWEGO. SPOWODUJE TO USZKODZENIE NARZĘDZIA.**

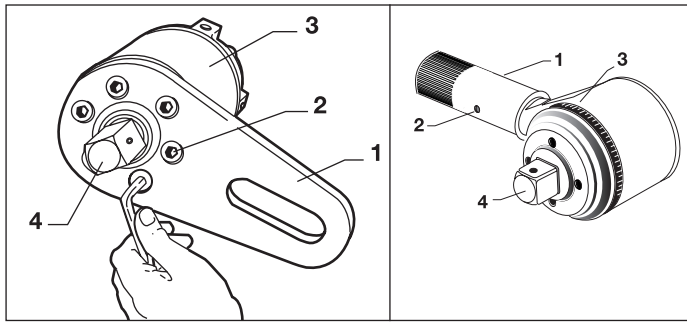
1. Podczas używania napędu ZASILAJĄCEGO zablokuj zapadkę wybieraka w pozycji neutralnej za pomocą śruby ustalającej pozycji neutralnej (rys. 3, element 2).
2. Podczas ustawiania wzmacniacza momentu obrotowego nasadkę zamocowaną do trzpienia napędowego należy ustawić tak, aby płytka reakcyjna znajdowała się pod odpowiednim kątem w stosunku do łącznika. Oddziaływanie momentu obrotowego powoduje wytworzenie siły obrotowej o **kierunku przeciwnym** do kierunku przyłożenia siły wejściowej. Patrz punkt 10.0 Informacje o zastosowaniu, aby uzyskać dodatkowe informacje o działaniu wzmacniacza momentu obrotowego.
3. **NIE NALEŻY** przykładać większego momentu obrotowego, niż łącznik może wytrzymać. Moment rozruchowy może być większy od momentu wejściowego. Należy uwzględnić narzędzie z momentem obrotowym większym od znamionowego o co najmniej dodatkowe 50% na uzyskanie momentu rozruchowego. Uszkodzone i skorodowane łączniki mogą wymagać nawet większego momentu rozruchowego.
4. Monitoruj moment wejściowy za pomocą klucza dynamometrycznego. Jeżeli wzmacniacz momentu obrotowego jest używany bez klucza dynamometrycznego, należy pamiętać, że moment wyjściowy jest znacznie większy od momentu wejściowego.
5. Wydłuż okres eksploatacji wzmacniacza momentu obrotowego. Utrzymuj jak najmniejszą odległość między trzpieniem napędowym wzmacniacza momentu obrotowego (rys. 6) a łącznikiem, przy którym wykonywane są prace. Utrzymuj jak największą odległość pomiędzy wzmacniaczem momentu obrotowego a punktem reakcyjnym (rys. 5).
6. Zadbaj o zachowanie gwarancji, używaj wyłącznie zatwierdzonych przez firmę Enerpac kwadratowych trzpieni napędowych i części zamiennych.

#### 4.0 TABELE SPECYFIKACJI

Numery modeli		E290PLUS	E291	E391	E392	E393
Znamionowy moment wyjściowy, Nm (Ft-Lb)		1020 (750)	1358 (1000)	1627 (1200)	2983 (2200)	4340 (3200)
Znamionowy moment wejściowy, Nm (Ft-Lb)		339 (250)	451 (333)	271 (200)	220 (162)	234 (173)
Stosunek momentów obrotowych		3:1	3:1	6:1	13,6:1	18,5:1
Dokładność		±5% wskazanego odczytu w przedziale od 20% do 100% wartości znamionowej w pełnej skali				
Rozmiar kwadratowego trzpienia napędowego – mm (cale)		19 (0,75)	19 (0,75)	19 (0,75)	25,4 (1)	25,4 (1)
Rozmiar kwadratowego gniazda napędowego – mm (cale)		13 (0,5)	13 (0,5)	13 (0,5)	13 (0,5)	13 (0,5)
Wymiary całkowite mm (cale) (patrz rys. 2)	Długość <b>A</b>	217 (8,53)	443 (17,06)	497 (19,56)	498 (19,6)	498 (19,6)
	Ø przekładni <b>B</b>	71 (2,81)	71 (2,81)	100 (3,94)	103 (4,06)	103 (4,06)
	Wysokość <b>C</b>	83 (3,25)	83 (3,25)	102 (4,00)	146 (5,75)	165 (6,5)
Masa netto kg (funty)		1,8 (4)	2,5 (5,5)	4,1 (9,1)	6,9 (15,2)	8,3 (18,3)
Stopnie przekładni planetarnej		Jeden	Jeden	Jeden	Dwa	Dwa
Łożyska igiełkowe		–	–	Tak	Tak	Tak
Kątomierz		Nie	Nie	Tak co 5°	Tak co 5°	Tak co 5°
Tabela przeliczeniowa momentu obrotowego		Nie	Nie	Tak	Tak	Tak
Wymienny trzpień napędowy z kołkiem ścinanym		Nie	Nie	Tak	Tak	Tak

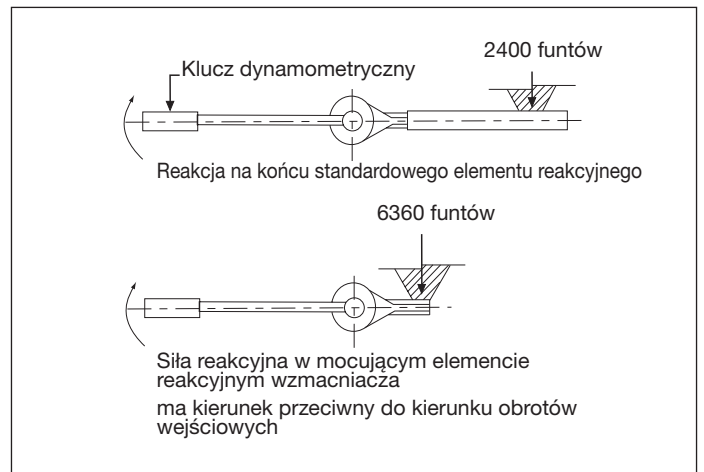
Numery modeli		E492	E493	E494	E495
Znamionowy moment wyjściowy, Ft-Lb (Nm)		2983 (2200)	4339 (3200)	6779 (5000)	10 846 (8000)
Znamionowy moment wejściowy, Ft-Lb (Nm)		220 (62)	235 (173)	256 (189)	209 (154)
Stosunek momentów obrotowych		13,6:1	18,5:1	26,5:1	52,1
Dokładność		±5% wskazanego odczytu w przedziale od 20% do 100% wartości znamionowej w pełnej skali			
Rozmiar kwadratowego trzpienia napędowego – mm (cale)		25,4 (1)	25,4 (1)	38 (1,5)	38 (1,5)
Rozmiar kwadratowego gniazda napędowego – mm (cale)		13 (1/2)	13 (1/2)	13 (1/2)	13 (1/2)
Wymiary całkowite mm (cale) (patrz rys. 2)	Długość <b>A</b>	356 (14,0)	356 (14,0)	378 (14,88)	387 (15,2)
	Ø przekładni <b>B</b>	124 (4,88)	124 (4,88)	143 (5,63)	148 (5,81)
	Wysokość <b>C</b>	140 (5,5)	163 (6,41)	222 (8,75)	273 (10,75)
Masa netto kg (funty)		7,8 (17,2)	8,9 (19,5)	15,4 (34)	22,8 (50,3)
Stopnie przekładni planetarnej		Dwa	Dwa	Dwa	Trzy
Łożyska igiełkowe		Tak	Tak	Tak	Tak
Kątomierz		Nie	Nie	Nie	Nie
Tabela przeliczeniowa momentu obrotowego		Tak	Tak	Tak	Tak
Wymienny trzpień napędowy z kołkiem ścinanym		Tak	Tak	Tak	Tak



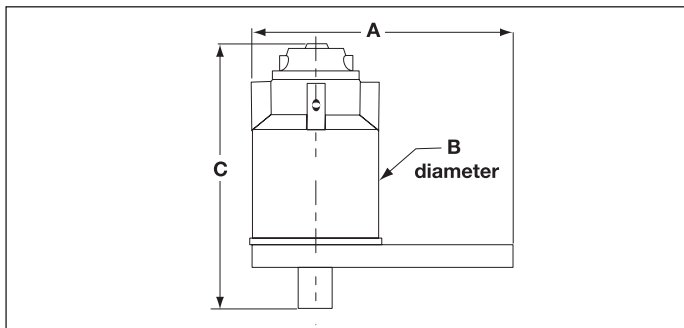


**Rysunek 1, Wymiana płytki reakcyjnej**

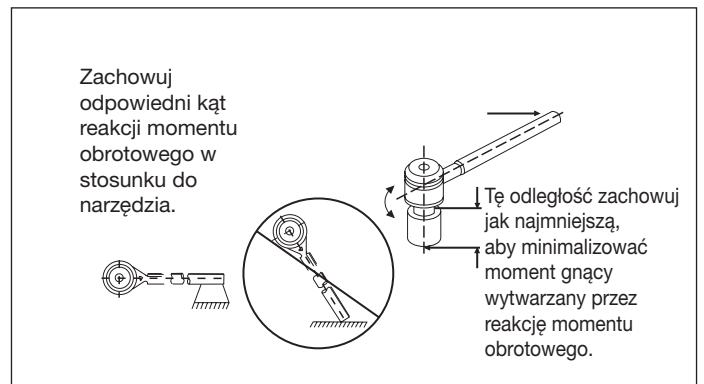
1. Płytki reakcyjna / pręt reakcyjny
2. Wkręty z łbem walcowym z gniazdem
3. Wzmocniacz momentu obrotowego
4. Kwadratowy trzpień napędowy zabezpieczony kołkiem ścinanym



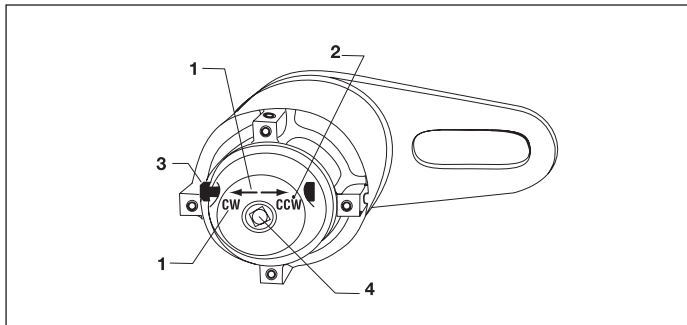
**Rys. 5, Siły oddziaływania ulegają zwiększeniu im bliżej wzmocniacza**



**Rys. 2, Wymiary wzmocniacza momentu obrotowego**

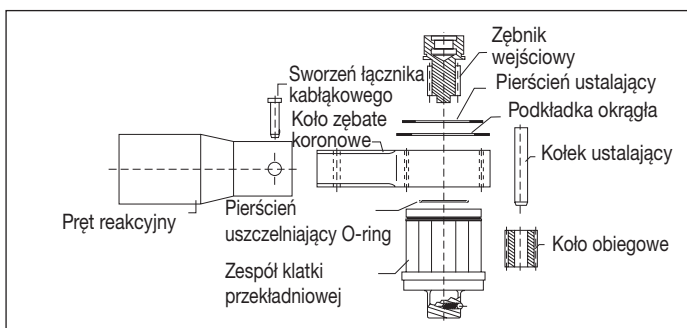


**Rys. 6, Minimalizowanie momentów gnących wytworzonych wskutek działania wzmocniacza momentu obrotowego**

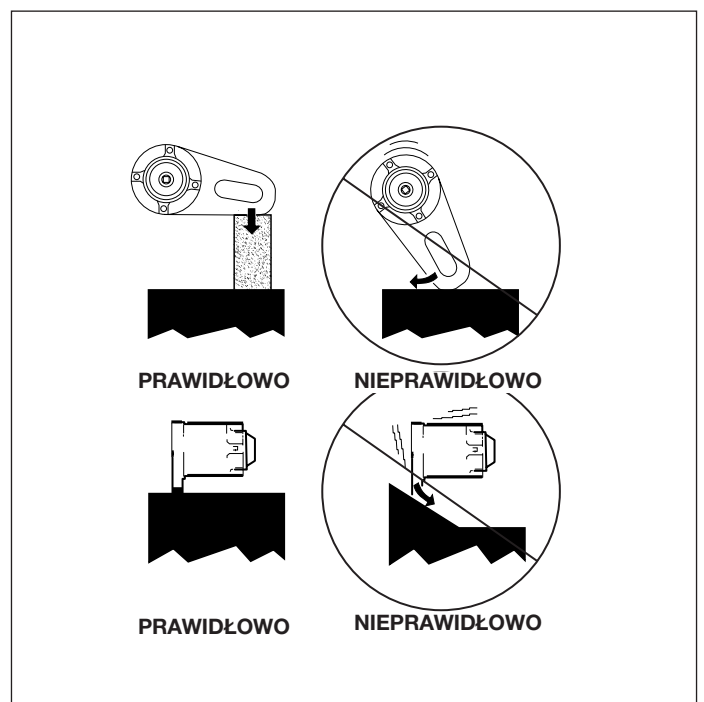


**Rys. 3, Widok strony wejściowej (pokazane ustawienie z obrotem CW, czyli zgodnie z kierunkiem ruchu wskazówek zegara)**

1. Wskaźniki kierunku obrotów
2. Śruba ustalająca pozycji neutralnej
3. Zapadka wybieraka
4. Kwadratowe gniazdo napędowe 1/2 cala



**Rys. 4**



**Rys. 7, Mocujący element reakcyjny należy utrzymywać w położeniu prostopadłym do punktu reakcyjnego.**

## 5.0 OPIS I CECHY KONSTRUKCJI

Kierunek obrotów wejściowych i wyjściowych jest taki sam. (PRZYKŁAD: Obroty wejściowe w kierunku zgodnym z ruchem wskazówek zegara przekładają się na obroty wyjściowe w tym samym kierunku). Wzmacniacze momentu obrotowego wykorzystują działanie przekładni planetarnej do dokręcania/odkręcania z ciągłymi obrotami w zakresie 360° w kierunku zgodnym z ruchem wskazówek zegara (CW) lub przeciwnym do ruchu wskazówek zegara (CCW). Wewnętrzny, dwukierunkowy mechanizm zabezpieczenia przed luzami chroni przed przypadkowym zwolnieniem momentu obrotowego z odbiciem (nieдоступny w modelach E290+, E291, E391).

**UWAGA:** Siła reakcji jest równa wyjściowej sile oddziaływania i ma kierunek przeciwny do kierunku siły obrotów na wejściu/wyjściu.

Pręty reakcyjne są unieruchomione za pomocą sworznia ustalającego lub wkrętu z łbem walcowym z gniazdem, zależnie od modelu. Płytki reakcyjne mocowane są za pomocą wkrętów z łbem walcowym z gniazdem.

Kwadratowy trzpień napędowy z kołkiem ścinanym (rys. 1 element 4) zabezpiecza elementy wewnętrzne w przypadku przekroczenia maksymalnego znamionowego momentu wyjściowego. Ta funkcja przeciwprzeciążeniowa powoduje pęknięcie trzpienia, w przypadku gdy moment wyjściowy mieści się w przedziale od 103% do 110% wartości znamionowego momentu wyjściowego. Do wzmacniacza momentu obrotowego dołączony jest jeden wymienny trzpień (E391, E392, E393, E492, E493, E494, E495) (dodatkowe części zamienne można zamówić u dystrybutora firmy Enerpac).

Zapadka wybieraka (rys. 3, element 3) musi być ustawiona w pozycji neutralnej, a śrubę ustalającą pozycji neutralnej (rys. 3, element 2) należy dokręcić, aby zablokować zapadkę wybieraka w przypadku pracy z zasilaniem elektrycznym. Służy ona do sterowania kierunkiem obrotów wzmacniacza momentu obrotowego w przypadku zasilania ręcznego (funkcja niedostępna w modelach E290+, E291, E391). Nie używać klucza udarowego do zasilania, gdyż może to spowodować uszkodzenie mechanizmu napędowego zębatego.

## 6.0 PRZELICZANIE MOMENTU OBROTOWEGO

Tabliczka znamionowa przymocowana do wzmacniacza momentu obrotowego zawiera moment wejściowy wymagany do uzyskania wymienionych wartości momentu wyjściowego. Aby obliczyć określoną wartość momentu wyjściowego, której nie ma na tabliczce znamionowej, należy określony moment wyjściowy podzielić przez stosunek momentów obrotowych wzmacniacza. Patrz tabele specyfikacji.

## 7.0 OBSŁUGA RĘCZNA

1. **UWAGA:** Siła reakcji jest równa wyjściowej sile oddziaływania i ma kierunek przeciwny do kierunku obrotów wejściowych/wyjściowych.
2. Ustaw wymagany kierunek obrotów poprzez przestawienie zapadki wybieraka (rys. 3, element 3) w kierunku wskazanym przez litery i strzałki zaznaczone na obudowie po stronie wejściowej (rys. 3, element 1). PRZYKŁAD: „CCW” oznacza obrót w kierunku przeciwnym do kierunku ruchu wskazówek zegara, dociśnij zapadkę do samego końca w kierunku wskazanym przez strzałkę „CCW”. Aby uzyskać obroty w kierunku zgodnym z ruchem wskazówek zegara, dociśnij zapadkę w przeciwnym kierunku, oznaczonym „CW” (funkcja niedostępna w modelach E290+, E291, E391).
3. Zamocuj nasadkę kwadratową w odpowiednim rozmiarze na kwadratowym trzpieniu napędowym wzmacniacza momentu obrotowego (rys. 1, element 4). Umieść nasadkę i wzmacniacz momentu obrotowego na łączniku, który ma zostać dokręcony.

4. **Modele z płytką reakcyjną:** Umieść odpowiedniej wielkości nasadkę na zależnym trzpieniu kwadratowym i zamocuj na przyległym łączniku.

**Modele z prętem reakcyjnym:** Dociśnij pręt reakcyjny, aby ściśle przylegał do odpowiedniego elementu. **UWAGA:** Gdy nasadka została prawidłowo zamocowana na łączniku, pręt reakcyjny powinien być ustawiony pod odpowiednim kątem w stosunku do łącznika, do którego przykładany jest moment obrotowy (rys. 7). Patrz punkt 10.0 Informacje o zastosowaniu, aby uzyskać dodatkowe informacje o działaniu wzmacniacza momentu obrotowego.

5. **Dokręcanie za pomocą klucza dynamometrycznego:** Wyznacz prawidłowy wymagany moment wejściowy (patrz tabliczka znamionowa z parametrem momentu na narzędziu) lub zapoznaj się z tabelami specyfikacji w punkcie 4.0. Dokładność momentu wyjściowego wymaga dokładnego klucza dynamometrycznego połączonego szeregowo ze wzmacniaczem momentu obrotowego. Za pomocą klucza dynamometrycznego przyłóż moment obrotowy aż do uzyskania wymaganego momentu wejściowego (rys. 5).



**OSTRZEŻENIE:** Awaria kwadratowego trzpienia napędowego wskutek zbyt wysokiego momentu obrotowego lub zmęczenia materiałowego może spowodować gwałtowne zwolnienie momentu, na skutek czego wzmacniacz momentu może spaść z łącznika i doprowadzić do obrażeń ciała.

6. **Aby zdjąć wzmacniacz momentu z łącznika:**

**Modele z mechanizmem zabezpieczenia przed luzami:** za pomocą klucza dynamometrycznego przyłóż wystarczający moment obrotowy, aby zwolnić wewnętrzny mechanizm zabezpieczający przed luzami; utrzymuj przykładany moment wejściowy i wciśnij zapadkę wybieraka (rys. 3, element 3) do położenia przeciwnego (PRZYKŁAD: Zapadka ustawiona w pozycji „CW” wymaga przestawienia do położenia „CCW”). Powoli zwolnij moment wejściowy (funkcja niedostępna w modelach E290+, E291, E391).

**Modele standardowe:** przyłóż moment obrotowy o wymaganej wielkości równej znamionowej, następnie powoli zwolnij moment wejściowy i zdejmij wzmacniacz z łącznika (modele E290+, E291 lub E391).

7. Odkręcanie za pomocą klucza dynamometrycznego: Wykonaj taką samą procedurę jak przy dokręcaniu, tylko ustaw zapadkę wybieraka w przeciwnym położeniu.

## 8.0 ZASILANIE PNEUMATYCZNE

Użyj zatwierdzonego **bezuwarowego** napędu zasilającego z modelami: (tylko E391, E392, E393, E492, E493, E494 lub E495). **Zablokuj zapadkę wybieraka w pozycji** neutralnej poprzez jej wyśrodkowanie pomiędzy położeniami „CW” i „CCW” i dokręć śrubę ustalającą (rys. 3, element 2).

**UWAGA:** Prawidłowo ustawiona zapadka wybieraka UNIEMOŻLIWI przestawienie jej w żadnym kierunku po dokręceniu śruby ustalającej pozycji neutralnej.

## 9.0 WYMIANA ZESPOŁU TRZPIENIA KWADRATOWEGO

### 9.1 Modele E290PLUS, E291

1. Wymontuj pierścieni ustalający i podkładki okrągłe (rys. 4) z obudowy wzmacniacza momentu obrotowego od strony wejściowej.
2. Wymontuj zespół klatki przekładniowej z koła zębatego koronowego (obudowa wzmacniacza momentu).

3. Wymontuj zębnik wejściowy z zespołu klatki przekładniowej, jednocześnie ciągnąc go i obracając. Za pomocą prasy montażowej do wrzecion wyjmij kołki ustalające z kół obiegowych (rys. 4).
  4. Wymień zespół klatki przekładniowej na oryginalną część zamienną firmy Enerpac.
  5. Zamontuj koła obiegowe w klatce za pomocą prasy montażowej do wrzecion.
  6. Nasmaruj wszystkie punkty tarcia smarem z dwusiarczkiem molibdenu wysokiej klasy.
  7. Z powrotem zamontuj zębnik wejściowy, zamocuj zespół w kole obiegowym (obudowa wzmacniacza momentu obrotowego). Zamontuj z powrotem podkładki i pierścień ustalający.
4. Uważaj, by zachowywać sam moment obrotowy wyjściowy, minimalizując momenty gnące. Momenty gnące zmniejszają skuteczność działania momentu obrotowego i zwiększają naprężenia działające na narzędzie i nasadki. Zachowuj jak najmniejszą odległość między trzpieniem wyjściowym narzędzia a łącznikiem (rys. 6).
  5. Wydłuż okres eksploatacji narzędzia i zwiększ bezpieczeństwo w miejscu pracy poprzez umiejscowienie reakcji momentu obrotowego jak najdalej na mocującym elemencie reakcyjnym (rys. 5).

## 9.2 Modele E391, E392, E393, E492, E493, E494, E495

1. Wykręć śruby (rys. 1, element 2) mocujące płytke reakcyjną (rys. 1, element 1) do wzmacniacza momentu obrotowego, a następnie zdejmij płytke reakcyjną ze wzmacniacza momentu.
2. Wyjmij kołek sprzęgający klatkę przekładniową z kwadratowym trzpieniem napędowym i wyjmij stary kwadratowy trzpień napędowy.
3. Włóż zamienny zespół trzpienia kwadratowego do nośnika trzpienia kwadratowego, wyrównując otwór w dolnej części zamiennego trzpienia kwadratowego z otworem w nośniku trzpienia kwadratowego.
4. Wsuń kołek w otwór w nośniku oraz w otwór w zamiennym trzpieniu kwadratowym.
5. Ponownie zamocuj płytke reakcyjną na wzmacniaczu momentu obrotowego za pomocą śrub wykręconych uprzednio (rys. 1, element 2).

## 10.0 INFORMACJE O ZASTOSOWANIU

### 10.1 Siły reakcyjne wzmacniacza momentu obrotowego

1. Absorbowanie sił reakcyjnych wzmacniacza momentu obrotowego można zrealizować za pomocą powszechnie stosowanych praktyk, opisanych poniżej.
2. Najpierw należy rozważyć rozmiar i typ narzędzia dynamometrycznego wymaganego do danego zadania. Uwzględnij ograniczenia przestrzenne, jak również wielkość wymaganego maksymalnego momentu obrotowego. Uwzględnij narzędzie z momentem obrotowym większym od znamionowego o co najmniej dodatkowe 50% na uzyskanie momentu rozruchowego. UWAGA: Uszkodzone i skorodowane łączniki mogą wymagać nawet większego momentu rozruchowego. W takich warunkach należy uwzględnić dodatkowe co najmniej 100% powyżej wartości momentu skręcającego złącze. Przykład: Skorodowane śruby dwustronne i moment skręcający złącze o wielkości 1500 Ft-Lbs. Wybierz narzędzie o momencie znamionowym wynoszącym co najmniej 3000 Ft-Lbs. w celu możliwości uzyskania momentu rozruchowego.
3. Wybierz solidny punkt mocowania, by zminimalizować odkształcenia. Ustal miejsce, w którym będą oddziaływać siły reakcyjne (np. na kołnierz czy na przyległą śrubę). UWAGA: Punkt ten musi być zdolny wytrzymać działanie sił reakcyjnych narzędzia dynamometrycznego. Przykład: Wzmacniacz o momencie obrotowym 3200 Ft-Lbs. i reakcji zachodzącej na końcu elementu mocującego (rys. 5) wytwarza siłę reakcyjną o wielkości 6400 funtów. Zmniejsz siłę reakcyjną do 2400 funtów poprzez przesunięcie punktu reakcyjnego bliżej końca płytki/pręta reakcyjnego. Punkt reakcyjny powinien być styczny do osi obrotów wyjściowych, aby uniknąć zwiększenia sił reakcyjnych (rys. 6 i 7).

## 10.2 KĄTOMIERZ

Niektóre wzmacniacze momentu obrotowego są wyposażone w kątomierz. Umożliwia on operatorowi dokładne wymierzenie określonej liczby stopni, o ile łącznik ma zostać obrócony. Metoda dokręcania łączników momentem obrotowym/kątem obrotu wymaga wstępnego momentu obrotowego oraz określonego dodatkowego obrotu łącznika zgodnie z projektowanym połączeniem. Dane te zostaną dostarczone przez dział techniczny producenta oryginalnego sprzętu w przypadku możliwości zastosowania metody dokręcania kątem obrotu.

**ENERPAC** 

**TOOLS. SERVICES. SOLUTIONS.**

<http://www.enerpac.com>