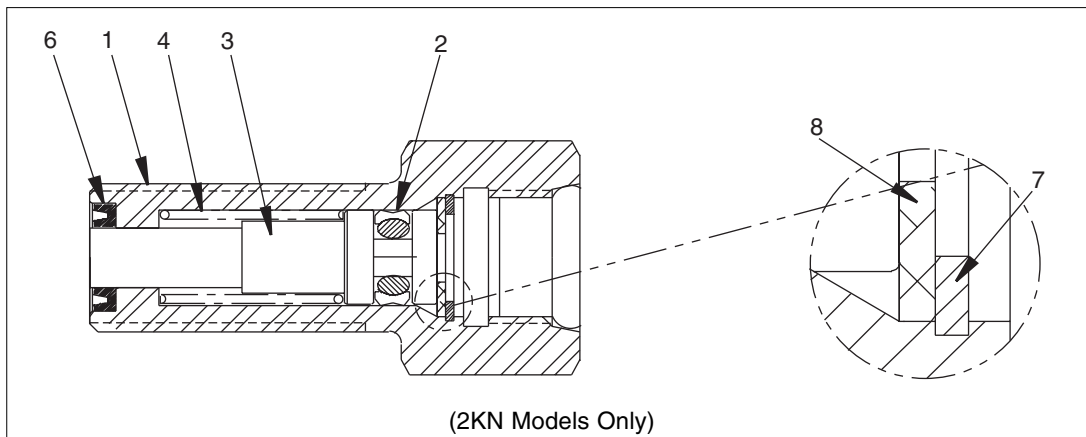


L2576 Rev. A 09/04

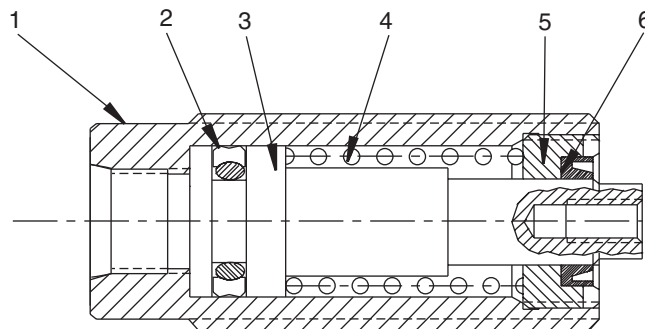
For Date Codes Beginning with the Letter "O" or "A"

To Protect Your Warranty, Use Only ENERPAC Hydraulic Oil.

Enerpac recommends that all kit components be installed to insure optimum performance of the repaired product.



Install stop ring flush with base and stake once lightly after test 90° from notches/holes.



Item	Part Number							Qty	Description
	2 KN	5 KN	9 KN	10 KN	18 KN	27 KN	40 KN		
1	DC4706030	DC4630030	DC4675030	---	---	---	---	1	Base, .28 in. stroke (imperial)
	DC4576030	---	---	---	---	---	---	1	Base, .39 in. stroke (imperial)
	DC4709030	DC4631030	DC4676030	---	DC4733040	---	DC4729030	1	Base, .51 in. stroke (imperial)
	---	---	---	---	---	DC4859030	---	1	Base, .58 in. stroke (imperial)
	---	DC4632030	DC4677030	---	---	---	---	1	Base, .74 in. stroke (imperial)
	---	DC4633030	DC4678030	---	DC4734040	DC4860030	DC4730030	1	Base, 1.40 in. stroke (imperial)
	---	DC4634030	DC4679030	---	DC4735040	---	DC4731030	1	Base, 1.50 in. stroke (imperial)
	---	---	---	---	DC4736040	DC4862030	DC4732030	1	Base, 1.97 in. stroke (imperial)
	DC4710030	DC4714030	---	DC4669030	---	---	---	1	Base, 7 mm stroke (metric)
	DC4578030	---	---	---	---	---	---	1	Base, 10 mm stroke (metric)
	DC4711030	DC4715030	---	DC4670030	DC4738030	---	DC4725030	1	Base, 13 mm stroke (metric)
	---	---	---	---	---	DC4855030	---	1	Base, 15 mm stroke (metric)
	---	DC4716030	---	DC4671030	---	---	---	1	Base, 19 mm stroke (metric)
	---	DC4635030	---	DC4672030	DC4739030	DC4856030	DC4726030	1	Base, 25 mm stroke (metric)
	---	DC4717030	---	DC4673030	DC4740030	---	DC4727030	1	Base, 38 mm stroke (metric)
---	---	---	---	DC4741030	DC4858030	DC4728030	1	Base, 50 mm stroke (metric)	
2	★	★	★	★	★	★	★	1	Seal

★ Starred items are included and available only as part of Repair Kit.

Item	Part Number							Qty	Description
	2 KN	5 KN	9 KN	10 KN	18 KN	27 KN	40 KN		
3	PA2124040	DC4624040	DC4664040	---	---	---	---	1	Plunger, .28 in. stroke (imperial)
	DC4574040	---	---	---	---	---	---	1	Plunger, .39 in. stroke (imperial)
	PA2126040	DC4625040	DC4665040	---	PA2142040	---	PA2204040	1	Plunger, .51 in. stroke (imperial)
	---	---	---	---	---	DC4847040	---	1	Plunger, .58 in. stroke (imperial)
	---	DC4626040	DC4666040	---	---	---	---	1	Plunger, .74 in. stroke (imperial)
	---	DC4627040	DC4667040	---	PA2141040	DC4848040	PA2205040	1	Plunger, 1.00 in. stroke (imperial)
	---	DC4628040	DC4668040	---	DC4743040	---	DC4750040	1	Plunger, 1.50 in. stroke (imperial)
	---	---	---	---	DC4744040	DC4850040	PA2206040	1	Plunger, 1.97 in. stroke (imperial)
	PA2127040	PA2120040	---	DC4659040	---	---	---	1	Plunger, 7 mm stroke (metric)
	DC4572040	---	---	---	---	---	---	1	Plunger, 10 mm stroke (metric)
	PA2128040	PA2121040	---	DC4660040	PA2142040	---	PA2148040	1	Plunger, 13 mm stroke (metric)
	---	---	---	---	---	DC4851040	---	1	Plunger, 15 mm stroke (metric)
	---	PA2122040	---	DC4661040	---	---	---	1	Plunger, 19 mm stroke (metric)
	---	DC4629040	---	DC4662040	PA2143040	DC4851040	PA2149040	1	Plunger, 25 mm stroke (metric)
---	PA2123040	---	DC4663040	DC4746040	---	DC4749040	1	Plunger, 38 mm stroke (metric)	
---	---	---	---	DC4747040	DC4854040	PA2150040	1	Plunger, 50 mm stroke (metric)	
4	CZ549110	CZ565110	PA1770110	CZ690110	---	---	---	1	Spring, 7 mm, .28 in.
	DC4708110	---	---	---	---	---	---	1	Spring, 10 mm, .39 in.
	CZ566110	CZ643110	PA1771110	CZ643110	CZ16110	---	CZ794110	1	Spring, 13 mm, .51 in.
	---	---	---	---	---	CZ781110	---	1	Spring, 15 mm, .58 in.
	---	CZ647110	PA1772110	CZ647110	---	---	---	1	Spring, 19 mm, .74 in.
	---	DC4713110	PA1772110	DC4713110	CZ720110	CZ784110	CZ798110	1	Spring, 25 mm, 1.00 in.
	---	CZ650110	PA1774110	CZ650110	DC4723110	---	CZ801110	1	Spring, 38 mm, 1.50 in.
---	---	---	---	DC4724110	DC4820110	CZ801110	1	Spring, 50 mm, 1.97 in.	
5	---	DC4636044	DC4680044	DC4674044	DC4722044	DC4822044	DC4721044	1	Stop ring
6	★	★	★	★	★	★	★	1	Wiper
7	PA1528044	---	---	---	---	---	---	1	Retaining ring
8	PA1747108	---	---	---	---	---	---	1	Washer
★	CST2K	CST5K	CST9K	CST10K	CST18K	CST27K	CST40K		Repair kit, BUNA-N
★			CST9KV	CST10KV					Repair kit, Viton

★ Starred items are included in and available as part of Repair Kit.

Enerpac Worldwide Locations

Africa

ENERPAC Middle East FZE
P.O. Box 18004
Jebel Ali, Dubai
United Arab Emirates
Tel: +971 (0)4 8872686
Fax: +971 (0)4 8872687

Australia

ENERPAC, Applied Power Australia Ltd.
Block V Unit 3, Regents Park Estate
391 Park Road, Regents Park NSW 2143
(P.O. Box 261) Australia
Tel: +61 297 438 988
Fax: +61 297 438 648

Brazil

Power Packer do Brasil Ltda.
Rua dos Inocentes, 587
04764-050 - Sao Paulo (SP)
Tel: +55 11 5687 2211
Fax: +55 11 5686 5583
Toll Free in Brazil:
Tel: 0800 891 5770
ventasbrasil@enerpac.com

Canada

Actuant Canada Corporation
6615 Ordan Drive, Unit 14-15
Mississauga, Ontario L5T 1X2
Tel: +1 905 564 5749
Fax: +1 905 564 0305
Toll Free:
Tel: +1 800 268 4987
Fax: +1 800 461 2456
Technical Inquiries:
techservices@enerpac.com

China

Actuant China Ltd.
1F, 269 Fute N. Road
Waigaoqiao Free Trade Zone
Pudong New District
Shanghai, 200 131 China
Tel: +86 21 5866 9099
Fax: +86 21 5866 7156

Actuant China Ltd. (Beijing)

709A Xin No. 2
Diyang Building
Dong San Huan North Rd.
Beijing City, 100028 China
Tel: +86 10 845 36166
Fax: +86 10 845 36220

Central and Eastern Europe

ENERPAC B.V.
Storkstraat 25
P.O. Box 269, 3900 AG Veenendaal
The Netherlands
Tel: +31 318 535 936
Fax: +31 318 535 951

France

ENERPAC
Une division de ACTUANT s.a.
B.P. 200
Parc d'Activités
du Moulin de Massy
F-91882 Massy CEDEX France
Tel: +33 1 601 368 68
Fax: +33 1 692 037 50

Germany, Austria, Switzerland, Russia and CIS (excl. Caspian Sea Countries)

ENERPAC Applied Power GmbH
P.O. Box 300113
D-40401 Düsseldorf
Germany
Tel: +49 211 471 490
Fax: +49 211 471 49 28

India

ENERPAC Hydraulics (India) Pvt. Ltd.
Plot No. A/571
MIDC, TTC Industrial Area
Mahape-400 701
Navi Mumbai, India
Tel: +91 22 2778 1472
Fax: +91 22 2778 1473

◆ e-mail: info@enerpac.com

Italy

ENERPAC S.p.A.
Via Canova 4
20094 Corsico (Milano)
Tel: +39 02 4861 111
Fax: +39 02 4860 1288

Japan

Applied Power Japan Ltd.
1-1-11, Shimomae
Toda-shi
Saitama Pref.
Japan 335-0016
Tel: +81 484 30 1055
Fax: +81 484 30 1066

The Netherlands, Belgium, Luxembourg, Sweden, Denmark, Norway, Finland, Baltic States

ENERPAC B.V.
Storkstraat 25
P.O. Box 269, 3900 AG Veenendaal
The Netherlands
Tel: +31 318 535 911
Fax: +31 318 525 613
+31 318 535 848

Technical Inquiries Europe:

techsupport.europe@enerpac.com

Singapore

Enerpac Asia Pte. Ltd.
25 Serangoon North Ave. 5
#03-01 Keppel DigiHub
Singapore 554914
Thomson Road
P.O. Box 114
Singapore 915704
Tel: +65 64 84 5108, +65 64 84 3737
1800 363 7722
Fax: +65 64 84 5669
Technical Inquiries:
sales@enerpac.com.sg

South Korea

Actuant Korea Ltd.
3Ba 717, Shihwa Industrial Complex,
Jungwang-Dong, Shihung-Shi, Kyunggi-Do
Republic of Korea 429-450
Tel: +82 31 434 4506
Fax: +82 31 434 4507

◆ internet: www.enerpac.com

Spain, Portugal

ENERPAC
C/San José Artesano 8
Pol. Ind.
28108 Alcobendas
(Madrid) Spain
Tel: +34 91 661 11 25
Fax: +34 91 661 47 89

Middle East, Turkey, Caspian Sea, Greece

ENERPAC Middle East FZE
P.O. Box 18004
Jebel Ali, Dubai
United Arab Emirates
Tel: +971 (0)4 8872686
Fax: +971 (0)4 8872687

United Kingdom, Ireland

ENERPAC Ltd., P.O. Box 33
New Romney, TN28 8QF
United Kingdom
Tel: +44 01797 363 639
Fax: +44 01527 585 500

USA, Latin America and Caribbean

ENERPAC
P.O. Box 3241
6100 N. Baker Road
Milwaukee, WI 53209 USA
Tel: +1 262 781 6600
Fax: +1 262 783 9562
User inquiries:
+1 800 433 2766
Distributor inquiries/orders:
+1 800 558 0530
Technical Inquiries:
techservices@enerpac.com

07/02/04

All Enerpac products are guaranteed against defects in workmanship and materials for as long as you own them.
For your nearest authorized Enerpac Service Center, visit us at www.enerpac.com

ECOM0406037