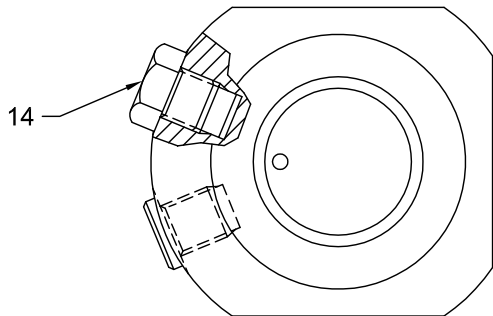


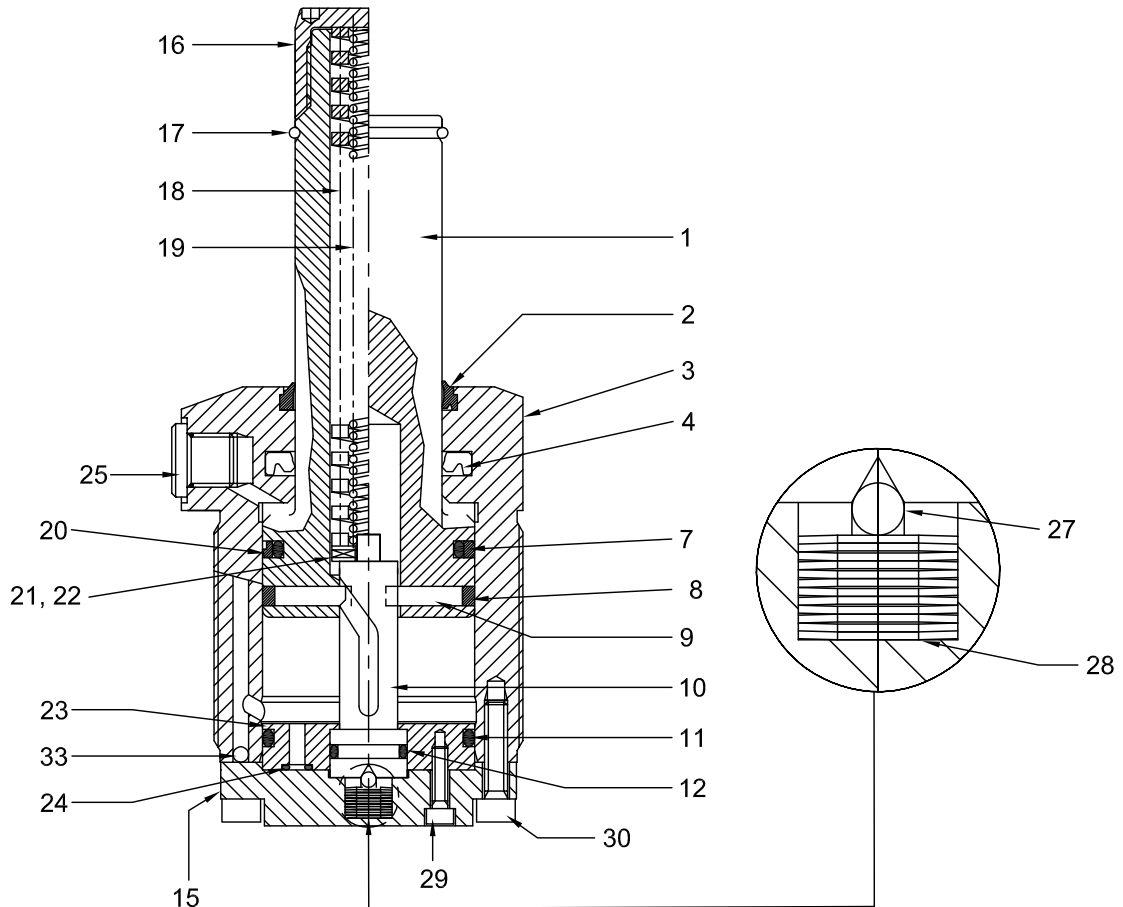
**Model No. Code**

- |   |          |  |  |          |   |                          |
|---|----------|--|--|----------|---|--------------------------|
| <b>1</b>  | <b>2</b> | <b>3</b>   | <b>4</b>   | <b>5</b> | <b>6</b>  | <b>7</b>                 |
| 1. S = Swing cylinder<br>2. T = Threaded body<br>U = Upper flange<br>L = Lower flange |          | 3. R = Right swing<br>L = Left swing<br>S = Straight swing | 4. S = Single-acting<br>D = Double-acting<br>5. 35 = 35 kN force |          | 6. 1 = Imperial body type<br>2 = Metric body type | 7. V = Viton seal option |



**Threaded Body Mounting Style**

1. Lubricate all seals with Lubriplate prior to assembly.
2. Torque Item 16 to 22-29 ft-lbs [30-40 Nm].
3. Torque Item 29 to 37-44 in-lbs [4,2-5 Nm].
4. Torque Item 30 to 11-12.5 ft-lbs [15-17 Nm].

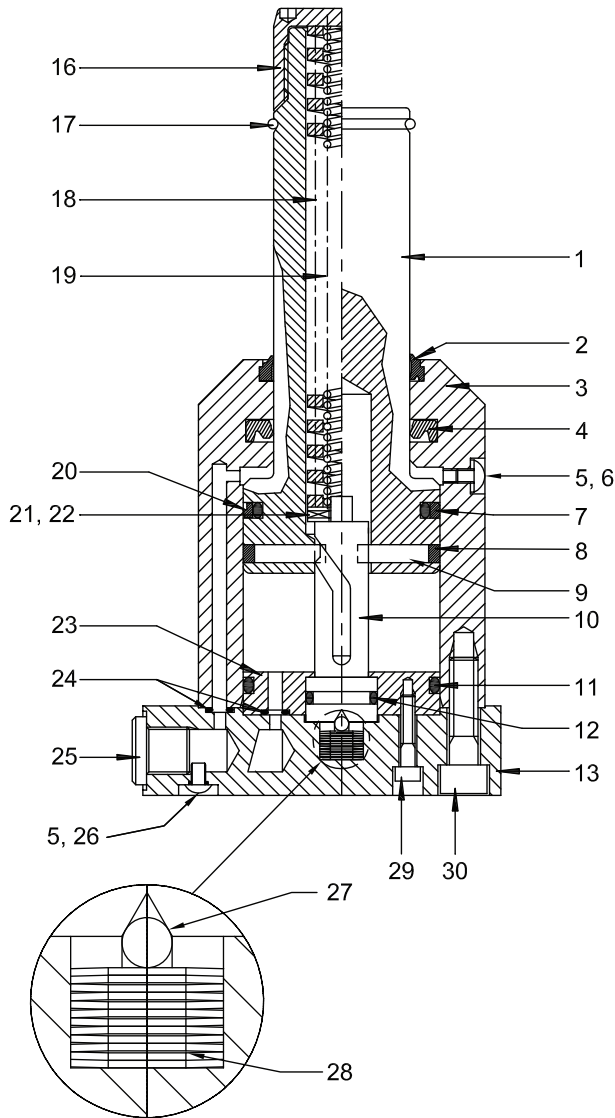
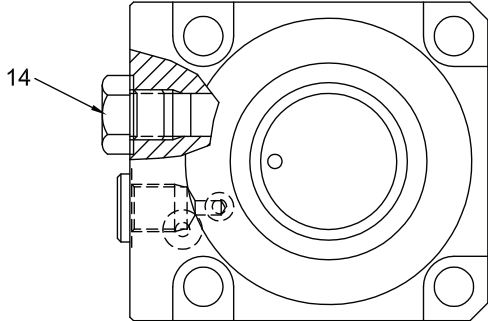


**To Protect Your Warranty, Use Only ENERPAC Hydraulic Oil.**

Enerpac recommends that all kit components be installed to insure optimum performance of the repaired product.

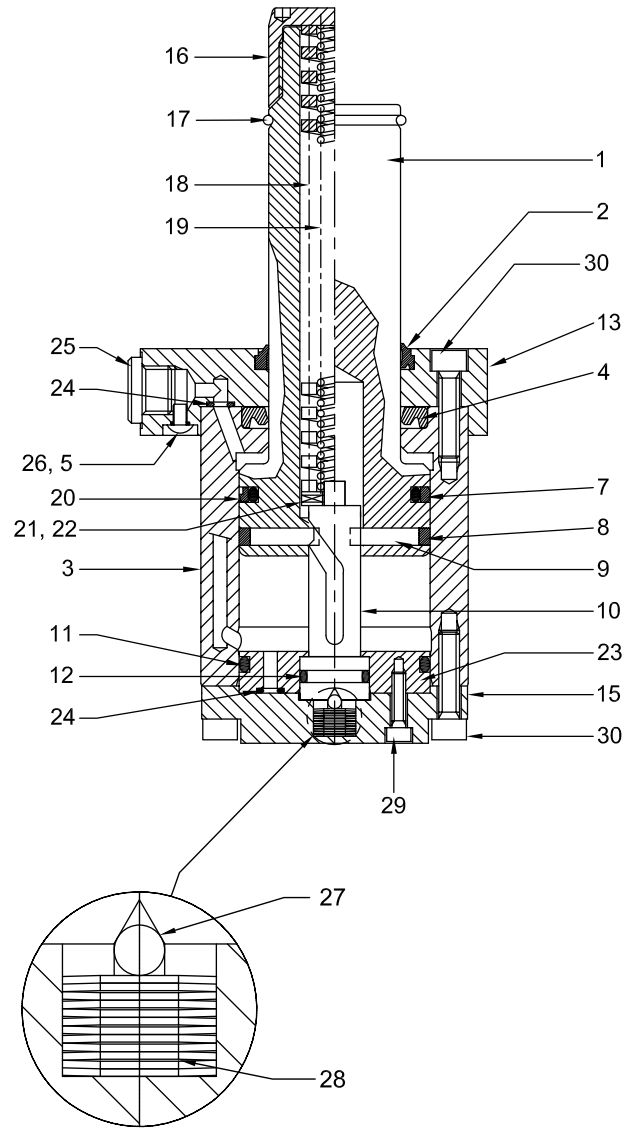
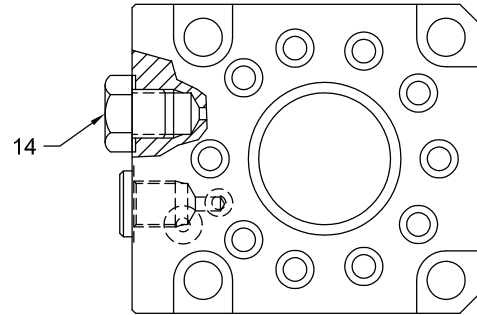
### Lower Flange Mounting Style

1. Lubricate all seals with Lubriplate prior to assembly.
2. Torque Item 16 to 22-29 ft-lbs [30-40 Nm].
3. Torque Item 5 to 22-26 in-lbs [2,5-3 Nm].
4. Torque Item 29 to 31-40 in-lbs [3,5-4,5 Nm].
5. Torque Item 30 to 26-29 ft-lbs [35-40 Nm].



### Upper Flange Mounting Style

1. Lubricate all seals with Lubriplate prior to assembly.
2. Torque Item 16 to 22-29 ft-lbs [30-40 Nm].
3. Torque Item 5 to 22-26 in-lbs [2,5-3 Nm].
4. Torque Item 29 to 37-44 in-lbs [4,2-5 Nm].
5. Torque Item 30 to 11-12.5 ft-lbs [15-17 Nm].



**Repair Parts List for 35kN Swing Cylinders**

Item	Standard Part Number	Viton Part Number	Qty.	Description
1	CZ315040	CZ315040	1	Plunger (single-acting)
	CZ302040	CZ302040	1	Plunger (double-acting)
2	★ CZ297041	◆ CZ298041	1	Wiper
3	CZ301030	CZ301030	1	Base (threaded body) (metric)
	CZ317030	CZ317030	1	Base (threaded body) (imperial)
	CZ311030	CZ311030	1	Base (lower flange) (metric)
	CZ313030	CZ313030	1	Base (upper flange) (metric)
4	★ DW1040041	(not available)	1	U-Cup
	(not available)	◆ CZ299041	1	Stepseal
5	CBA411028-1E	CBA411028-1E	4	HSRH Screw
	CBA411028-1E	CBA411028-1E	2	HSRH Screw (upper flange)
	CBA411028-1E	CBA411028-1E	3	HSRH Screw (lower flange)
	CBA411028-1E	CBA411028-1E	0	HSRH Screw (threaded body)
6	CYA450041-1A	CYA450041-1A	1	Multiseal (lower flange)
7	CZ307041	◆ CZ300041	1	Glydring (double-acting)
8	★ CZ324071	◆ CZ324071	2	Nylon Disc
9	CZ308061	CZ308061	2	Needle
10	CZ304149	CZ304149	1	Index Rod (left)
	CZ326149	CZ326149	1	Index Rod (right)
	CZ327149	CZ327149	1	Index Rod (straight)
11	★ B1225903	◆ B1225203	1	O-ring
12	★ B1113803	◆ B1113203	1	O-ring
13	CZ312004	CZ312004	1	Lower Flange (metric)
	CZ318004	CZ318004	1	Lower Flange (imperial)
	CZ314004	CZ314004	1	Upper Flange (metric)
	CZ319004	CZ319004	1	Upper Flange (imperial)
14	PA1268950SR	PA1268950SR	1	Vent Plug Assembly (metric)
	PA1103950SR	PA1103950SR	1	Vent Plug Assembly (imperial)
15	CZ303044	CZ303044	1	End Plate
16	CZ316020	CZ316020	1	Plunger Cap (single-acting)
17	★ CZ310044	◆ CZ310044	1	Snap Ring
18	CZ309110	CZ309110	1	Spring (single-acting)
19	CZ295110	CZ295110	1	Spring
20	★ CZ329041	◆ CZ330041	1	Stepseal (single-acting)
21	CZ322107	CZ322107	1	Bearing (single-acting)
22	CZ323108	CZ323108	2	Bearing Washer (single-acting)
23	CZ325225	CZ325225	1	Insert
24	★ B1008803	◆ B1008203	1	O-ring (threaded body)
	★ B1008803	◆ B1008203	2	O-ring (lower flange)
	★ B1008803	◆ B1008203	3	O-ring (upper flange)
25	CS235006	F100006-1	2	BSPP Plug (double-acting)
	CS235006	F100006-1	1	BSPP Plug (single-acting)
	B1003006	B1003006V	2	SAE Plug (double-acting)
	B1003006	B1003006V	1	SAE Plug (single-acting)
26	★ CZ391041	◆ CZ397041	2	O-ring (upper/lower flange only)
27	CAA429061-2A	CAA429061-2A	1	Dowel Pin
28	CZ385110	CZ385110	12	Spring Disc
29	CCA421028-1A	CCA421028-1A	3	HSHC Screw (lower flange)
	CCA419028-1A	CCA419028-1A	3	HSHC Screw (upper flange, threaded body)
30	CCA621028-1A	CCA621028-1A	10	HSHC Screw (threaded body)
	CCA823028-1A	CCA823028-1A	8	HSHC Screw (lower flange)
	CCA621028-1A	CCA621028-1A	20	HSHC Screw (upper flange)
31	★ CZ392041	◆ CZ398041	2	O-ring, manifold mounting (not shown), (double-acting)
	★ CZ392041	◆ CZ398041	1	O-ring, manifold mounting (not shown), (single-acting)
32	CCA1025028-1A	CCA1025028-1A	4	Mounting Screw (metric) (not shown)
	B1072028	B1072028	4	Mounting Screw (imperial) (not shown)
33	B1004016	B1004016	1	Ball (threaded body)

★ Indicates Items included in and available only as part of Repair Kit SS352K (single-acting) or SD352K (double-acting).

◆ Indicates Items included in and available only as part of Repair Kit SS352KV (single-acting) or SD352KV (double-acting).

**Note - Item #4:**

For older cylinders equipped with standard seals, a U-Cup (part number DW1040041) replaces the stepseal (part number CZ306041) that was previously used. For all cylinders equipped with Viton seals, the stepseal (part number CZ299041) continues in use.

**ENERPAC**   
POWERFUL SOLUTIONS. GLOBAL FORCE.  
[www.enerpac.com](http://www.enerpac.com)