

To Protect Your Warranty, Use Only ENERPAC Hydraulic Oil.

Enerpac recommends that all kit components be installed to insure optimum performance of the repaired product.

MODEL NUMBER CODE

1

2

3

4

5

6

7

S = swing cylinder

T = threaded body

R = right swing

S = single acting

20 = 18,8 kN force

1 = imperial body type

V = Viton seal option

U = upper flange

L = left swing

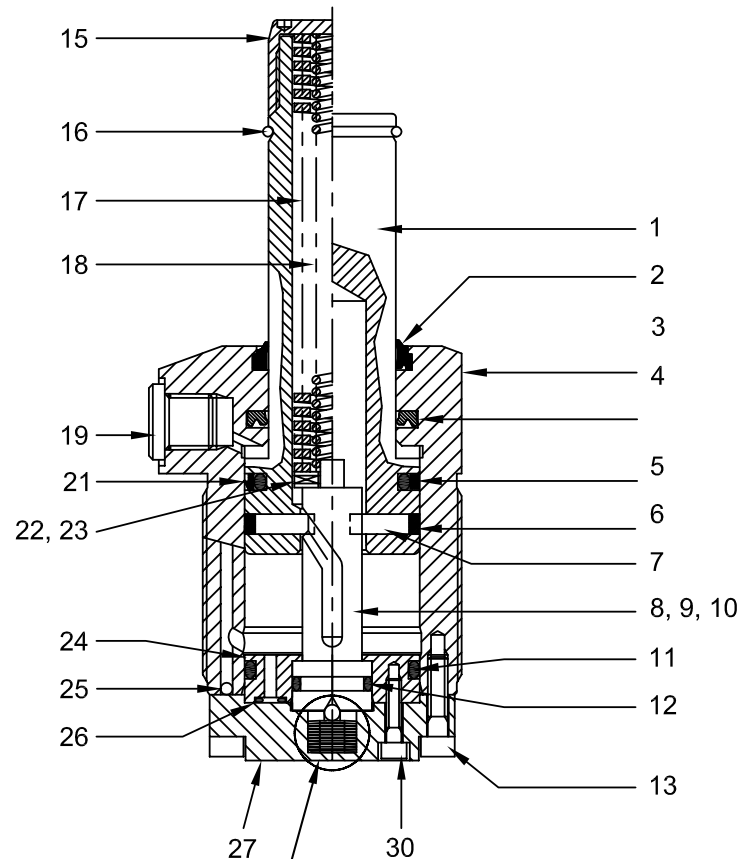
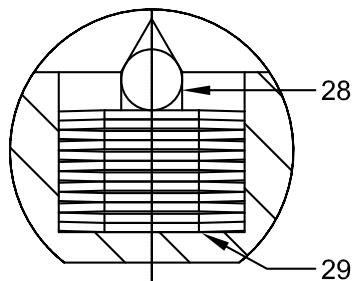
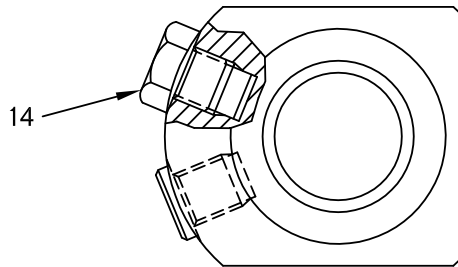
D = double acting

2 = metric body type

L = lower flange

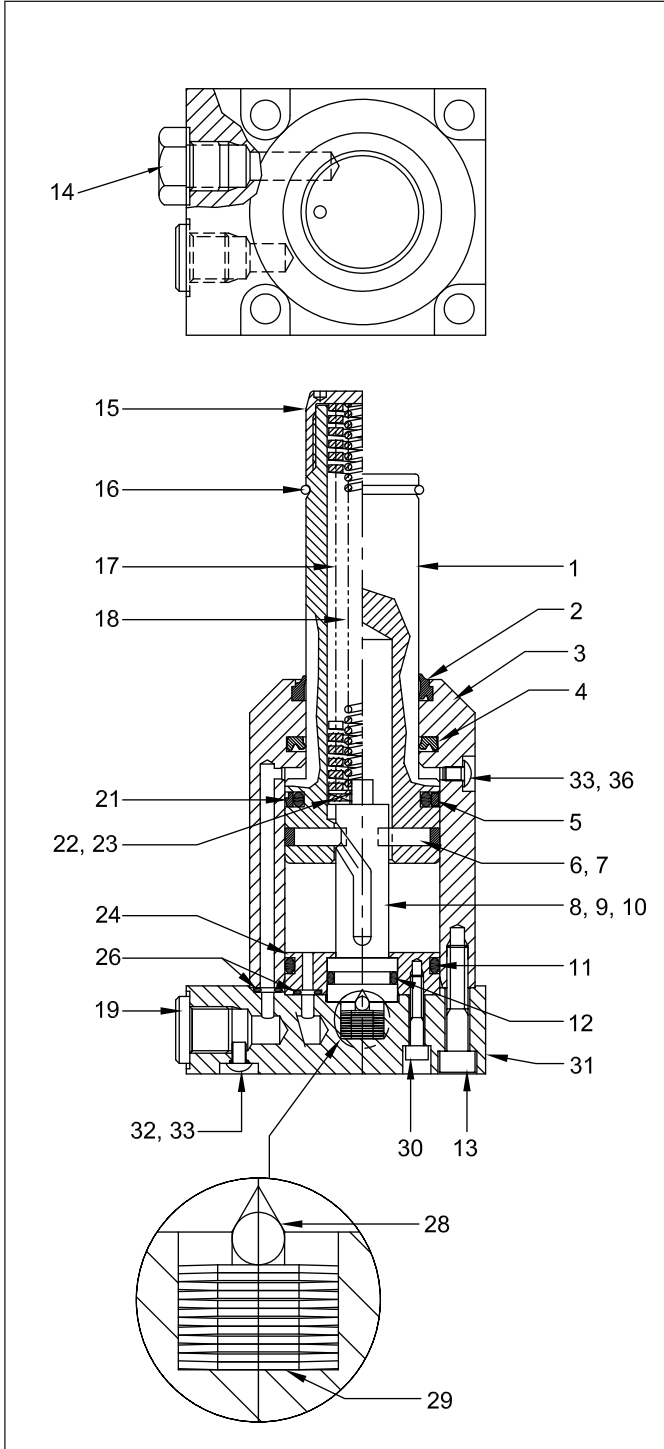
Threaded Body Mounting Style

1. Lubricate all seals with Lubriplate prior to assembly.
2. Torque item 13 to 6-7 ft-lbs [8,5-9,5 Nm].
3. Torque item 15 to 22-29 ft-lbs [30-40 Nm].
4. Torque item 30 to 37-44 in-lbs [4,2-5 Nm].



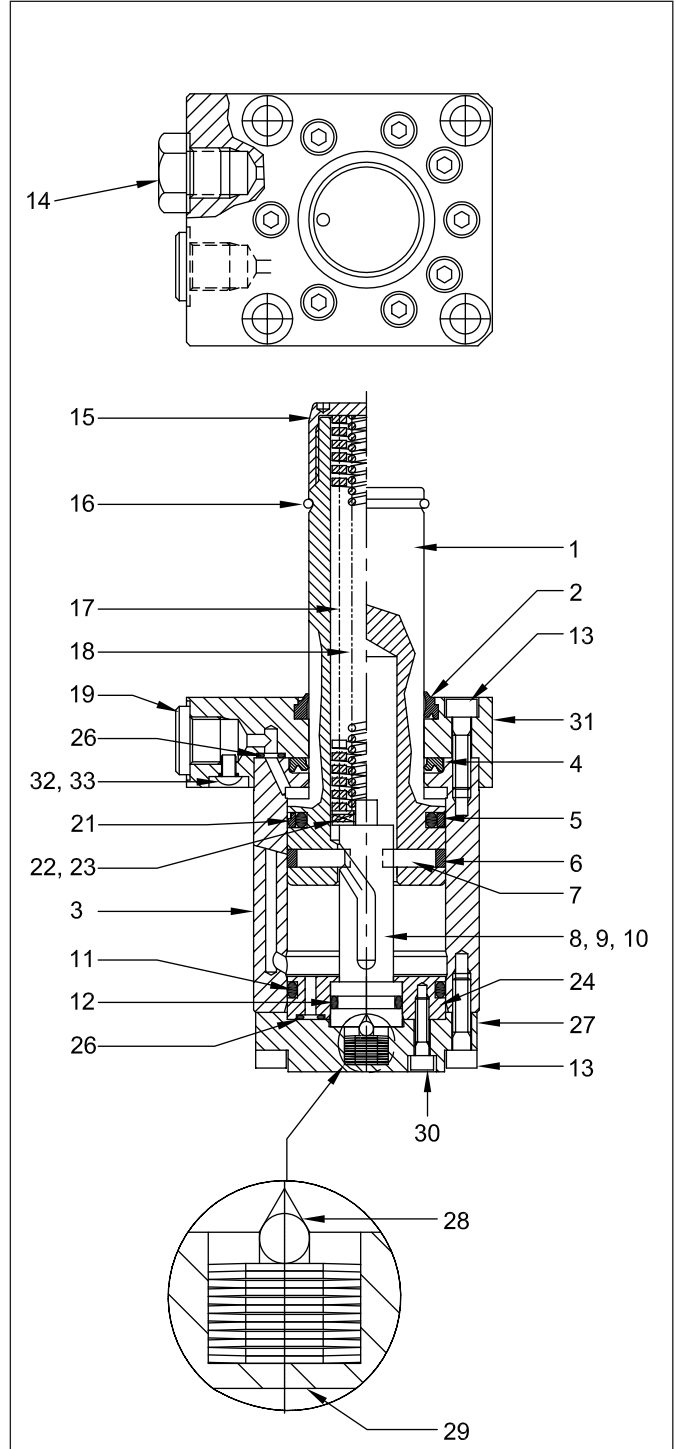
Lower Flange Mounting Style

1. Lubricate all seals with Lubriplate prior to assembly.
2. Torque item 13 to 11-12,5 ft-lbs [15-17 Nm].
3. Torque item 15 to 22-29 ft-lbs [30-40 Nm].
4. Torque item 30 to 37-44 in-lbs [4,2-5 Nm].
5. Torque item 33 to 22-26 in-lbs [2,5-3 Nm].



Upper Flange Mounting Style

1. Lubricate all seals with Lubriplate prior to assembly.
2. Torque item 13 to 6-7 ft-lbs [8,5-9,5 Nm].
3. Torque item 15 to 22-29 ft-lbs [30-40 Nm].
4. Torque item 30 to 37-44 in-lbs [4,2-5 Nm].
5. Torque item 33 to 22-26 in-lbs [2,5-3 Nm].



Repair Parts List

Item	Standard Part Number	Viton Part Number	Qty.	Description
1	CZ345040	CZ345040	1	Plunger (single-acting)
	CZ332040	CZ332040	1	Plunger (double-acting)
2	★ CZ358041	* CZ354041	1	Wiper
3	CZ331030	CZ331030	1	Base (threaded body)(metric)
	CZ347030	CZ347030	1	Base (threaded body)(imperial)
	CZ341030	CZ341030	1	Base (lower flange)
	CZ343030	CZ343030	1	Base (upper flange)
4	★ DW1039041	(not available)	1	U-Cup
	(not available)	* CZ355041	1	Stepseal
5	★ CZ337041	* CZ356041	1	Glyd Ring (double-acting only)
6	★ CZ352071	* CZ352071	2	Nylon Disc
7	CZ338061	CZ338061	2	Needle
8	CZ304149	CZ304149	1	Index Rod (left)
9	CZ326149	CZ326149	1	Index Rod (right)
10	CZ327149	CZ327149	1	Index Rod (straight)
11	★ B1221903	* B1221203	1	O-Ring
12	★ B1113803	* B1113203	1	O-Ring
13	CCA521028-1A	CCA521028-1A	8	HSHC Screw (threaded body)
	CCA625028-1A	CCA625028-1A	8	HSHC Screw (lower flange)
	CCA521028-1A	CCA521028-1A	16	HSHC Screw (upper flange)
14	PA1268950SR	PA1268950SR	1	Vent Plug Assembly (metric)
	PA1103950SR	PA1103950SR	1	Vent Plug Assembly (imperial)
15	CZ346020	CZ346020	1	Plunger Cap (single-acting only)
16	CZ340044	CZ340044	1	Snap Ring
17	CZ339110	CZ339110	1	Spring (single-acting only)
18	CZ334110	CZ334110	1	Spring (single-acting only)
19	CS235006	F100006-1	1	Plug (single-acting)(metric)
	CS235006	F100006-1	2	Plug (double-acting)(metric)
	B1003006	B1003006V	1	Plug (single-acting)(imperial)
	B1003006	B1003006V	2	Plug (double-acting)(imperial)
21	★ CZ360041	* CZ36041	1	Stepseal (single-acting only)
22	CZ322107	CZ322107	1	Bearing
23	CZ323108	CZ323108	2	Bearing Washer
24	CZ353225	CZ353225	1	Insert
25	B1003016	B1003016	1	Ball (threaded body only)
26	★ B1008803	* B1008203	1	O-Ring (threaded body)
	★ B1008803	* B1008203	2	O-Ring (lower flange)
	★ B1008803	* B1008203	3	O-Ring (upper flange)
27	CZ333044	CZ333044	1	End Plate
28	CAA429061-2A	CAA429061-2A	1	Dowel Pin
29	CZ385110	CZ385110	12	Spring Disc
30	CCA419028-1A	CCA419028-1A	3	HSHC Screw (threaded body or upper flange)
	CCA421028-1A	CCA421028-1A	3	HSHC Screw (lower flange)
31	CZ342004	CZ342004	1	Lower Flange (metric)
	CZ348004	CZ348004	1	Lower Flange (imperial)
	CZ344004	CZ344004	1	Upper Flange (metric)
	CZ349004	CZ349004	1	Upper Flange (imperial)
32	CZ391041	CZ397041	2	O-Ring (upper/lower flange only)
33	CBA411028-1E	CBA411028-1E	2	HSRH Screw
	CBA411028-1E	CBA411028-1E	3	HSRH Screw (lower flange, double-acting only)
34	★ CZ392041	* CZ398041	2	O-Ring, manifold mounting (not shown), (single-acting, upper/lower flange only)
	★ CZ392041	* CZ398041	2	O-Ring, manifold mounting (not shown), (double-acting, upper/lower flange only)
35	CCA825028-1A	CCA825028-1A	4	Mounting Bolt (metric) not shown, (upper/lower flange only)
	B1352028	B1352028	4	Mounting Bolt (imperial) (not shown),(upper/lower flange only)
36	CYA450041-1A	CYA450041-1A	1	Multiseal (double-acting, lower flange)

★ Indicates Items included in and available only as part of Repair Kit SS202K (single-acting) or SD202K (double-acting).

* Indicates Items included in and available only as part of Repair Kit SS202KV (single-acting) or SD202KV (double-acting).

Note - Item #4: For older cylinders equipped with standard seals, a U-Cup (part number DW1039041) replaces the stepseal (part number CZ336041) that was previously used. For all cylinders equipped with Viton seals, the stepseal (part number CZ355041) continues in use.

ENERPAC 
POWERFUL SOLUTIONS. GLOBAL FORCE.
www.enerpac.com