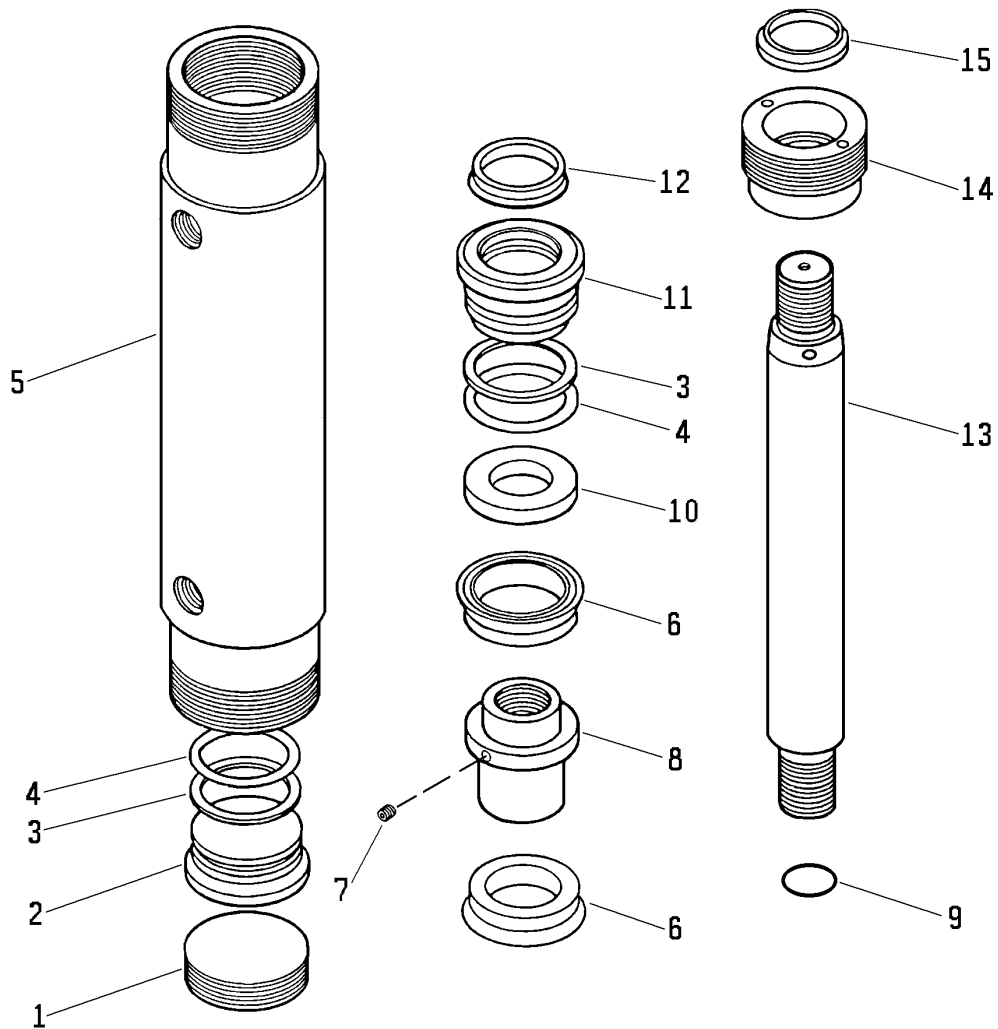


L-2099
REV. O
12/95
PC 4510

For Date Codes Beginning With "D"



Torque Item 7
to 20 in. lbs.

TO PROTECT YOUR WARRANTY, USE ONLY ENERPAC HYDRAULIC OIL

Parts List

Item No.	Part Number		Qty.	Description
	RD - 256	RD - 2510		
1	F311048	F311048	1	Lockscrew
2	CJ284570	CJ284570	1	Cap
3	★B1330565	★B1330565	2	Back-Up Washer
4	★B1330903	★B1330903	2	O-Ring
5	L186030	L110030	1	Base
6	★CH872041	★CH872041	2	U-Cup
7	★CF623028	★CF623028	1	Set Screw
8	CW189107	CW189107	1	Piston
9	★B1220903	★B1220903	1	O-Ring
10	CL769107	CL769107	1	Bearing
11	CJ285044	CJ285044	1	Internal Stop Ring
12	★CH874041	★CH874041	1	U-Cup
13	CL799040	CL797040	1	Plunger
14	L122044	L122044	1	External Stop Ring
15	★J756041	★J756041	1	Wiper Ring

★ Indicates items included in and available only as part of Repair Kit RD2510K2.

Australia

Enerpac
Block V, Unit 3
Regents Park Estate
391 Park Road
Regents Park NSW 2143
Tel: (61) (2) 743-8988
Fax: 8232-674-7747

CIS

Applied Power Moscow
Leninski Prospekt 95A
117313 Moscow
Tel: (095) 936 2005
Fax: (095) 936 2005

Eastern Europe and Other European Countries, Middle East, and Africa

Enerpac
47, avenue Blanc
P.O. Box 67, CH-1211
Geneva 21, Switzerland
Tel: (41) 22-731 94 05
Telex: 412843
Fax: (41) 22-731 12 15

Belgium, Holland, and Luxemburg

Enerpac B.V.
P.O. Box 269, Storkstraat 25
3900AG Veenendaal
Holland
Tel: (0318) 535911
Fax: (0318) 525613 or 526645

Canada

Enerpac
13000 West Silver Spring Drive
Butler, Wisconsin 53007, USA
Tel: (800) 426-4129 User
Tel: (800) 426-2284 Distributor
Fax: (414) 781-1049

Far East

Enerpac
47 Jalan Pemimpin
#01-02 & 01-03
Sin Cheong Building
Singapore 2057
Thomson Road P.O. Box 114
Singapore 9157
Tel: (65) 2581677
Telex: RS24882 APOWR
Fax: (65) 2582847

France

Enerpac
B.P. 200
Parc d'Activités du Moulin
de Massy
91882 Massy Cedex, France
Tel: (33) 1-60 13 68 68
Fax: (33) 1-69 20 37 50

Germany

Enerpac
Mündelheimer Weg 51
P.O. Box 300 113
D-40401 Düsseldorf 30
Tel: (49) (221) 41707-0
Telex: 8582790
Fax: (49) (211) 4170740

Italy

Enerpac
Via Canova, 4
20094 Corsico
Milano, Italy
Tel: 39-2-4582741
Fax: 39-2-48601288

Hongkong

Enerpac
Room No. 907, Workingberg
Commercial Building
41-47 Marble Road, North Point
Tel: (852) 561-6295
Fax: (852) 561-6772

India

Enerpac
Hydraulic Technology (India) Pvt
Ltd
203 Vardhaman Chamber
Plot #84, Sector 17
Vashi, New Bombay 400 705
Maharashtra
Tel: 91-22-7631062
Fax: 91-22-7670309

Japan

Applied Power Japan
10-17 Sasame
Kita-cho, Toda-Shi
Saitama 335,
Japan
Tel: 81-0484-22-2251
(Administration)
0484-21-2311 (Sales)
Telex: J26275
Fax: 81-0484-22-0596

Latin America and Caribbean

Enerpac
13000 West Silver Spring Drive
Butler, Wisconsin 53007
Tel: (414) 781-6600 ext. 263
Fax: (414) 781-5561

Mexico

Enerpac
Blvd. Gral. Felipe Angeles 1604
P.O. Box 362
Pachuca, Hidalgo 42080
Mexico
Tel: (52) 771 3-3700
Fax: (52) 771 3-1196 or
(52) 771 8-3800

South Korea

Enerpac
163-12, Dodang-Dong
Wonmi-Ku,
Buchun-Shi, Kyunggi-Do
Republic of Korea
Tel: (82) (32) 6750836
Fax: (82) (32) 6753002

Spain

Enerpac
Calle de la Imprenta, 7
Poligono Industrial
28100 Alcobendas, Madrid
Spain
Tel: (34) 1-6611125
Fax: (34) 1-6614789

United Kingdom

Enerpac
Leacon Road
Ashford, Kent
TN23 4TU
England
Tel: 44-1233-639871
Telex: 966 450
Fax: 44-1233-643923

United States

Enerpac
13000 West Silver Spring Drive
Butler, Wisconsin 53007, USA
Tel: (414) 781-6600
1-800-433-2766 (End User)
1-800-558-0530 (Distributor)
Fax: (414) 781-1049



All Enerpac products are guaranteed against defects in workmanship and materials for as long as you own them. Under this guarantee, free repair or replacement will be made to your satisfaction.

For prompt service, contact your Authorized Enerpac Service Center or call toll free:

**In U.S.A. 1-800-558-0530
In Canada 1-800-426-2284**



PRINTED IN U.S.A.