

L2082 Rev. F 05/17

P-80, 1006 Models with Date Code Beginning with the Letter "D".
P-84 Models with Date Code Beginning with the Letter "A".

Index:

English 1-4
Français 5-8

To Protect Your Warranty, Use Only ENERPAC Hydraulic Oil.
Enerpac recommends that all kit components be installed to insure optimum performance of the repaired unit.

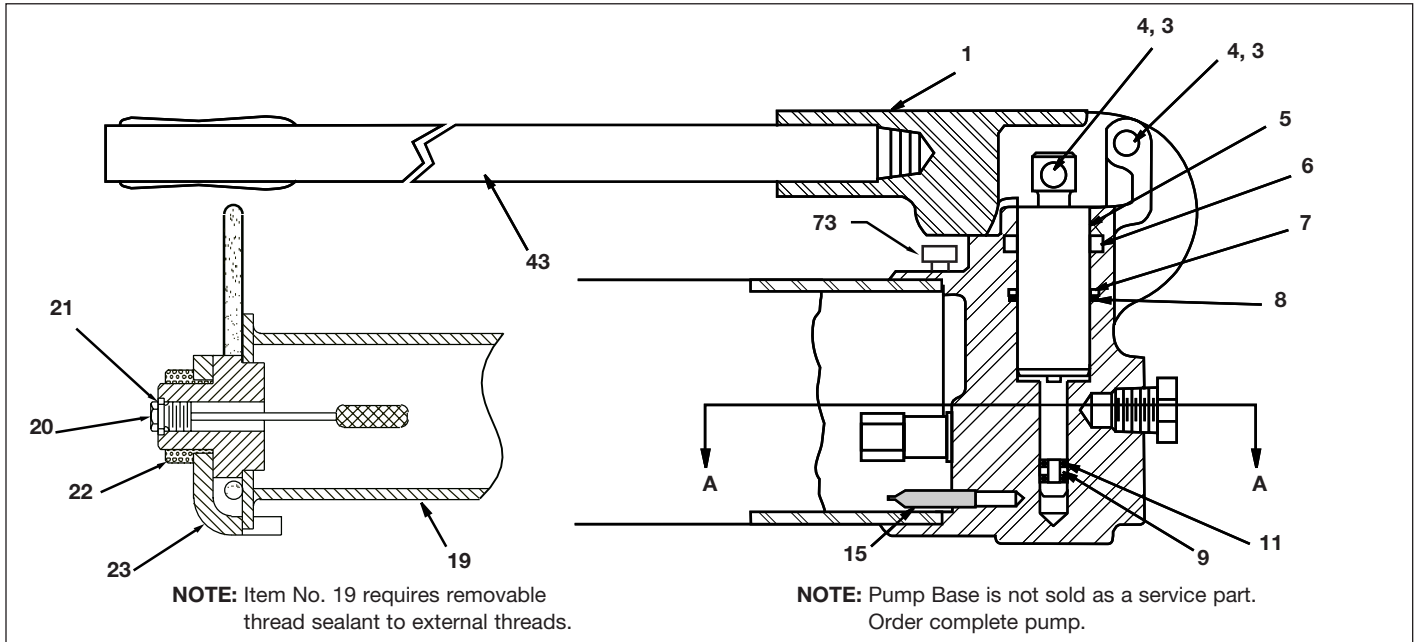


Figure 1, Pump Assembly

Repair Parts List for Figure 1

Item	Model P-80, 1006	Model P-801	Model P-84	Qty.	Description
1	B113060-1	B113060-1	B113060-1	1	Beam
3	★ DA1177349	★ DA1177349	† DA1177349	2	Retaining Ring
4	DC106061SR1	DC106061SR1	DC106061SR1	2	Beam Pin (Includes item 3)
5	CN464051SR2	CN464051SR2	CN464051SR2	1	Pump Plunger (Includes Items 3, 4, 6, 7, 8, 9, 11)
6	★ C912044	★ C912044	† C912044	1	Wiper Ring
7	★ B1216565	★ B1216565	† B1216565	1	Back-up Ring
8	★ B1021503	★ B1021503	† B1021503	1	O-ring Packing
9	★ B1011803	★ B1011803	† B1011803	1	O-ring
11	★ B1011564	★ B1011564	† B1011564	1	Back-up Ring
15	★ P30718	★ P30718	† P30718	1	Oil Strainer Screen
19	B245900SR	CS605900	B245900SR	1	Reservoir Assembly
20	CL244950W	CL244950W	CL244950W	1	Filler Plug (Includes item 21)
21	★ B159167	★ B159167	† B159167	4	Gasket
22	S4123	S4123	S4123	1	Jam Nut
23	B242267	B242267	B242267	1	Pump Rest
43	C7900SR	BSS2922D	C7900SR	1	Handle Assembly
73	CA561024	CA561024	CA561024	1	Vent

★ Items are included in Repair Kit P80K4. (Viton Kit: P-80 use P80KV3.)

† Items are included in Repair Kit P84K3. (Viton Kit: P-84 use P84K3V.)

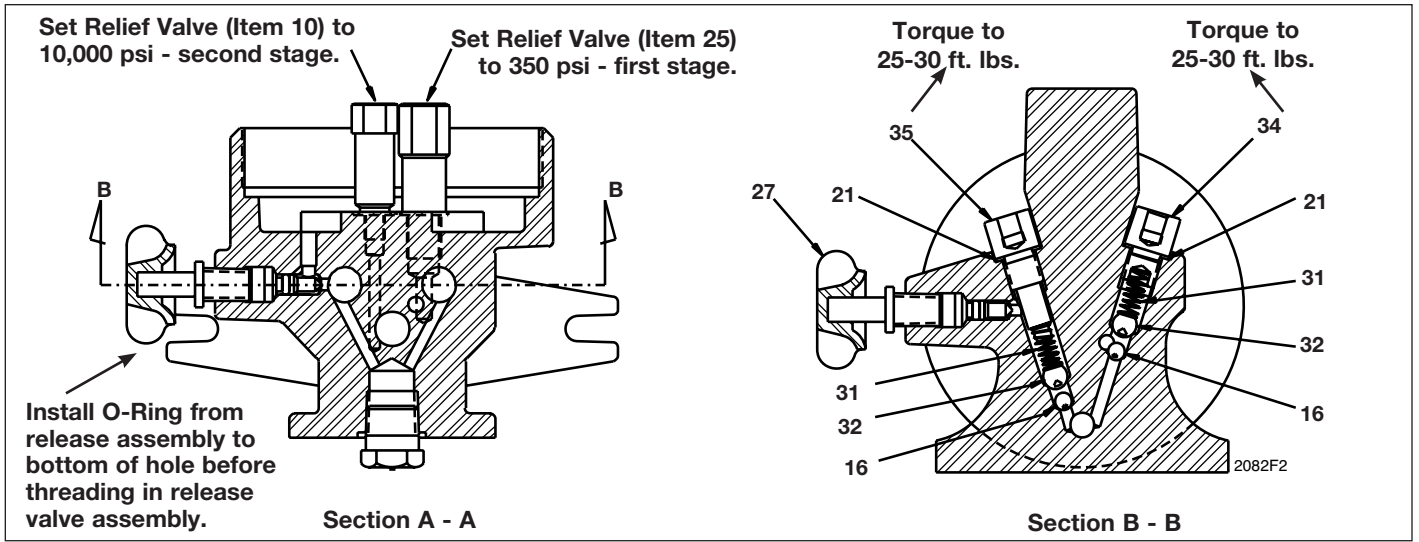
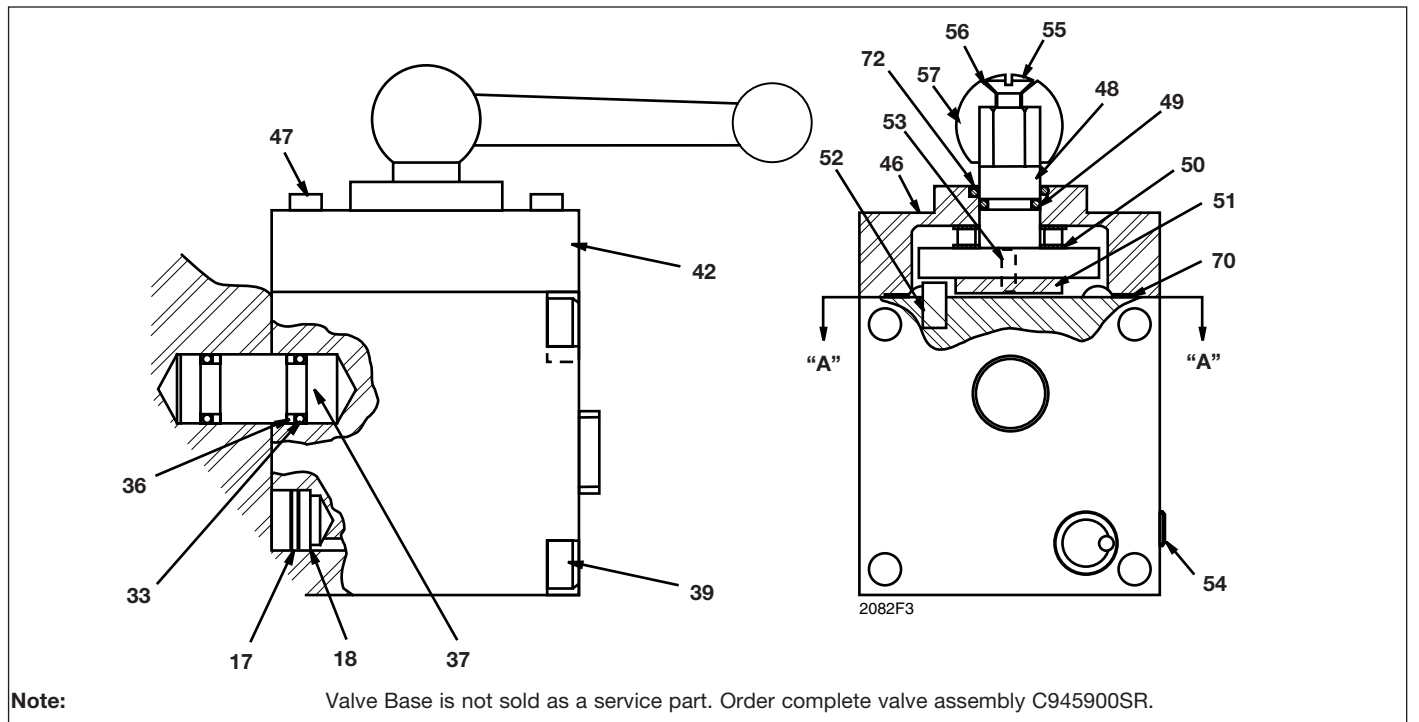


Figure 2, Pump Head

Repair Parts List for Figure 2				
Item No.	Model P-80, 1006	Model P-84	Quantity	Description
10	A8613900SR	A8613900SR	1	Relief Valve (includes Item 38)
16	★ B1006016	† B1006016	2	7/32" Ball
21	★ B159167	† B159167	4	Gasket
25	C960900SR	C960900SR	1	By-pass Valve (Includes Item 21)
27	CL655950SR	—	1	Release Valve (Includes Items 28, 29, 30)
31	★ S1183	† S1183	2	Spring
32	★ B1009016	† B1009016	2	5/16" Ball
34	B249185SR	B249185SR	1	Valve Plug (Includes Items 21, 31, 32, 16)
35	DA2526006SR	DA2526006SR	1	Valve Plug (Includes Items 16, 21, 31, 32)

★ Items are included in Repair Kit P80K4. (Viton Kits: P-80 use P80KV3.)

† Items are included in Repair Kit P84K3. (Viton Kits: P-84 use P84K3V.)



Note:

Valve Base is not sold as a service part. Order complete valve assembly C945900SR.

Figure 3, P-84 Valve Assembly

Repair Parts List for Figure 3

Item No.	Model P-84	Quantity	Description
17	★★†CJ416041	1	Seal Ring
18	† B1084108	1	Washer
33	† B1008503	2	O-ring
36	† B1110564	2	Back-up Washer
37	C952270SR	1	Connector
39	B1025028	4	Cap Screw
42	C945900SR	1	4-Way Valve Assembly (Includes Items 17, 18, 33, 36)
46	C934162SR	1	Valve Body Cap (Includes Item 70)
47	B1332028	4	Socket Head Cap Screw
48	C932071SR	1	Disc (Includes Items 49, 50, 51, 52, 53)
49	★★ B1007503	1	O-ring
50	★★ C940155	1	Needle Thrust Bearing
51	★★ C933561	1	Disc Bar
52	★★ C939153	1	Groove Pin
53	★★ B1049057	2	Spring Pin
54	★★ A1006245	7	Pipe Plug
55	★★ P45138	1	Screw
56	★★ P45139	1	Lock Washer
57	P6012SR	1	Release Valve Lever (Includes Items 55, 56)
70	★★ C957037	1	Gasket
72	★★ A1028476	1	Seal

★★ Items are included in Repair Kit C945900K.

† Items are included in Repair Kit P84K3. (Viton Kits: P-84 use P80K3V.)

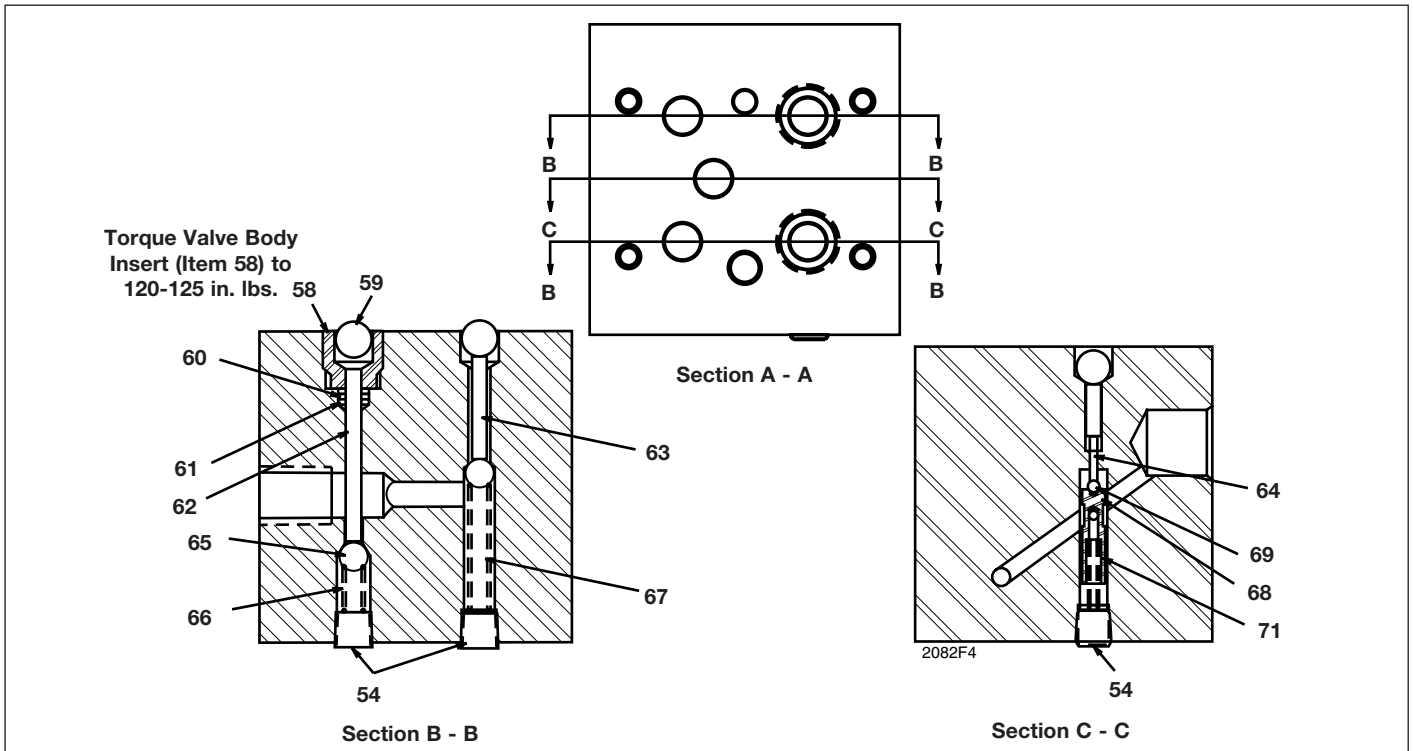


Figure 4, P84 Valve Body

Repair Parts List for Figure 4

Item No.	Model P-84	Quantity	Description
54	★★ A1006245	7	Pipe Plug
58	C861439SR	2	Valve Body Insert (Includes Items 57, 59, 60, 61, 62, 65, 66)
59	★★ B1008016	2	Ball
60	★★ DA5776186	2	Spacer
61	★★ B1001503	2	O-ring
62	★★ C864153	2	Push Pin
63	★★ C863153	2	Push Pin
64	★★ C944153	1	Push Pin
65	★★ B1006016	4	Ball
66	★★ C830110	2	Spring
67	★★ C955110	2	Spring
68	F4570SR	1	Spring / Ball Cap Assembly (Includes Items 64, 67, 71)
69	★★ B1002016	1	Ball
71	★★ DA5769110	1	Spring

★★ Items are included in Repair Kit C945900K.

† Items are included in Repair Kit P84K3. (Viton Kits: P-84 uses P84K3V.)

◆ internet: www.enerpac.com

◆ e-mail: info@enerpac.com

Enerpac Worldwide Locations

Australia and New Zealand

Actuant Australia Ltd.
P.O. Box 6867, Wetherill Park, NSW 1851
Besshocho 85-7
Kita-ku, Saitama-shi 331-0821, Japan
T +81 48 662 4911
F +81 48 662 4955

Middle East, Egypt and Libya

ENERPAC Middle East FZE
Plot M00737m, 1242nd Street
Jebel Ali Free Zone North
P.O. Box 18004, Dubai
United Arab Emirates
T +971 (0)4 8872686
F +971 (0)4 8872687

Brazil

Power Packer do Brasil Ltda.
Rua Luiz Lawrie Reid, 548
09300-760 - Diadema (SP) - Brazil
T +55 11 5687 2211
Toll Free: 0800 891 5770

China (Taichang)

Actuant (China) Industries Co. Ltd.
No.6 Nanjing East Road,
Taichang Economic Dep Zone
Jiangsu, China
T +86 0512 5328 7500
F +86 0512 5335 9690
Toll Free: +86 400 885 0369

France, Switzerland, North Africa and French speaking African countries

ENERPAC
Une division d'Actuant France S.A.S.
Zone Orlytech Bâtiment 516
1 allée du commandant Mouchotte
CS-40351
91350 Paray-Vieille-Poste
France
T +33 1 60 13 68 68
F +33 1 69 20 37 50

Germany and Austria

Actuant GmbH
P.O. Box 300113
D-40401 Düsseldorf
Willstätterstrasse 13
D-40549 Düsseldorf, Germany
T +49 211 471 490
F +49 211 471 49 28

India

Actuant India Private Limited
No. 10, Bellary Road, Sadashivanagar,
Bangalore, Karnataka 560 080
India
T +91 800 3928 9000

Italy

ENERPAC S.p.A.
Via Canova 4
20094 Corsico (Milano)
T +39 02 4861 111
F +39 02 4860 1288

Japan

Enerpac Co., Ltd.
Besshocho 85-7
Kita-ku, Saitama-shi 331-0821, Japan
T +81 48 662 4911
F +81 48 662 4955

Norway

Sales Office Norway
Unit 524, Nydalsveien 28, 0484 Oslo
P.O. Box 4814, Nydalen 0422 Oslo
Norway
Tel: +47 91 578 300

Russia

Rep. office Enerpac
Russian Federation
Admiral Mikanova Street 8
125212 Moscow, Russia
T +7 495 98090 91
F +7 495 98090 92

Southeast Asia, Hong Kong and Taiwan

Actuant Asia Pte Ltd.
83, Joo Koon Circle
Singapore 629109
T +65 68 63 0611
F +65 64 84 5669
Toll Free: +1800 363 7722

South Korea

Actuant Korea Ltd.
3Ba 717, Shihwa Industrial Complex
Jungwang-Dong, Shihung-Sih,
Kyunggi-Do
Republic of Korea 429-450
T +82 31 434 4506
F +82 31 434 4507

Spain and Portugal

ENERPAC SPAIN, S.L.
Avda. Valdeparra N° 27 3ª - L8
28108 Alcobendas (Madrid), Spain
T +34 91 884 86 06
F +34 91 884 86 11

Sweden, Denmark Finland and Iceland

Enerpac Scandinavia AB
Kopparlundsvägen 14,
721 30 Västerås
Sweden
T +46 (0) 771 41 50 00

The Netherlands, Belgium, Luxembourg, Central and Eastern Europe, Baltic States, Greece, Turkey and CIS countries

ENERPAC B.V.
Galvanisstraat 115, 6716 AE Ede
P.O. Box 8097, 6710 AB Ede
The Netherlands
T +31 318 535 911
F +31 318 535 848

Enerpac Heavy Lifting Technology B.V.

Spinestraat 15, 7554 TS Hengelo
P.O. Box 421, 7550 AK Hengelo
The Netherlands
T +31 74 242 20 45
F +31 74 243 03 38

South Africa and other English speaking African countries

Enerpac Africa Pty Ltd.
No. 5 Bauhinia Avenue
Cambridge Office Park
Block E
Highveld Techno Park
Centurion 0157
Republic of South Africa
T: +27 12 940 0656

United Kingdom and Ireland

ENERPAC UK Ltd.
5 Coopies Field
Morpet, Northumberland
NE61 6JR, England
T +44 1670 5010 00

USA, Latin America and Caribbean

ENERPAC World Headquarters +27 12
P.O. Box 3241
Milwaukee, WI 53201-3241 USA
N86 W12500 Westbrook Crossing
Menomonee Falls, Wisconsin 53051
T +1 262 293 1600
F +1 262 293 7036
User inquiries:
T +1 800 433 2766
Distributor inquiries/orders:
T +1 800 558 0530
F +1 800 628 0490

All Enerpac products are guaranteed against defects in workmanship and materials for as long as you own them.

For the location of your nearest authorized Enerpac Service Center, visit us at www.enerpac.com

L2082_Fr Rev. F 05/17

P-80, 1006 modèles avec code date commençant avec la lettre D.

P-84 modèles avec code date commençant avec la lettre A.

Contracter Enerpac en cas de doute quant à l'utilisation du produit.

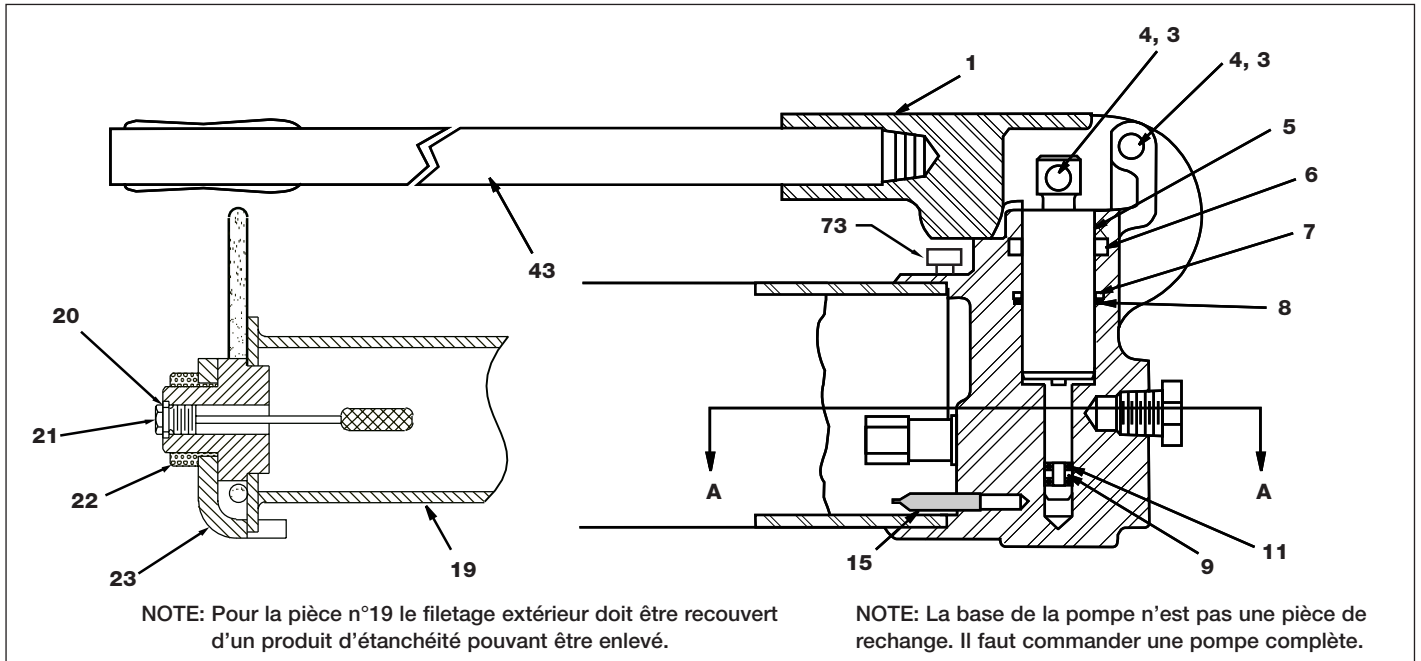


Figure 1, ensemble pompe

Liste pièces de rechange pour figure 1

Pièce n°	Modèle P-80, 1006	Modèle P-801	Modèle P-84	Quantité	Description
1	B113060-1	B113060-1	B113060-1	1	Levier
3	★ DA1177349	★ DA1177349	† DA1177349	2	Bague de retenue
4	DC106061SR1	DC106061SR1	DC106061SR1	2	Axe de levier (comprend pièce 3)
5	CN464051SR2	CN464051SR2	CN464051SR2	1	Plongeur (comprend pièces 3, 4, 6, 7, 8, 9, 11)
6	★ C912044	★ C912044	† C912044	1	Joint racler
7	★ B1216565	★ B1216565	† B1216565	1	Bague support
8	★ B1021503	★ B1021503	† B1021503	1	Garniture joint torique
9	★ B1011803	★ B1011803	† B1011803	1	Joint torique
11	★ B1011564	★ B1011564	† B1011564	1	Bague support
15	★ P30718	★ P30718	† P30718	1	Tamis crépine
19	B245900SR	CS605900	B245900SR	1	Ensemble réservoir
20	CL244950W	CL244950W	CL244950W	1	Bouchon remplissage (comprend pièce 21)
21	★ B159167	★ B159167	† B159167	4	Joint
22	S4123	S4123	S4123	1	Contre-écrou
23	B242267	B242267	B242267	1	Support pomp
43	C7900SR	BSS2922D	C7900SR	1	Ensemble levier de commande
73	CA561024	CA561024	CA561024	1	Passage

★ Pièces comprises dans le kit de réparation P80K4. (Kit Viton : P80KV3 pour P-80).

† Pièces comprises dans le kit de réparation P84K3. (Kit Viton : P84K3V pour P-84).

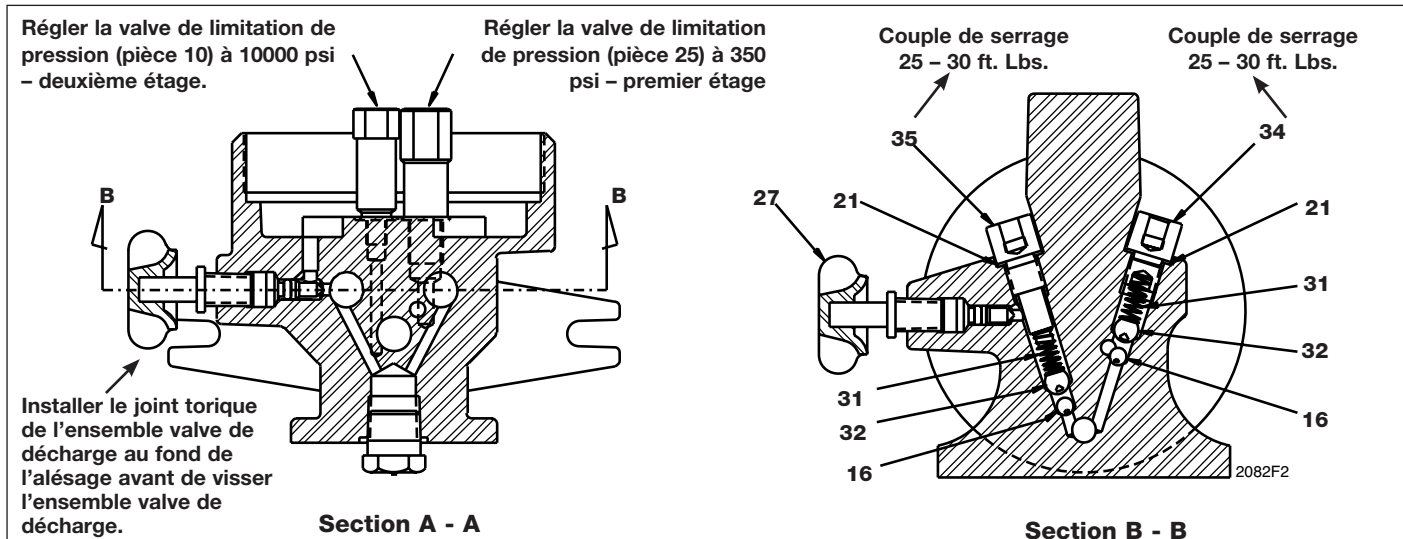
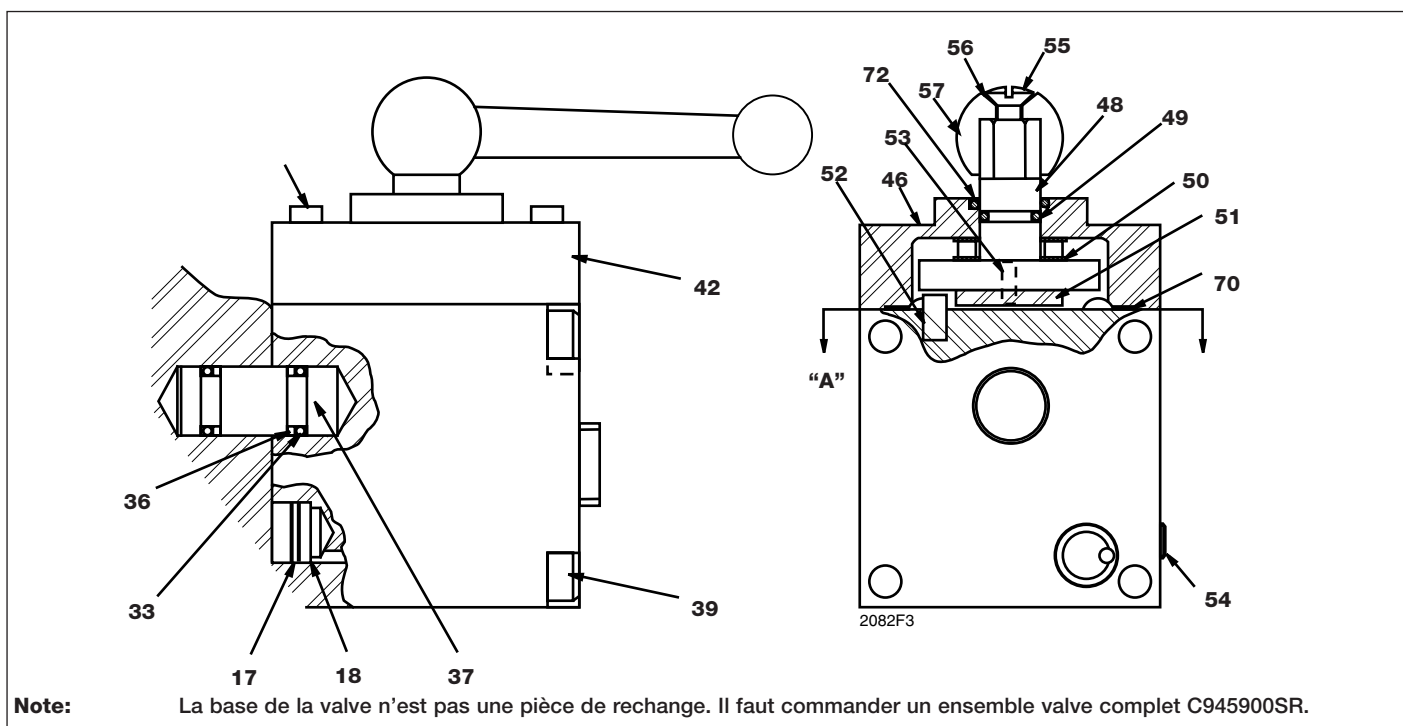


Figure 2, tête de pompe

Liste pièces de rechange pour figure 2				
Pièce n°	Modèle P-80, 1006	Modèle P-84	Quantité	Description
10	A8613900SR	A8613900SR	1	Valve limitation pression (comprend pièce 38)
16	★ B1006016	† B1006016	2	Bille 7/32"
21	★ B159167	† B159167	4	Joint
25	C960900SR	C960900SR	1	Valve de dérivation (comprend pièce 21)
27	CL655950SR		1	Valve limitation pression (comprend pièces 28, 29, 30)
31	★ S1183	† S1183	2	Ressort
32	★ B1009016	† B1009016	2	Bille 5/16"
34	B249185SR	B249185SR	1	Bouchon valve (comprend pièces 21, 31, 32, 16)
35	DA2526006SR	DA2526006SR	1	Bouchon valve (comprend pièces 16, 21, 31, 32,)

★ Pièces comprises dans le kit de réparation P80K4. (Kits Viton : P80KV3 pour P-80).

★ Pièces comprises dans le kit de réparation P84K3. (Kits Viton : P84K3V pour P-84).



Liste pièces de rechange pour figure 3

Pièce n°	Modèle P-84	Quantité	Description
17	★★†CJ416041	1	Bague d'étanchéité
18	† B1084108	1	Rondelle
33	† B1008503	2	Joint torique
36	† B1110564	2	Rondelle support
37	C952270SR	1	Connecteur
39	B1025028	4	Capuchon vis
42	C945900SR	1	Ensemble valve à 4 voies (comprend pièces 17, 18, 33, 36)
46	C934162SR	1	Capuchon corps de valve (comprend pièce 70)
47	B1332028	4	Logement capuchon vis
48	C932071SR	1	Disque (comprend pièces 49, 50, 51, 52, 53)
49	★★ B1007503	1	Joint torique
50	★★ C940155	1	Butée à aiguilles
51	★★ C933561	1	Barre disque
52	★★ C939153	1	Goupille rainure
53	★★ B1049057	2	Goupille ressort
54	★★ A1006245	7	Bouchon de tube
55	★★ P45138	1	Vis
56	★★ P45139	1	Rondelle d'arrêt
57	P6012SR	1	Levier valve de décharge (comprend pièces 55, 56)
70	★★ C957037	1	Joint
72	★★ A1028476	1	Joint d'étanchéité

★★ Pièces comprises dans le kit de réparation C945900K.

† Pièces comprises dans le kit de réparation P84K3. (Kits Viton : P84K3V pour P-84).

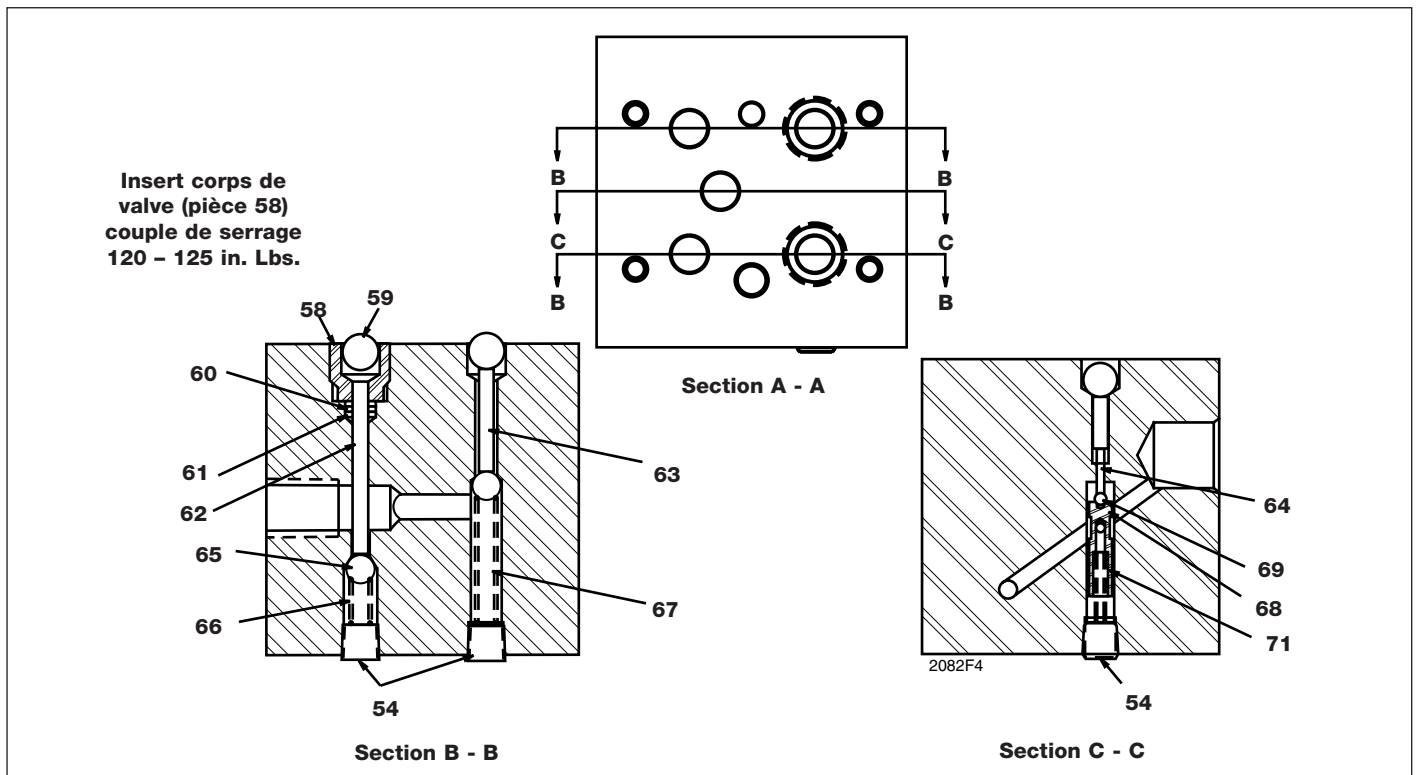


Figure 4, P84 Valve Body

Liste pièces de rechange pour figure 4

Pièce n°	Modèle P-84	Quantité	Description
54	★★ A1006245	7	Bouchon de tube
58	C861439SR	2	Insert corps de valve (comprend pièces 57, 59, 60, 61, 62, 65, 66)
59	★★ B1008016	2	Bille
60	★★ DA5776186	2	Entretoise
61	★★ B1001503	2	Joint torique
62	★★ C864153	2	Tige poussoir
63	★★ C863153	2	Tige poussoir
64	★★ C944153	1	Tige poussoir
65	★★ B1006016	4	Bille
66	★★ C830110	2	Ressort
67	★★ C955110	2	Ressort
68	F4570SR	1	Ensemble ressort capuchon bille comprend pièces 64, 67, 71)
69	★★ B1002016	1	Bille
71	★★ DA5769110	1	Ressort

★★ Pièces comprises dans le kit de réparation C945900K.

† Pièces comprises dans le kit de réparation P84K3. (Kits Viton : P84K3V pour P-84).

◆ internet: www.enerpac.com

◆ e-mail: info@enerpac.com

Enerpac Worldwide Locations

<p>Australia and New Zealand Actuant Australia Ltd. P.O. Box 6867, Wetherill Park, NSW 1851 Block V Unit 3, Regents Park Estate 391 Park Road, Regents Park NSW 2143 Australia T +61 287 177 200 F +61 297 438 648</p>	<p>Japan Enerpac Co., Ltd. Besshocho 85-7 Kita-ku, Saitama-shi 331-0821, Japan T +81 48 662 4911 F +81 48 662 4955</p>	<p>Middle East, Egypt and Libya ENERPAC Middle East FZE Plot M00737m 1242nd Street Jebel Ali Free Zone North P.O. Box 18004, Dubai United Arab Emirates T +971 (0)4 8872686 F +971 (0)4 8872687</p>	<p>Norway Sales Office Norway Unit 524, Nydalsveien 28, 0484 Oslo P.O. Box 4814, Nydalen 0422 Oslo Norway Tel: +47 91 578 300</p>	<p>Russia Rep. office Enerpac Russian Federation Admiralia Mäkarova Street 8 125212 Moscow, Russia T +7 495 98090 91 F +7 495 98090 92</p>	<p>Southeast Asia, Hong Kong and Taiwan Actuant Asia Pte Ltd. 83, Joo Koon Circle Singapore 629109 T +65 68 63 0611 F +65 64 84 5669 Toll Free: +1800 363 7722</p>	<p>South Korea Actuant Korea Ltd. 3Ba 717, Shihwa Industrial Complex Jungwang-Dong, Shihung-Sih, Kyunggi-Do Republic of Korea 429-450 T +82 31 434 4506 F +82 31 434 4507</p>	<p>Spain and Portugal ENERPAC SPAIN, S.L. Avda. Valdeparra N° 27 3ª - L8 28108 Alcobendas (Madrid), Spain T +34 91 884 86 06 F +34 91 884 86 11</p>	<p>Sweden, Denmark Finland and Iceland Enerpac Scandinavia AB Kopparrundsvägen 14, 721 30 Västerås Sweden T +46 (0) 771 41 50 00</p>			
<p>Brazil Power Packer do Brasil Ltda. Rua Luiz Lawrie Reid, 548 09300-760 - Diadema (SP) - Brazil T +55 11 5687 2211 Toll Free: 0800 891 5770</p>	<p>China (Taicang) Actuant (China) Industries Co. Ltd. No.6 Nanjing East Road, Taicang Economic Dep Zone Jiangsu, China T +86 0512 5328 7500 F +86 0512 5335 9690 Toll Free: +86 400 685 0369</p>	<p>France, Switzerland, North Africa and French speaking African countries ENERPAC Une division d'Actuant France S.A.S. Zone Orlytech Bâtiment 516 1 allée du commandant Mouchotte CS-40351 91350 Paray-Vieille-Poste France T +33 1 60 13 68 68 F +33 1 69 20 37 50</p>	<p>Germany and Austria Actuant GmbH P.O. Box 300113 D-40001 Düsseldorf Willstätterstrasse 13 D-40549 Düsseldorf, Germany T +49 211 471 490 F +49 211 471 49 28</p>	<p>India Actuant India Private Limited No. 10, Bellary Road, Sadashivanagar, Bangalore, Karnataka 560 080 India T +91 800 3928 9000</p>	<p>Italy ENERPAC S.p.A. Via Canova 4 20094 Corsico (Milano) T +39 02 4861 111 F +39 02 4860 1288</p>	<p>The Netherlands, Belgium, Luxembourg, Central and Eastern Europe, Baltic States, Greece, Turkey and CIS countries ENERPAC B.V. Galvanisstraat 115, 6716 AE Ede P.O. Box 8097, 6710 AB Ede The Netherlands T +31 318 535 911 F +31 318 535 848</p>	<p>Enerpac Heavy Lifting Technology B.V. Spinestraat 15, 7554 TS Hengelo P.O. Box 421, 7550 AK Hengelo The Netherlands T +31 74 242 20 45 F +31 74 243 03 38</p>	<p>South Africa and other English speaking African countries Enerpac Africa Pty Ltd. No. 5 Bauhinia Avenue Cambridge Office Park Block E Highveld Techno Park Centurion 0157 Republic of South Africa T: +27 12 940 0656</p>	<p>United Kingdom and Ireland ENERPAC UK Ltd. 5 Coopies Field Morpeth, Northumberland NE61 6JR, England T +44 1670 5010 00</p>	<p>USA, Latin America and Caribbean ENERPAC World Headquarters +27 12 P.O. Box 3241 Milwaukee WI 53201-3241 USA N86 W12500 Westbrook Crossing Menomonee Falls, Wisconsin 53051 T +1 262 293 1600 F +1 262 293 7036 User inquiries: T +1 800 433 2766 Distributor inquiries/orders: T +1 800 558 0530 F +1 800 628 0490</p>	<p>All Enerpac products are guaranteed against defects in workmanship and materials for as long as you own them. For the location of your nearest authorized Enerpac Service Center, visit us at www.enerpac.com</p>