

Contents:

Figure 1 - Pump Side View	2	Figure 9 - Shroud Wiring-Left of Motor	5
Figure 2 - Pump Front View (shroud removed).....	2	Figure 10 - Shroud Wiring-Right of Motor.....	5
Figure 3 - Valve and Manifold Assembly	2	Figure 11 - Top View, Cord and Cables	6
Figure 4 - Pump Bottom View	2	Figure 12 - Pendant Assembly	7
Figure 5 - Pump Front View (assembled)	3	Figure 13 - Electrical Schematic, PUM Models.....	8
Figure 6 - Pump Top View	4	Figure 14 - Electrical Schematic, PUJ Models (115V).....	8
Figure 7 - Shroud Wiring-Behind Motor	5	Figure 15 - Electrical Schematic, PUJ Models (230V).....	9
Figure 8 - Shroud Wiring-Front of Motor	5		

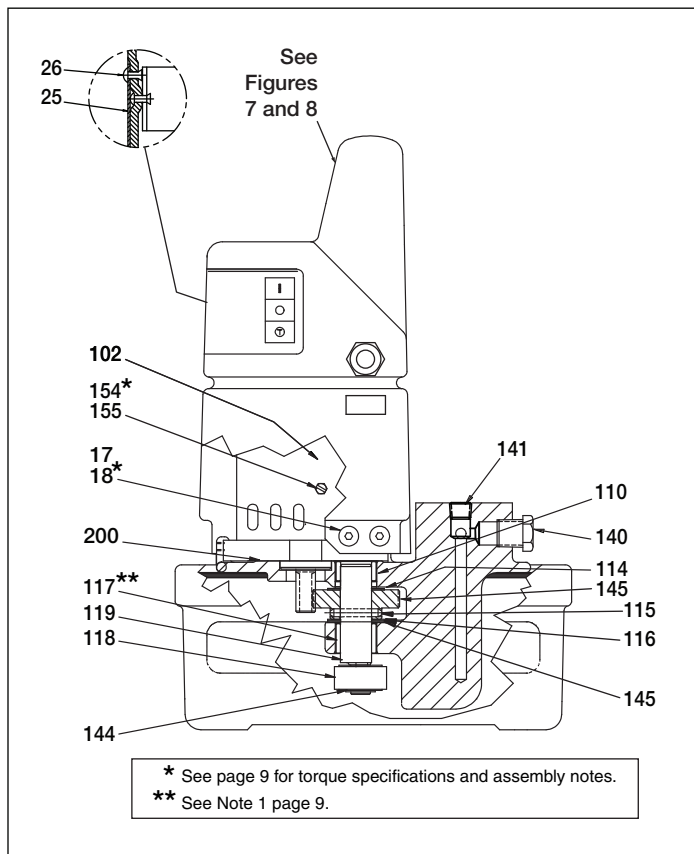


Figure 1, Pump Side View

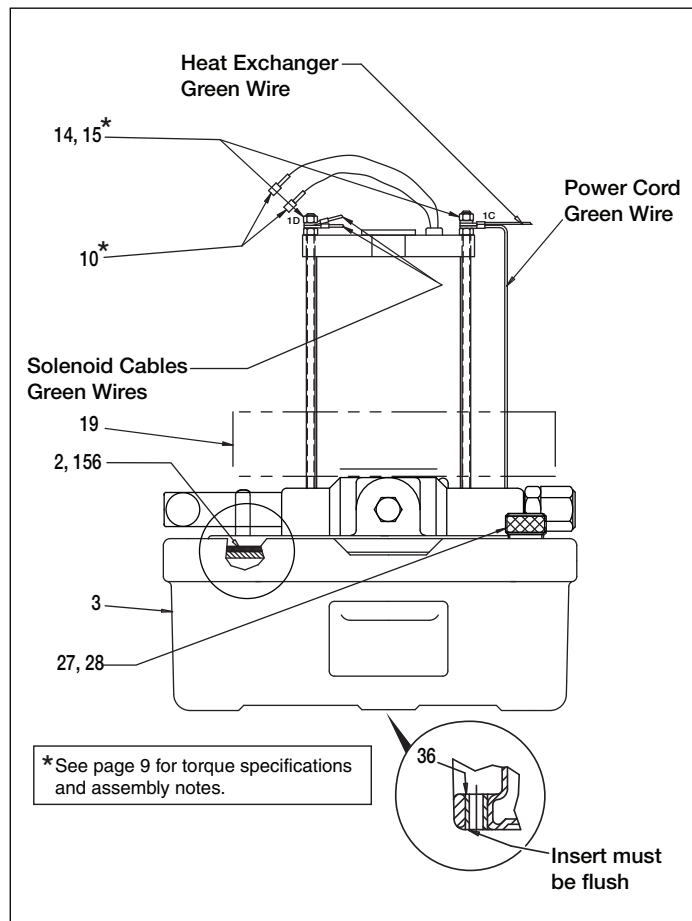


Figure 2, Pump Front View (shroud removed)

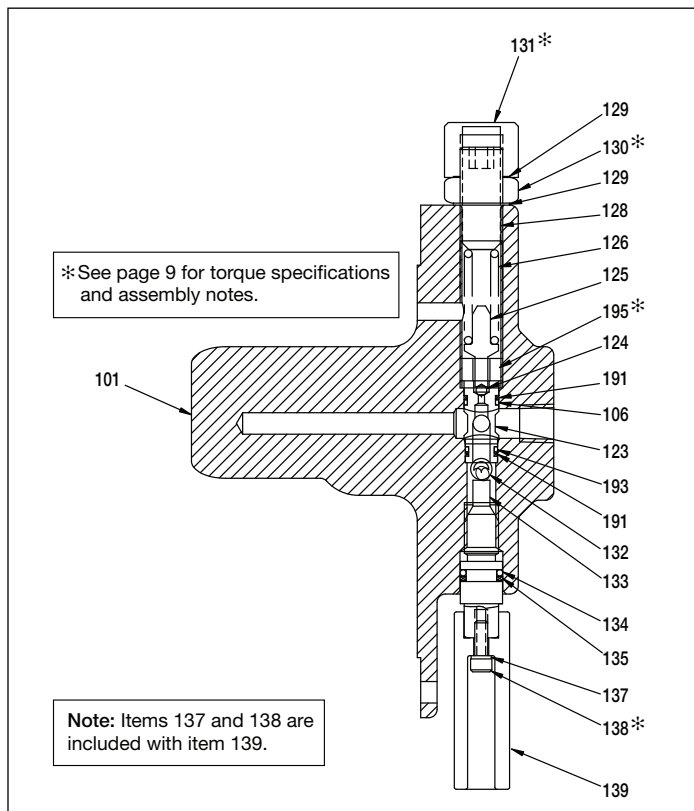


Figure 3, Valve and Manifold Assembly

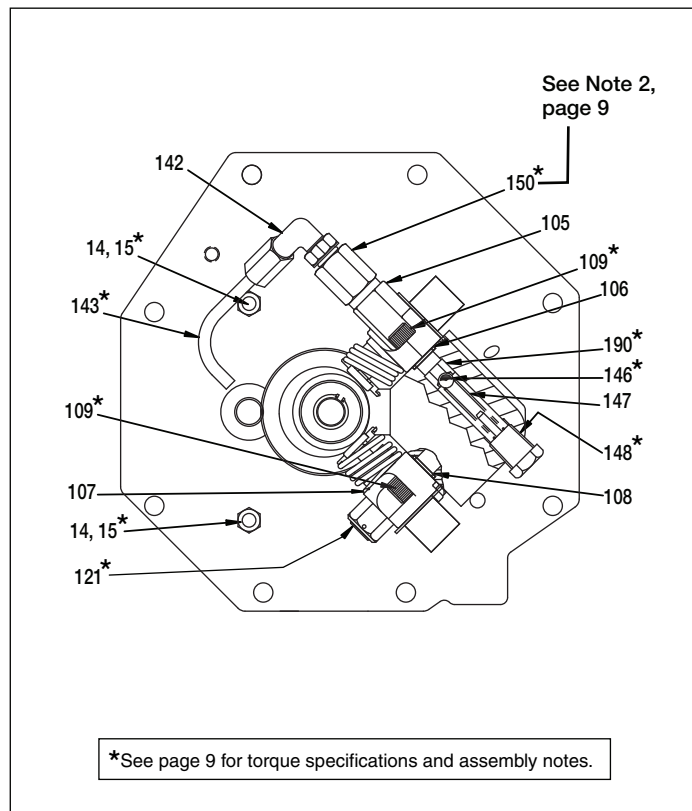


Figure 4, Pump Bottom View

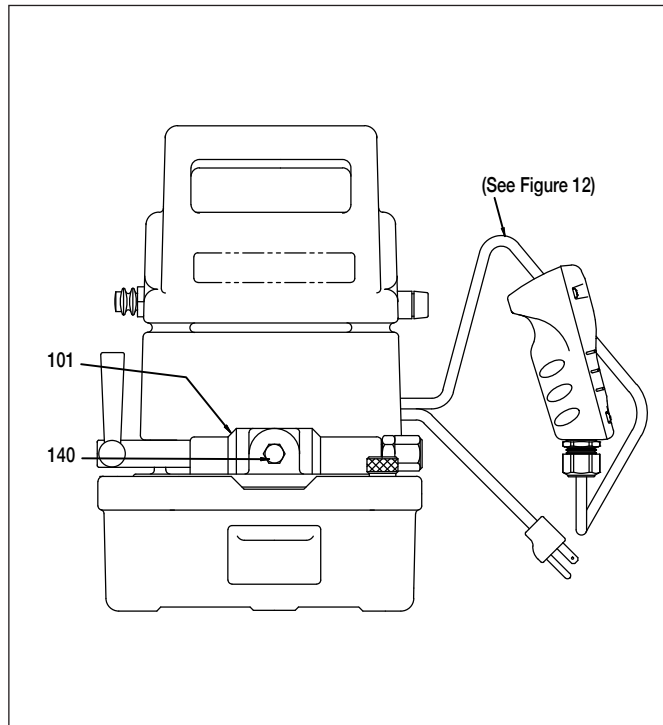


Figure 5, Pump Front View (assembled)

Repair Parts List for Figures 1 through 5

Item	Part Number	Qty.	Description
2	★DA12088167SR	1	Gasket (Includes item 156)
3	DA1910900SR	1	Reservoir Assembly. 0.5 Gal.
	DA4780900SR	1	Reservoir Assembly. 1.0 Gal.
10	DA3776006	2	Pin
14	DA15066	3	Lock Washer
15	B1018121	3	Hex Nut
17	CW261225	6	Eyelet
18	F866028	6	Machine Screw
19	CW259298	1	Baffle
25	Contact Enerpac	1	Nameplate
26	DC818003	4	Pop Rivet
27	DA608024	1	Vent Plug
28	★B1906503	1	O-Ring
36	DA931225	2	Insert
101	DA12486840SR	1	Pump Manifold (includes # 121)
102	CW179259	1	115 VAC Motor
	DC1415259	1	230 VAC Motor (50 Hz)
105	DD1449051SR	1	Piston Block Assembly, 14mm
106	★B1007503	1	O-Ring
107	DD1450051SR	1	Piston Block Assembly, 6mm
108	★B1012803	1	O-Ring
109	B1010028X	4	Screw
110	CW252107	1	Bearing
114	CW301228	1	Driven Gear
115	★B1097057	1	Spring Pin
116	★CW199107	1	Bearing
117	CW251107	1	Bearing
118	CW302107	1	Bearing
119	CW303104	1	Shaft
121	DA5999900SR	1	Relief Valve (see Figure 4)
123	★DA12199290	1	Ball Seat Insert
124	★B1004016	1	Ball (0.156 in. dia.)
125	DC990900	1	Ball Guide

★ Included in Repair Kit PUJ1200BK1

Item	Part Number	Qty.	Description
126	★A109164	1	Compression Spring
128	DA252028	1	Adjusting Screw
129	★S1167	1	Gasket
130	CW306055	1	Lock Nut
131	CW307055	1	Cap Nut
132	★B1009016	1	Ball (0.312 in. dia.)
133	C790010SR	1	Stem
134	★B1111203	1	O-Ring, Viton
135	★B1111564	1	Washer
137	B1086066	1	Lockwasher
138	B1323028	1	Screw, Socket Head
139	DA544070SR	1	Handle (includes items 137 & 138)
140	R515245-2	1	Plug
141	A1016245	1	Plug
142	DA1011096	1	Elbow
143	DA261268	1	Tube
144	★CW467044	1	Retaining Ring
145	★DA445107	2	Bearing
146	★B1007016	1	Ball
147	★DA1564110	1	Spring
148	DC433950	1	Plug Assembly
150	DA610900SR	1	Relief Valve Assembly
154	★CU876028	3	Screw (10-24)
155	DA3585186	3	Spacer
156	See item 2	1	Gasket
190	DA12352290	1	Ball Seat
191	★B1012565	2	Washer, Back-up
193	★DC19503	1	O-Ring
195	DC866027	1	Lock Screw
200	★DC1947167	1	Gasket

Replacement Brushes for Electric Motor

- - -	DA9655380	1	Brush Set for 115V Models
- - -	DA9656380	1	Brush Set for 230V Models

* See page 9 for torque specifications and assembly notes.

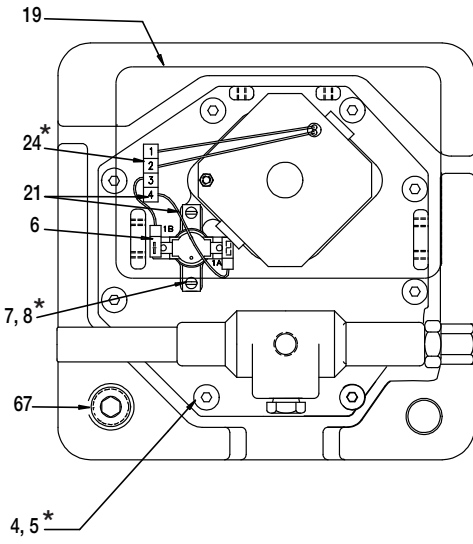


Figure 6, Pump Top View

Repair Parts List for Figure 6

Item	Part Number	Qty.	Description
4	DA6954167	8	Gasket
5	DC2038028	8	Screw
6	E1100004	1	Thermostat, 115V
	DC8401372	1	Thermostat, 230V
7	C701222	2	Washer
8	M642028	2	Screw
19	CW259298	1	Baffle
21	DC7969960	2	Wire Assembly
24	DA11540380	1	Pin Housing
67	A1009245	2	Plug

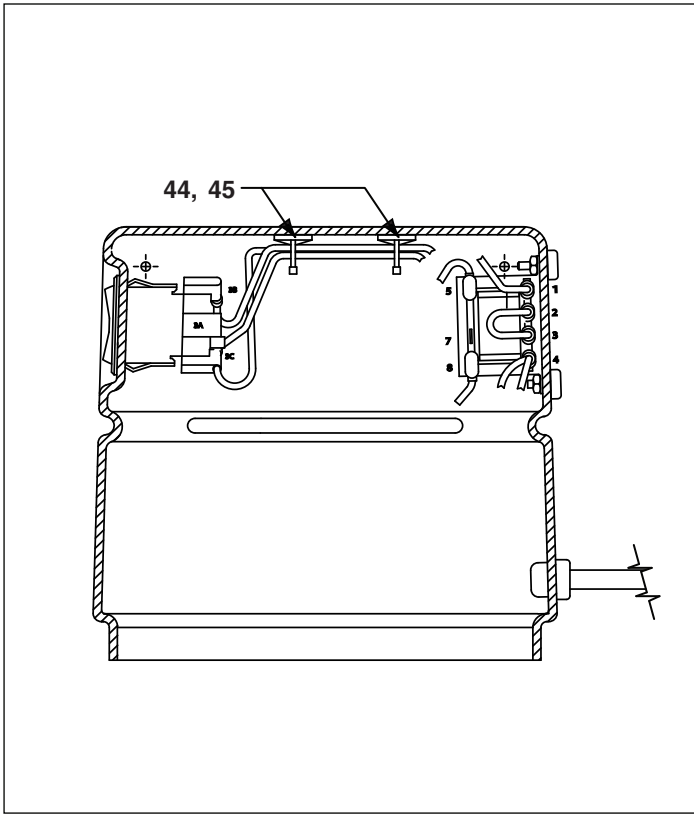


Figure 7, Shroud Wiring - Behind Motor

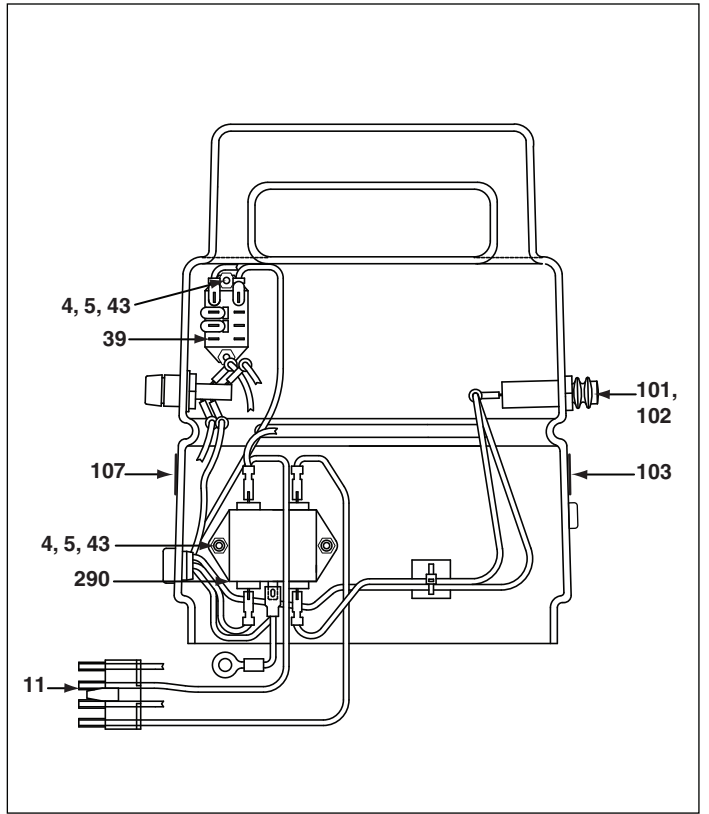


Figure 8, Shroud Wiring - Front of Motor

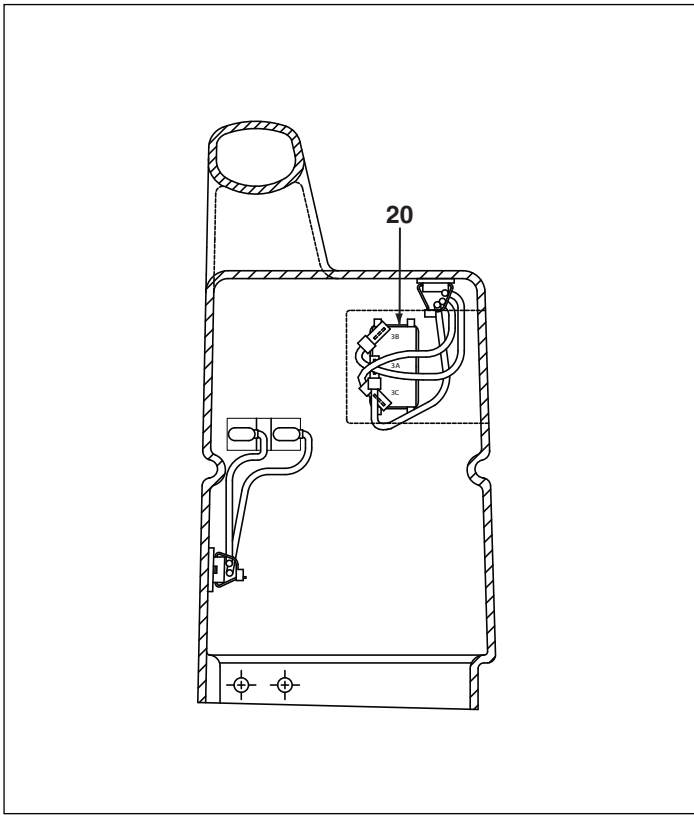


Figure 9, Shroud Wiring - Left of Motor

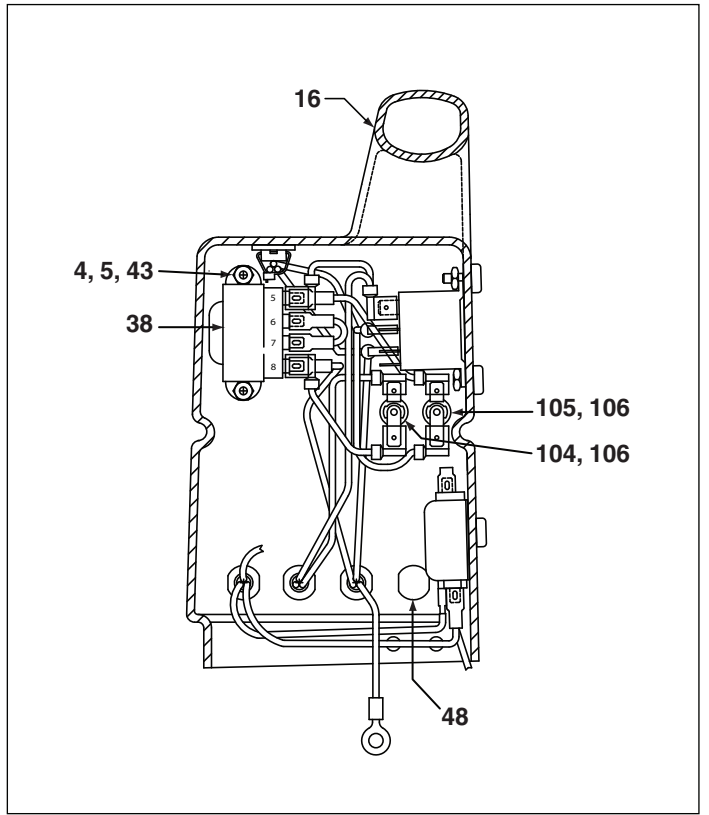


Figure 10, Shroud Wiring - Right of Motor

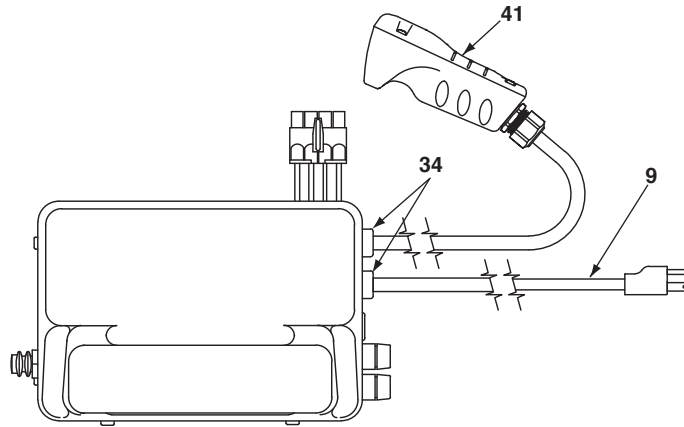


Figure 11, Top View, Cord and Cables

Repair Parts List for Figures 7 through 11

Item	Part Number	Qty.	Description	Item	Part Number	Qty.	Description	
4	BC1310728	4	Screw (115V)	41	(See Fig. 12)	1	Pendant Assy - PUJ Only	
	BC1310728	6	Screw (230V)	43	DA5974098	4	Screw Cover (115V)	
5	F75021	4	Lock Nut #6-32 (115V)		DA5974098	6	Screw Cover (220V)	
	F75021	6	Lock Nut #6-32 (230V)	44	EHC3901075	3	Tie Down, Self Adhesive	
9	DC7954960SR	1	Power Cord (115V)	45	DA3131217	4	Cable Tie	
	DD5840960SR	1	Power Cord (230V)	101	DC8366380	1	Circuit Breaker (115V)	
11	DA11539380	1	Receptacle		DC8367380	1	Circuit Breaker (230V)	
	16	DC10035098	1	Shroud - PUM Models	102	DC8200380	1	Circuit Breaker Reset Cap
		DC10037098	1	Shroud - PUJ Models (115V)	103	DC8237023	1	Circuit Breaker Decal
	DC10036098	1	Shroud - PUJ Models (230V)	104	DC8371378	1	Secondary Fuse, 300mA	
20	E1500002	1	Switch	105	DC8370378	1	Primary Fuse, 62mA (115V)	
34	CR759291	2	Cord Bushing		DC8400378	1	Primary Fuse, 40mA (230V)	
38	DA5875380	1	Transformer	106	DC8372378	2	Fuse Holder	
39	DD2668380	1	Relay, D1 - PUJ Only (115V)	107	DC7891026	1	Fuse Decal	
	DC8280980	1	Relay, D1 - PUJ Only (230V)	290	DC8365380	1	EMI Filter (230V only)	

Note: For replacement shroud assembly:

- Model PUM1200B only: Order Repair Kit DC7942900SR.
- PUJ Models, 115V: Order Repair Kit DC7933900SR.
- PUJ Models, 230V: Order Repair Kit DC7934900SR.

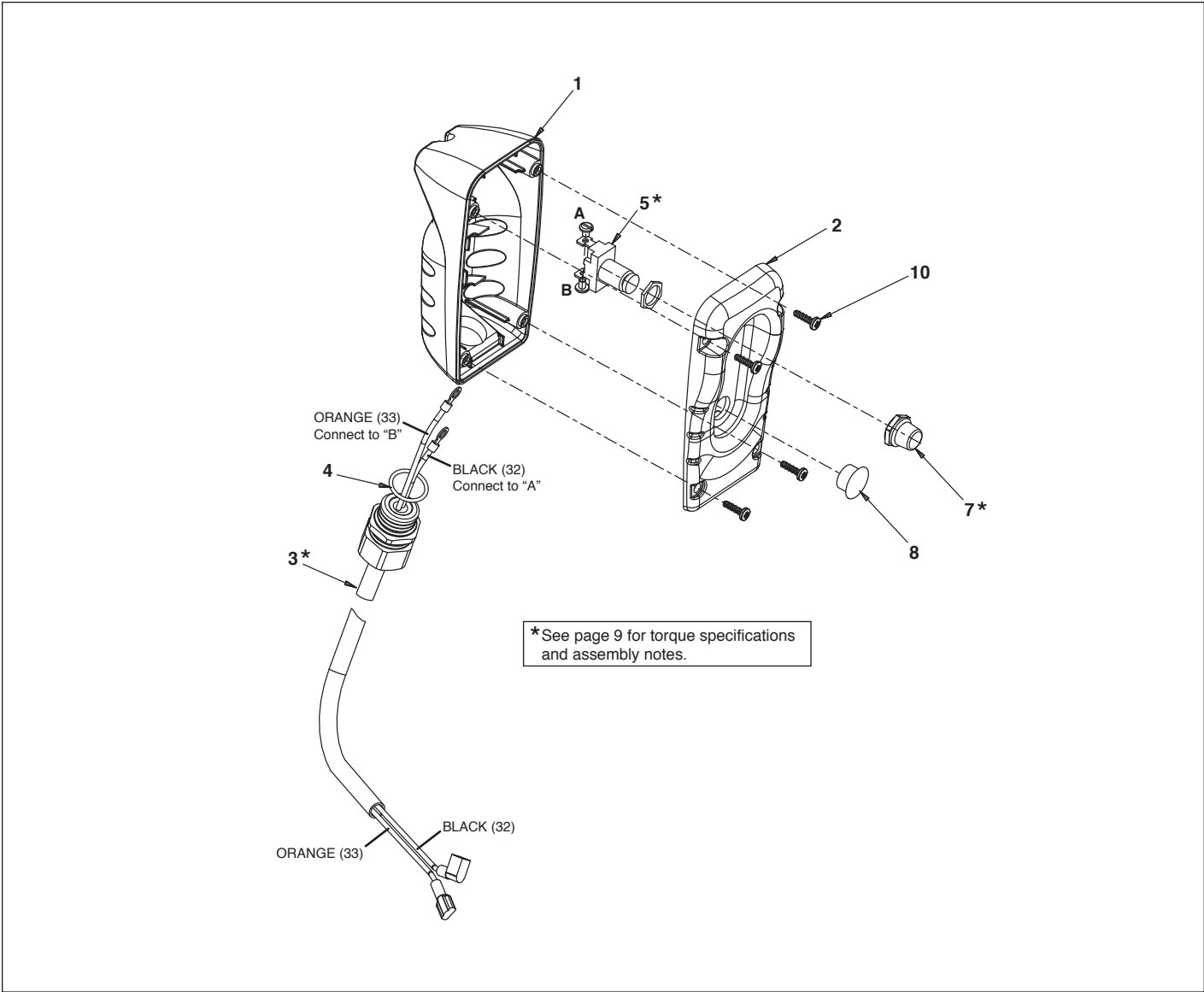


Figure 12, Pendant Assembly

Repair Parts List for Figure 12								
Item	Part Number	Qty.	Description		Item	Part Number	Qty.	Description
1	DC9425424	1	Assembly, Lower Pendant		5	DC8282379	1	Switch, Push Button
2	DC8122424	1	Assembly, Upper Pendant		7	DC8284379	1	Boot, Push Button
3	DD2684960	1	Pendant Cord (115V Models)		8	DC8228009	1	Dome Plug, 1/2"
	DD1053960	1	Pendant Cord (230V Models)		10	DC9428008	4	Screw, Hi-Lo #8 x1/2"
4	B1223503	1	O-Ring					
Complete replacement pendant assembly (includes all items shown in Fig. 12): <ul style="list-style-type: none"> • 115V Models: order Repair Kit DD2686900SR. • 230V Models: order Repair Kit DD1048900SR. 								

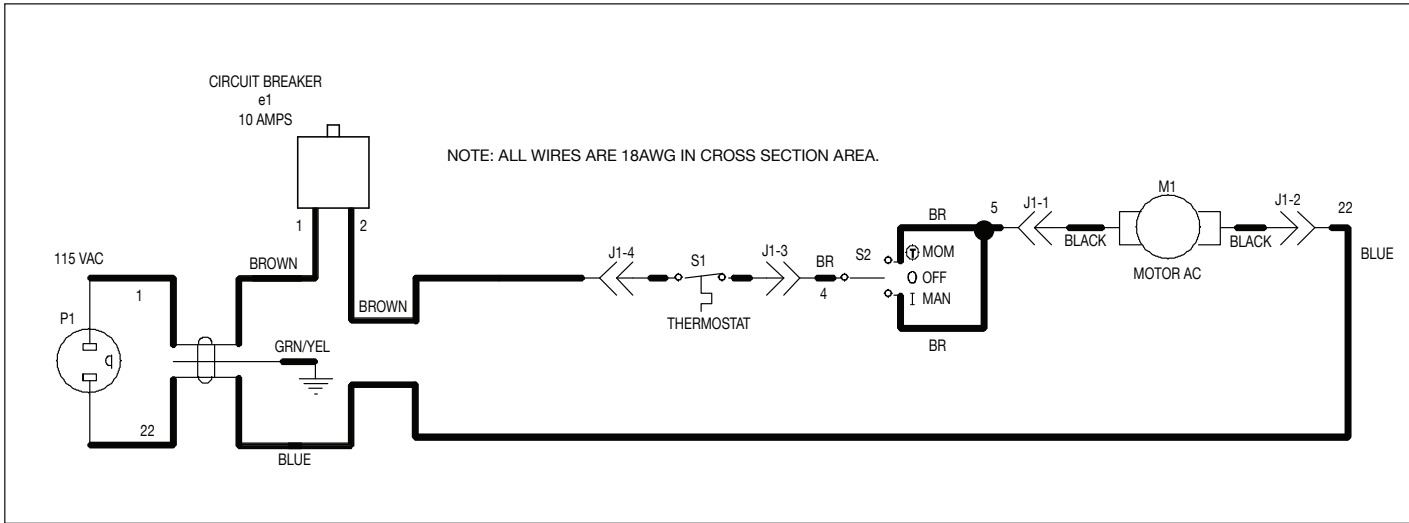


Figure 13, Electrical Schematic, PUM Models

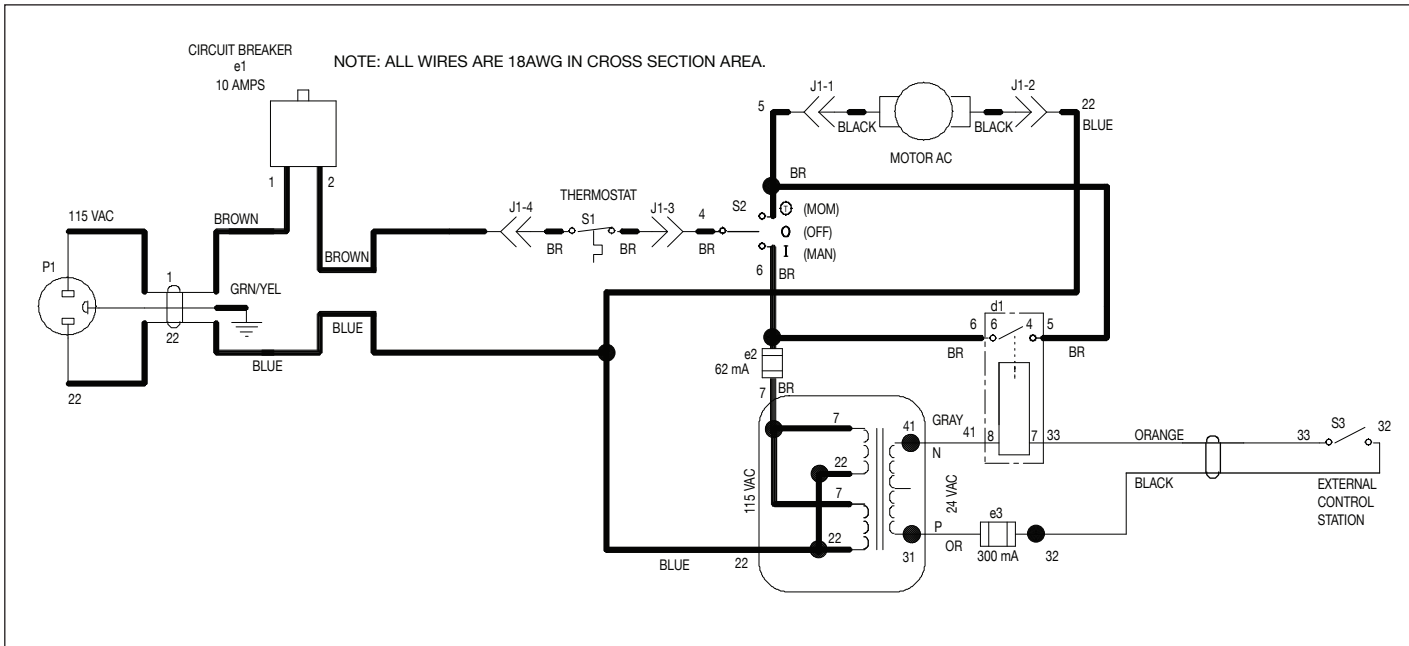


Figure 14, Electrical Schematic, PUJ Models (115V)

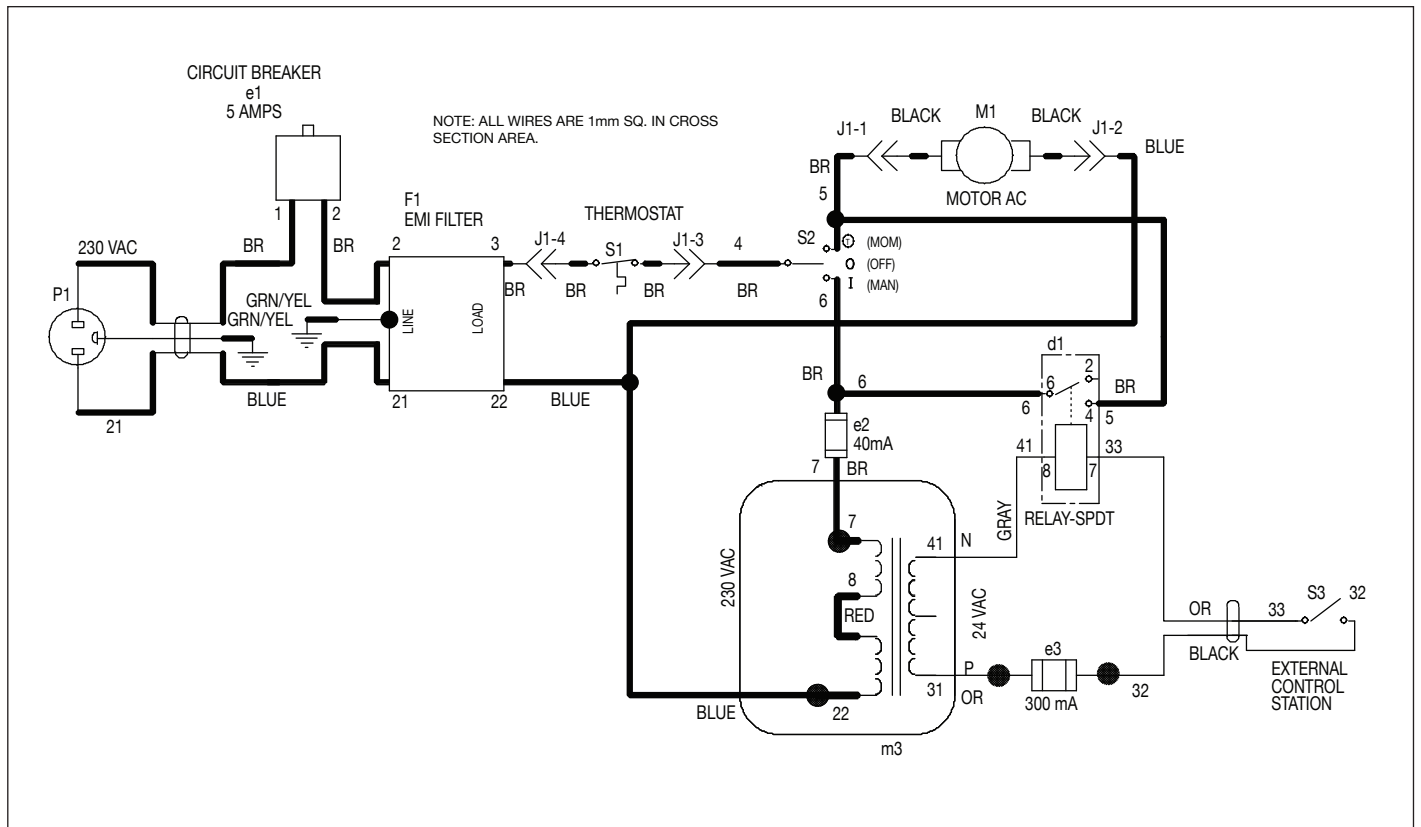


Figure 15, Electrical Schematic, PUJ Models (230V)

Figure	Item No.	Torque Specification and/or Assembly Notes
1	18	Apply 1 drop Loctite #242 to threads. Torque to 12 to 18 in-lbs (1,4 to 2,0 Nm).
1	154	Torque to 27-31 in-lbs (3,1 to 3,5 Nm).
1	Note 1	Install bearing, Item 117, flush to 0.010" (2,54 mm) recessed from surface.
2	10	Trim wire length to 9 to 10 inches (228 - 254 mm) before attaching pins (item 10). Then insert into item 24.
2	15	Torque to 27 to 31 in-lbs, (3,1 to 3,5 Nm).
3	130,131	Torque to 15 to 20 ft-lbs (20 to 27 Nm).
3	138	Torque to 25-30 in-lbs (28,8 to 34,5 cm/kg). Apply Locite 242 to threads before assembly.
3	195	Torque to 6-10 ft-lbs (8,1 to 13,5 Nm).
4	15	Torque to 27-31 in-lbs (3,1 to 3,5 Nm).
4	109	Torque to 14 to 16 ft-lbs, dry (19,0 to 21,7 Nm).
4	121	Torque to 16-19 ft-lbs, dry (21,7 to 25,8 Nm).
4	143	Align tube to face mesh and splash lubricate upper needle bearing.
4	146	Seat must be coined prior to assembly.
4	148	Assemble with Loctite #545.
4	150	Relief valve setting should be from 250 to 400 psi (17,3 to 27,9 bar).
4	190	Assemble with Loctite #609.
4	Note 2	Stake threads after setting pressure.
6	5	Torque to 47-53 in-lbs (5,3 to 6,0 Nm). Use Loctite #242 on item #5.
6	8	Torque to 9-12 in-lbs (1,0-1,3 Nm).
6	24	Attach to receptacle on shroud.
12	3, 5	Connect black wire of pendant cord (labeled "32") to terminal "A" of switch. Connect orange wire of pendant cord (labeled "33") to terminal "B" of switch.
12	5	Torque switch screw terminals to 5.0-5.5 in-lbs (0,56-0,62 Nm) after making connections.
12	7	Torque to 14-16 in-lbs (1,6-1,8 Nm).



199 Gateway Ct.
Columbus, WI 53925, USA