

**10 and 12 Ton**

**25, 30, 50 and 100 Ton**

**150 and 200 Ton**

**1.0 IMPORTANT RECEIVING INSTRUCTIONS**

Visually inspect all components for shipping damage. Shipping damage is **not** covered by warranty. If shipping damage is found, notify carrier at once. The carrier is responsible for all repair and replacement costs resulting from damage in shipment.

**SAFETY FIRST**

**2.0 SAFETY ISSUES**



Read all instructions, warnings, and cautions carefully. Follow all safety precautions to avoid personal injury or property damage during system operation. Enerpac cannot be responsible for damage or injury resulting from unsafe product use, lack of maintenance or incorrect product and/or system operation. Contact Enerpac when in doubt as to the safety precautions and operations. If you have never been trained on high-pressure hydraulic safety, consult your distribution or service center for a free Enerpac Hydraulic safety course.

Failure to comply with the following cautions and warnings could cause equipment damage and personal injury.

A **CAUTION** is used to indicate correct operating or maintenance procedures and practices to prevent damage to, or destruction of equipment or other property.

A **WARNING** indicates a potential danger that requires correct procedures or practices to avoid personal injury.

A **DANGER** is only used when your action or lack of action may cause serious injury or even death.



**WARNING:** Wear proper personal protective gear when operating hydraulic equipment.



**WARNING: Stay clear of loads supported by hydraulics.** A cylinder, when used as a load lifting device, should never be used as a load holding device. After the load has been raised or lowered, it must always be blocked mechanically.



**WARNING: USE ONLY RIGID PIECES TO HOLD LOADS.** Carefully select steel or wood blocks that are capable of supporting the load. Never use a hydraulic cylinder as a shim or spacer in any lifting or pressing application.



**DANGER:** To avoid personal injury keep hands and feet away from cylinder and workpiece during operation.



**WARNING: Do not exceed equipment ratings.** Never attempt to lift a load weighing more than the capacity of the cylinder. Overloading causes equipment failure and possible personal injury. The cylinders are designed for a max. pressure of 10,000 psi [700 bar]. Do not connect a jack or cylinder to a pump with a higher pressure rating.



**Never** set the relief valve to a higher pressure than the maximum rated pressure of the pump. Higher settings may result in equipment damage and/or personal injury.



**WARNING:** The system operating pressure must not exceed the pressure rating of the lowest rated component in the system. Install pressure gauges in the system to monitor operating pressure. It is your window to what is happening in the system.



**CAUTION: Avoid damaging hydraulic hose.** Avoid sharp bends and kinks when routing hydraulic hoses. Using a bent or kinked hose will cause severe back-pressure. Sharp bends and kinks will internally damage the hose leading to premature hose failure.



**Do not** drop heavy objects on hose. A sharp impact may cause internal damage to hose wire strands. Applying pressure to a damaged hose may cause it to rupture.



**IMPORTANT:** Do not lift hydraulic equipment by the hoses or swivel couplers. Use the carrying handle or other means of safe transport.



**CAUTION: Keep hydraulic equipment away from flames and heat.** Excessive heat will soften packings and seals, resulting in fluid leaks. Heat also weakens hose materials and packings. For optimum performance **do not** expose equipment to temperatures of 65°C [150°F] or higher. Protect hoses and cylinders from weld spatter.



**DANGER: Do not handle pressurized hoses.** Escaping oil under pressure can penetrate the skin, causing serious injury. If oil is injected under the skin, see a doctor immediately.



**WARNING: Only use hydraulic cylinders in a coupled system.** Never use a cylinder with unconnected couplers. If the cylinder becomes extremely overloaded, components can fail catastrophically causing severe personal injury.



Distribute the load evenly across the entire saddle surface. Always use a saddle to protect the plunger.



**IMPORTANT:** Hydraulic equipment must only be serviced by a qualified hydraulic technician. For repair service, contact the Authorized ENERPAC Service Center in your area. To protect your warranty, use only ENERPAC oil.



**WARNING:** Immediately replace worn or damaged parts with genuine ENERPAC parts. Standard grade parts will break causing personal injury and property damage. ENERPAC parts are designed to fit properly and withstand high loads.



**WARNING:** On 25 - 200 ton presses, do not load the press with the bed pins located below the press bed. This will put undue stress on the press bed.



**WARNING:** DO NOT modify the press.

### 3.0 INSTALLATION

#### 3.1 Bed Lifting Jack (25-200 Ton Models)

1. The bed lifting jack is shipped loose, not mounted to the frame. See Figure 1.

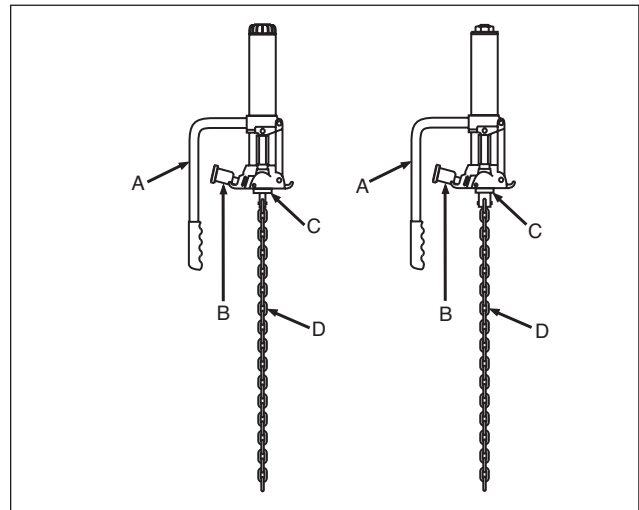


Figure 1. Bed Lifting Jack

- |                  |                  |
|------------------|------------------|
| A. Handle        | C. Plunger       |
| B. Release Valve | D. Lifting Chain |

2. Assemble jack handle with beam pins and cotter pins supplied.
3. Using the nuts, bolts and washers supplied, mount the bed lifting jack on the bracket that is welded to the press frame. Tighten securely.



**WARNING:** Mount the press securely. Unstable positioning may cause the press to tip, resulting in serious personal injury or equipment damage.

If the press is to be mounted to the floor or some other foundation, lower press bed to lowest set of holes before drilling and bolting down. This will insure that the press does not twist and that the bed will line up with all sets of holes in the legs.

#### 3.2 Pump Mounting

1. The pump mounting bracket (if required) is shipped loose, and should be attached to the opposite side of the press from the bed lifting jack.
2. Assemble the pump mounting bracket to the press frame using the 5/8-11 x 1-1/2" bolts, nuts, and washers provided.
3. Figure 2 shows the location of the pump mounting bracket.
4. The table below shows which mounting kit is used with Enerpac pump models. Install the pump on the mounting bracket as shown in Figure 3. Tighten all bolts securely.

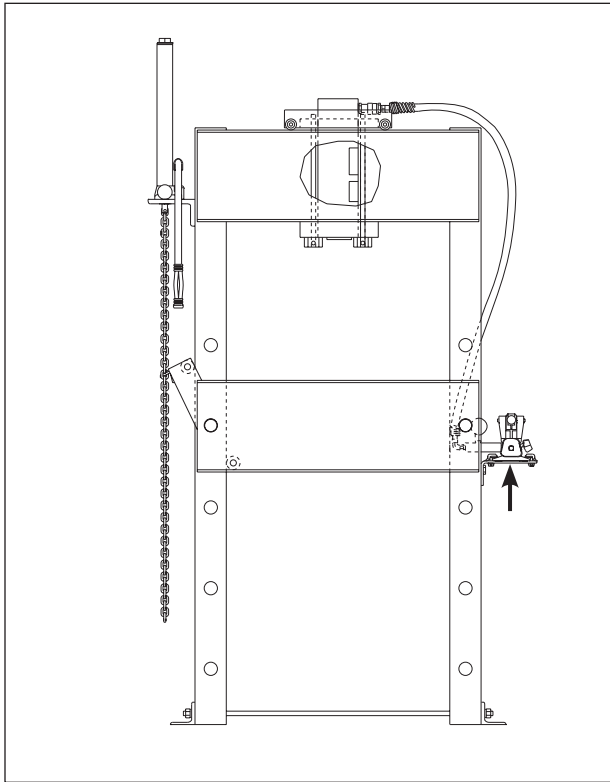
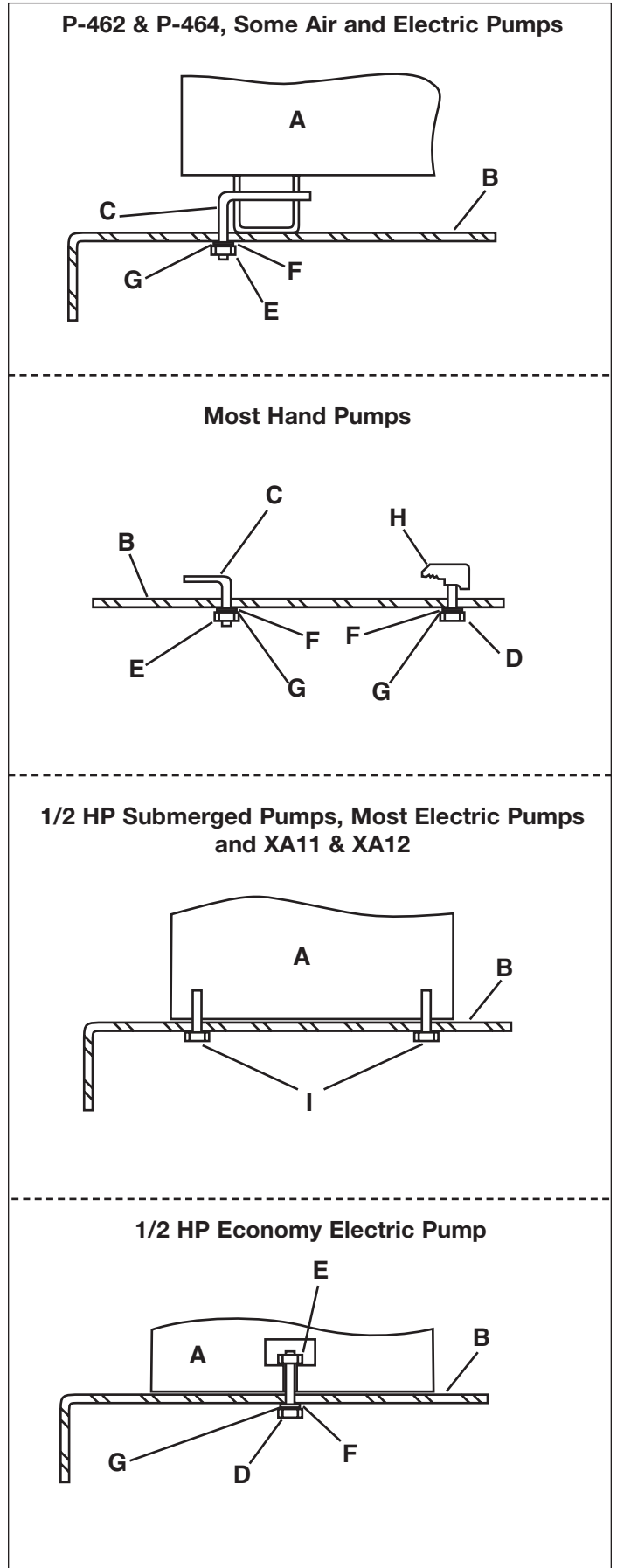


Figure 2. Location of Pump Mounting Bracket

Mounting Kit	PMB-1	PMB-2
Hand Pumps	P-80, P-84, P-142, P39, P-202, P-391, P-392	P-462, P-464
Air Pumps	PA-133, all Turbo Pumps	10 and 90 Series
Electric Pumps		20, 22, 30, 40, and 50 Series



**Legend for Figure 3:**

- A. Pump Reservoir
- B. Pump Mounting Bracket
- C. L Screw
- D. Hex Head Capscrew
- E. Hex Head Nut
- F. Lock Washer
- G. Flat Washer
- H. Bracket
- I. Screw

Figure 3. Installation of Pump on Mounting Bracket

## 4.0 HYDRAULIC CONNECTIONS

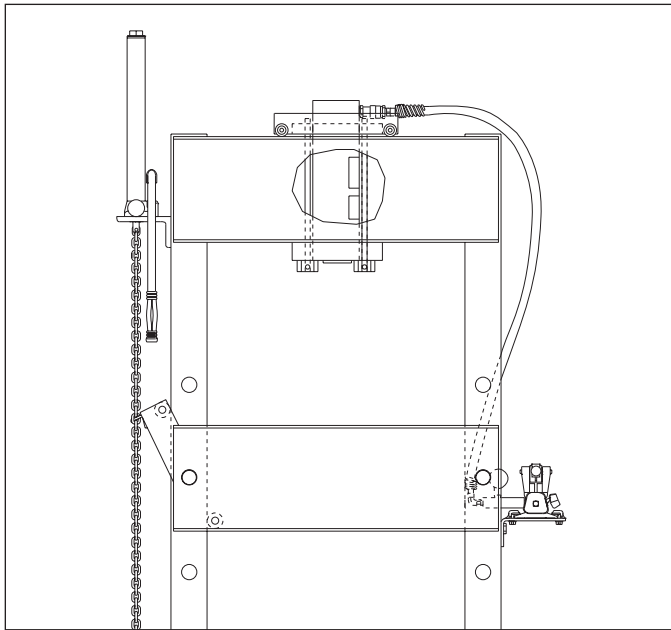


**CAUTION:** Check all hydraulic hoses to be sure that fittings and couplers are tight and leak free. Check hose positions to be sure the hoses are located to avoid damage during press operations. Tighten all connections fully, but not excessively.

### 4.1 Single-Acting Cylinders (See Figure 4)

1. Connect the gauge adaptor to the outlet port of the pump or valve.
2. Attach the gauge to the NPTF gauge port on the gauge adaptor.
3. Connect the 3/8 street elbow to the outlet port of the gauge adaptor.
4. Attach the male threaded end of the hydraulic hose to the 3/8 street elbow.
5. Attach the coupler of the hydraulic hose to the mating coupler on the single-acting cylinder.

**NOTE:** Make sure all couplers are completely engaged.



**Figure 4. Hydraulic Connections for Single-Acting Cylinders**

### 4.2 Double-acting Cylinders (See Figure 5)

1. Connect the gauge adaptor to the appropriate outlet port (refer to following note) of the 4-way valve mounted on the pump. The ports are labeled as follows:

A - Pressure Port - Advance

B - Return Port - Retract

**NOTE:** For pushing - place the gauge in the advance hydraulic line.

For pulling - place the gauge in the retract hydraulic line.

2. Attach the gauge to the NPTF gauge port on the gauge adaptor.
3. Connect the 3/8 street elbow to the outlet port of the gauge adaptor. Connect the second 3/8 street elbow

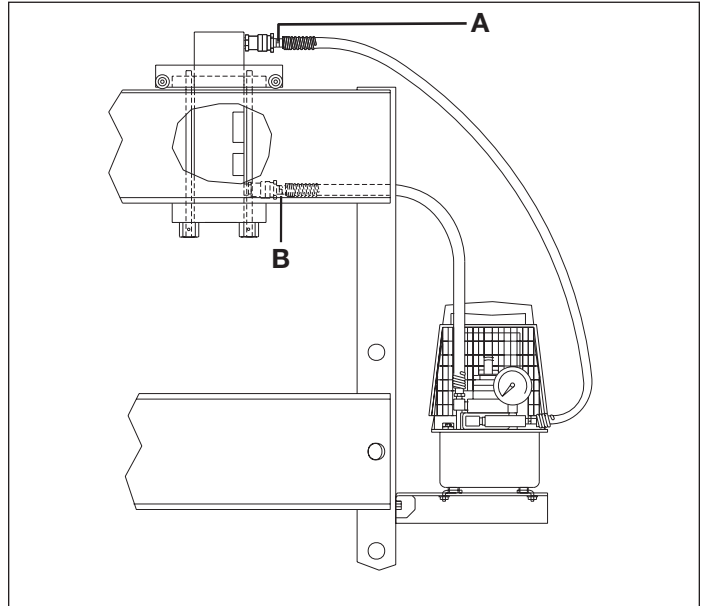
to the remaining port of the 4-way valve.

4. Attach the male threaded end of the two hydraulic hoses to the 3/8 street elbows.
5. Attach the coupler of the advance hydraulic hose to the mating coupler on the double-acting cylinder nearest the base end (A).
6. Attach the coupler of the retract hydraulic hose to the mating coupler on the double-acting cylinder nearest the plunger end (B).

**NOTE:** Make sure all couplers are completely engaged.

## 5.0 PRESS BED ADJUSTMENT

### 5.1 10 & 12 Ton Models



**Figure 5. Hydraulic Connections for Double-Acting Cylinders**

To raise or lower the press bed, lift the bolster so that its weight no longer rests on the bolster pins. Pull out the bed pins, located below the bolster. Raise or lower the bolster to the desired height and re-install bolster pins below it.

### 5.2 25-200 Ton Models

#### Raising (and Lowering) the Press Bed



**WARNING:** Keep hands away from the press bed/bolster and frame when repositioning bed/bolster with the lifting jack.



**WARNING:** Remove all items from the press bed/bolster before raising or lowering bed/bolster.

1. To raise the press bed, open the release valve on the lifting jack and pull the plunger down to fully extend the jack. (If lowering the press bed, push jack plunger up until fully retracted).
2. Slide chain into the lifting hook on press bed as shown in Figure 6. Install clinch pin (50, 100, 150 and 200 ton models only).

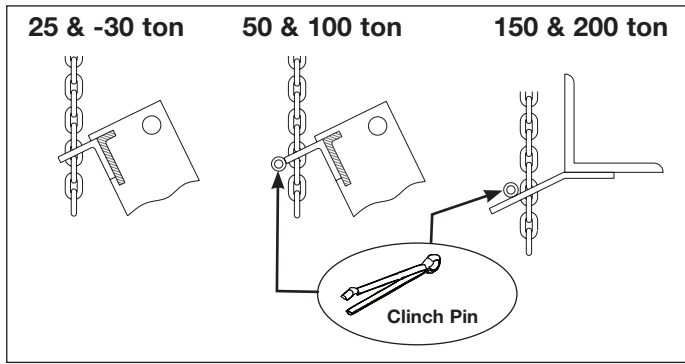


Figure 6, Chain and Lifting Hook.

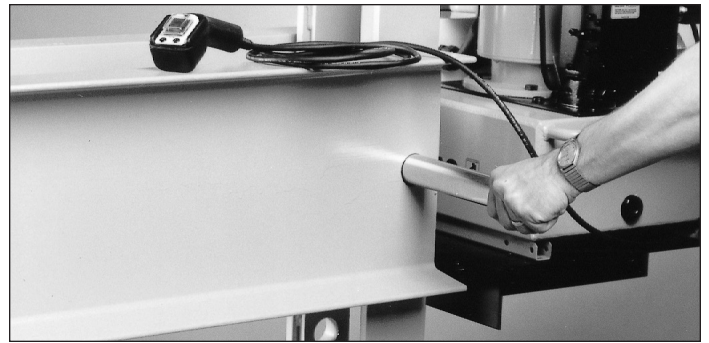


Figure 9



**WARNING:** Make sure that the lifting chain is fully and securely engaged with the lifting hook prior to repositioning the press bed. On 50, 100, 150 and 200 ton models only, be certain that clinch pin is installed.

3. Remove retaining rings or O-rings from the back side of the bed pins.
4. Close release valve on bed lifting jack.
5. Pump bed lifting jack until bed pin on same side as chain becomes loose.
6. Twist and pull to remove bed pin.
7. Pump bed lifting jack until the remaining bed pin becomes loose. See Figure 7.
8. Twist and pull to remove the remaining bed pin. See Figure 8.
9. Continue to pump bed lifting jack until lowest press bed hole aligns with hole in press frame. The lowest



Figure 7

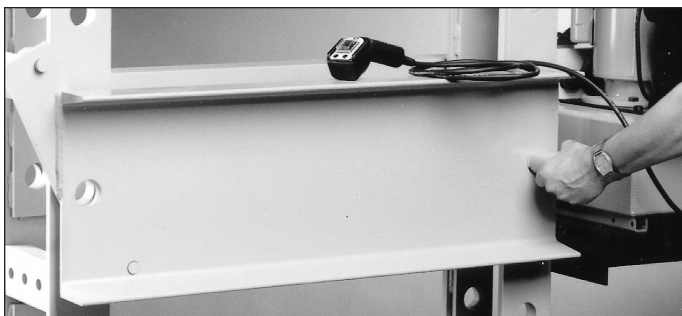


Figure 8

press bed hole will always be on the opposite side of the press from the lifting chain. Insert bed pin. See Figure 9. (If lowering the press, slowly open release valve on lifting jack, lowering press bed until lowest press bed hole aligns with hole in press frame. Close release valve and insert bed pin.)

10. Slowly open release valve on bed lifting jack, lowering press bed until remaining press bed pin holes are aligned. Close release valve on bed lifting jack and insert bed pin. See Figure 10.

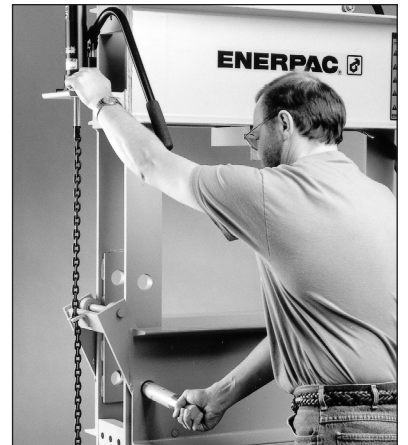


Figure 10

11. Install retaining rings or O-rings on back side of bed pins.
12. Open release valve on bed lifting jack.
13. Disconnect chain from lifting hook to prevent inadvertent loading of the chain.

## 6.0 OPERATION

### 6.1 System Set-up



**WARNING:** Check all press set-ups and load fixtures for safe operation.

Center the work piece and all parts of the set-up on the line of force. If spacers are used in the set-up, they should be constructed in one solid piece or tack welded together for stability.



**WARNING:** Before operating the press, make sure all bed support pins are fully inserted and retaining rings are installed on ends of the bolster pins before pressurizing the cylinder or loading the press.

### 6.2 Removing Air From The Hydraulic System

**NOTE:** Air removal will go faster if hose(s) are bled of air before connecting them to cylinder port(s).

Advance and retract the cylinder several times, avoiding pressure build-up. Air is fully removed from the system when the cylinder advances and retracts smoothly.

### 6.3 Hand Pumps

1. Close release valve finger tight.
2. Operate the pump handle to build pressure. Pressure will be maintained until the release valve is opened.
3. Open release valve to release pressure.

### 6.4 P462 Pumps

1. Shift valve to advance and operate the pump handle to build pressure.
2. Pressure will be maintained until the valve is shifted to the retract position.

### 6.5 P84 and P464 Pumps

See Figure 11. Position valve lever and operate pump handle to direct flow as follows:

- 1 - To advance the cylinder.
- 3 - To retract the cylinder.
- 2 - To hold pressure, shift valve to position 2.

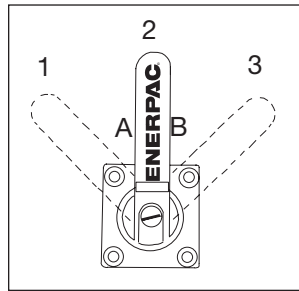


Figure 11

### 6.6 Power Pumps

See Figure 11.

1. To advance the cylinder, shift valve to the advance position and run the pump
2. Shift valve to neutral when desired stroke is reached.
3. To retract the cylinder, shift valve to the retract position and run the pump.

### 7.0 REPOSITIONING THE CYLINDER

#### 7.1 10 & 12 Ton Models: see Figure 12

1. Loosen, DO NOT REMOVE, the capscrews (B) located at the top of the press frame.
2. Slide the cylinder mounting block assembly (A) to the desired position on the press frame.
3. Tighten the capscrews (B).

#### 7.2 25 & 30 Ton Models: see Figure 13

1. Loosen, DO NOT REMOVE, the four stud nuts (C) located at the top of the press frame.
2. Slide the cylinder mounting block assembly (A) to the desired position on the press frame.
3. When cylinder is in the desired location, tighten the nuts (C).

**NOTE:** Positioning the cylinder at the extreme right or left reduces the press capacity of 25 and 30 ton models by one-half (to 12 and 15 tons).

#### 7.3 50-200 Ton Models: see Figure 14

1. Loosen, DO NOT REMOVE, the two tie rod nuts (D) located under the lower cylinder support bracket.
2. Slide the cylinder mounting block assembly (A) to the desired position on the press frame.
3. Tighten tie rod nuts (D) securely when cylinder is in the desired location.

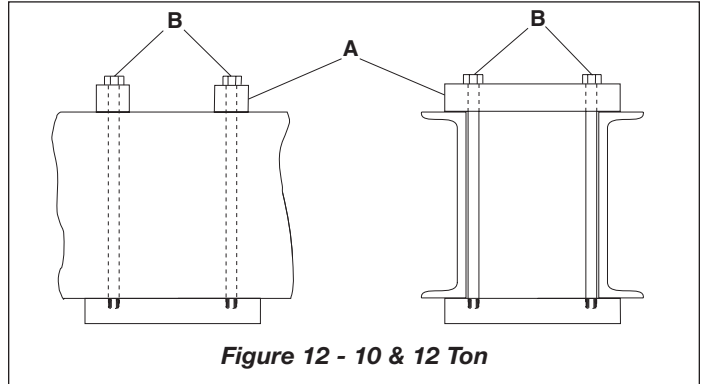


Figure 12 - 10 & 12 Ton

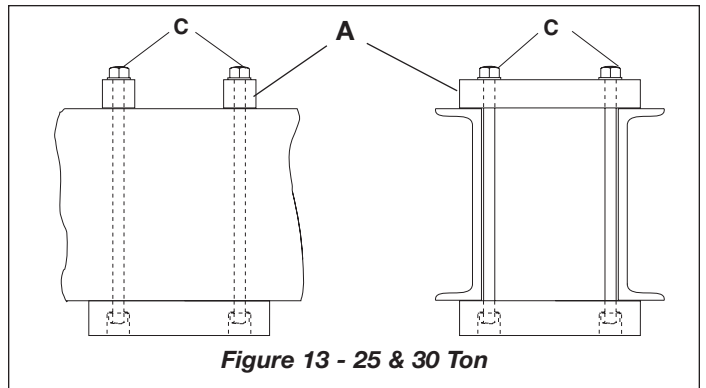


Figure 13 - 25 & 30 Ton

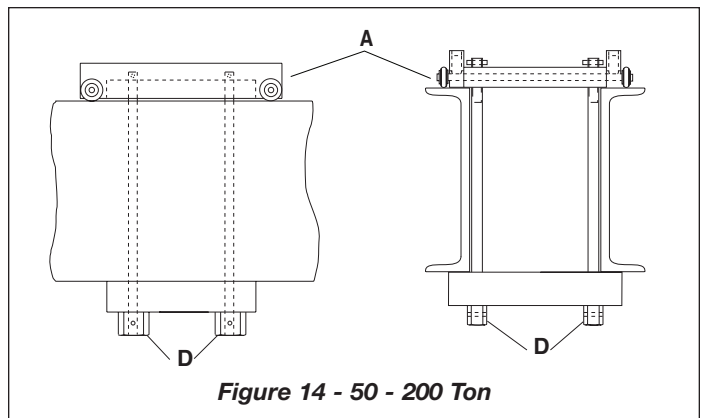


Figure 14 - 50 - 200 Ton

## 8.0 MAINTENANCE

### 8.1 Hydraulic System

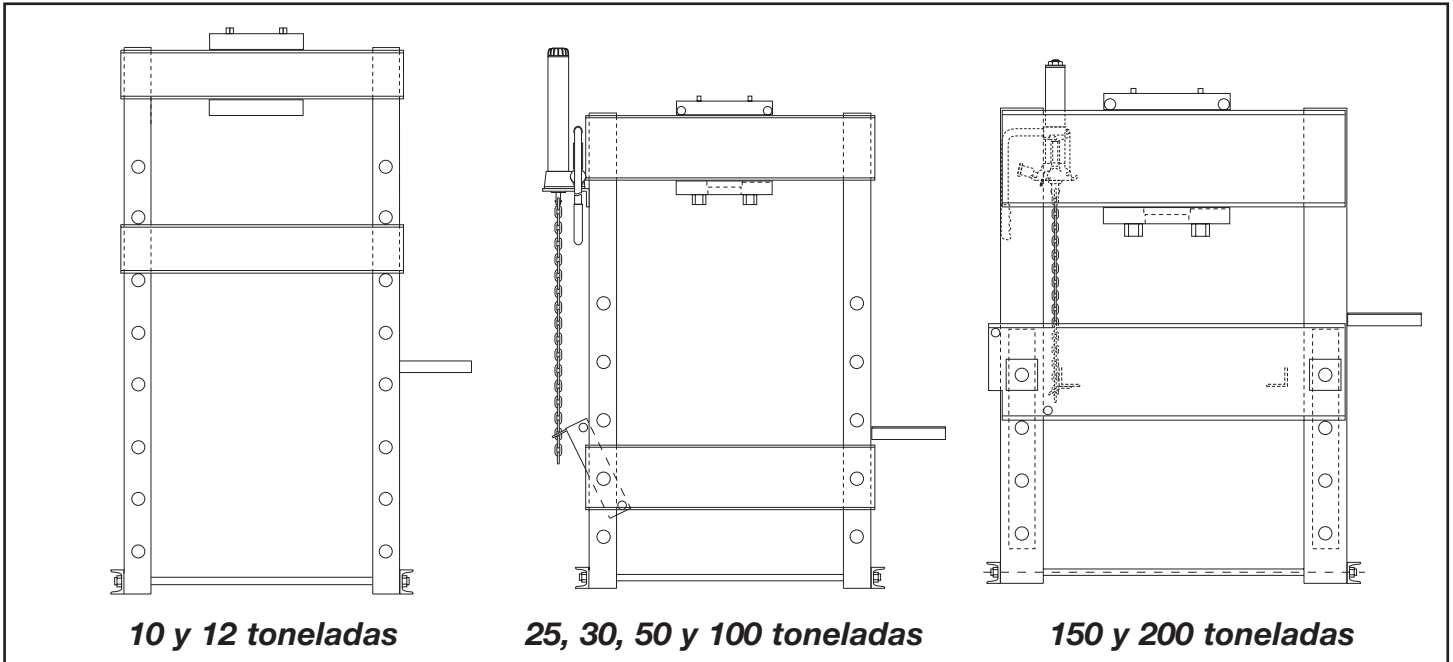
1. Keep all hydraulic components free of dirt, grease and chips.
2. Periodically check hydraulic system for damaged components, loose connections, or leaks. Replace or repair damaged or leaking components immediately.
3. Change hydraulic oil in your system every 50 hours of operation.
4. Use only Enerpac hydraulic oil. Use of fluids other than Enerpac hydraulic oil may cause damage to your system and may void your Enerpac warranty.
5. For complete hydraulic component instructions, refer to the instructions enclosed with your pump and cylinder.

### 8.2 Press Frame

1. Keep work area and press bed free of dirt, chips, and unnecessary tools and fixtures.
2. Periodically check press frame to make sure all bolts are tight and frame parts are undamaged. Replace or repair damaged parts immediately.
3. If the paint becomes badly chipped, the unit should be repainted to prevent rusting and to keep frame appearance neat.

TROUBLESHOOTING		
Problem	Possible Cause	Solution
Cylinder does not advance, advances slowly, or advances in spurts.	Oil level in pump is low. Pump release valve open. Loose hydraulic coupler. Load is too heavy. Air trapped in the system. Cylinder plunger binding.	Add oil according to the pump instructions. Close pump release valve. Check that all couplers are fully tightened. Do not attempt to exert more than rated tonnage. Remove air according to the instructions on page 5. Check for damage to cylinder. Have cylinder serviced by a qualified hydraulic technician.
Cylinder advances, but does not hold pressure.	Leaking connection. Leaking cylinder seals.  Internal leakage in pump.	Check that all connections are tight and leak free. Locate any external leaks and have equipment serviced by a qualified hydraulic technician. Have pump serviced by a qualified hydraulic technician
Cylinder does not retract, retracts part way, or retracts more slowly than normal	Pump reservoir is over-filled.  Loose hydraulic coupler. Air trapped in the system.	Drain oil level to full mark. See pump instructions for adding oil. Check that all couplers are fully tightened. Remove air according to the instructions on page 5.
	<b>Single-acting systems:</b>	
Cylinder does not retract, retracts part way, or retracts more slowly than normal	Pump release valve closed. Cylinder retraction spring broken or other cylinder damage. Cylinder attachments are too heavy for a single-acting cylinder. Coupler not connected fully.	Open pump release valve. Have cylinder serviced by a qualified hydraulic technician. Use a double-acting cylinder to check that all couplers are fully tightened

L2066 Rev. E 06/19



**1.0 IMPORTANTES INSTRUCCIONES DE RECEPCIÓN**

Inspeccione visualmente todos los componentes para verificar si hay daños de envío. Debido a que la garantía **no** ampara daños por envío, si los hubiese, infórmese inmediatamente a la empresa de transportes, puesto que ésta es responsable de todos los gastos de reparaciones o reemplazo que resulten por daños de envío.

**SEGURIDAD PRIMERO**

**2.0 ASPECTOS DE SEGURIDAD**



Lea todas las instrucciones, advertencias y precauciones. Acate todas las precauciones de seguridad para evitar lesiones personales o daños a la propiedad durante la operación del sistema. ENERPAC no puede ser responsable de daños o lesiones que resulten de no usar el producto de forma segura, falta de mantenimiento o aplicación incorrecta del producto y/u operación del sistema. Comuníquese con ENERPAC si tuviese dudas sobre las precauciones de seguridad o sobre las aplicaciones. Si nunca ha sido capacitado en seguridad hidráulica de alta presión, consulte a su distribuidor o centro de servicio para obtener un curso de seguridad gratis denominado ENERPAC Hydraulic.

El no cumplir con las siguientes precauciones y advertencias podría causar daños al equipo y lesiones personales.

Una **PRECAUCIÓN** se utiliza para indicar procedimientos y prácticas de operación o mantenimiento correctos para evitar daños o la destrucción de equipo u otra propiedad.

Una **ADVERTENCIA** indica un potencial peligro que requiere de procedimientos o prácticas correctos para evitar lesiones personales.

Un **PELIGRO** se utiliza sólo cuando su acción o falta de acción podría causar lesiones graves o incluso la muerte.



**ADVERTENCIA:** Use el equipo de protección personal adecuado cuando opere equipo hidráulico.



**ADVERTENCIA:** Manténgase alejado de las cargas soportadas por sistemas hidráulicos. Cuando un cilindro se utiliza como dispositivo para levantar carga, nunca debería usarse como dispositivo para sostener carga. Después de que la carga haya sido levantada o descendida, debe bloquearse siempre en forma mecánica.



**ADVERTENCIA: USE SÓLO PIEZAS RÍGIDAS PARA SOSTENER CARGAS.** Seleccione cuidadosamente bloques de acero o de madera capaces de soportar la carga. Nunca use un cilindro hidráulico como calza o separador en aplicaciones de levantamiento o presión.



**PELIGRO:** Para evitar lesiones personales, mantenga las manos y los pies alejados del cilindro y pieza de trabajo durante la operación.



**ADVERTENCIA:** No sobrepase el valor nominal del equipo. Nunca intente levantar una carga que pese más de la capacidad del cilindro. Las sobrecargas ocasionan fallas del equipo y posibles lesiones personales. Los cilindros están diseñados para resistir una presión máxima de 700 bar. No conecte un gato o cilindro a una bomba cuyo valor nominal de presión es mayor que el indicado.



**Nunca** fije la válvula de seguridad a una presión más alta que el máximo valor nominal de presión de la bomba. Los ajustes más altos pueden resultar en daños al equipo y/o lesiones personales.





**ADVERTENCIA:** La presión de operación del sistema no debe sobrepasar el valor nominal de presión del componente con el valor nominal más bajo en el sistema.

Instale manómetros de presión en el sistema para vigilar la presión de operación. Es su ventana a lo que está sucediendo en el sistema.



**PRECAUCIÓN:** Evite dañar la manguera hidráulica. Evite pliegues y curvas agudos al guiar las mangueras hidráulicas. Usar una manguera con pliegues o curvas puede causar severa contrapresión. Los pliegues y curvas agudos causarán daños internos la manguera, lo que ocasionará que ésta falle prematuramente.



**No** deje caer objetos pesados sobre la manguera. Un impacto directo puede causar daños internos a las hebras de alambre de la manguera. Aplicar presión a una manguera dañada puede ocasionar que se quiebre.



**IMPORTANTE:** No levante el equipo hidráulico por las mangueras o acopladores giratorios. Use el mango de transporte u otros medios para transportarla con seguridad.



**PRECAUCIÓN:** Mantenga el equipo hidráulico alejado de las llamas y el calor. El calor en exceso ablandará las juntas y sellos, lo que resultará en fugas de líquidos. Asimismo, el calor debilita los materiales de la manguera y juntas. Para lograr un rendimiento óptimo, no exponga el equipo a temperaturas de 65°C [150°F] o mayores. Proteja las mangueras y cilindros de salpicaduras de soldadura.



**PELIGRO:** No manipule mangueras bajo presión. El aceite que escape bajo presión puede penetrar la piel y causar lesiones graves. Si se inyecta aceite bajo la piel, consulte a un médico inmediatamente.



**ADVERTENCIA:** Use cilindros hidráulicos únicamente en sistemas acoplados. Nunca use un cilindro si los acopladores no están conectados. Si el cilindro se sobrecarga, los componentes pueden fallar calamitosamente, lo que causaría lesiones personales graves.



Distribuya la carga uniformemente sobre la superficie total del asiento del cilindro. Siempre utilice un asiento para proteger el émbolo cuando no se usen accesorios roscados.



**IMPORTANTE:** Únicamente técnicos calificados en sistemas hidráulicos habrán de prestarle servicio al equipo hidráulico. Comuníquese con el Centro de Servicio ENERPAC autorizado en su zona para prestarle servicio de reparaciones. Use únicamente aceite ENERPAC a fin de proteger su garantía.



**ADVERTENCIA:** Reemplace inmediatamente las piezas gastadas o dañadas por piezas ENERPAC genuinas. Las piezas de clasificación estándar se romperán, lo que causará lesiones personales y daños a la propiedad. Las piezas ENERPAC están diseñadas para encajar debidamente y resistir altas cargas.



**ADVERTENCIA:** En las prensas de 25 - 200 toneladas, no cargue la prensa con los pasadores de banco que se encuentran debajo del banco de la prensa. Esto someterá a esfuerzo no deseado al banco de la prensa.



**ADVERTENCIA:** NO modifique la prensa.

### 3.0 INSTALACIÓN

#### 3.1 Gato de elevación de banco (Modelos de 25-200 toneladas)

1. El gato de elevación de banco se entrega por separado, no montado en el bastidor. Consulte la Figura 1.

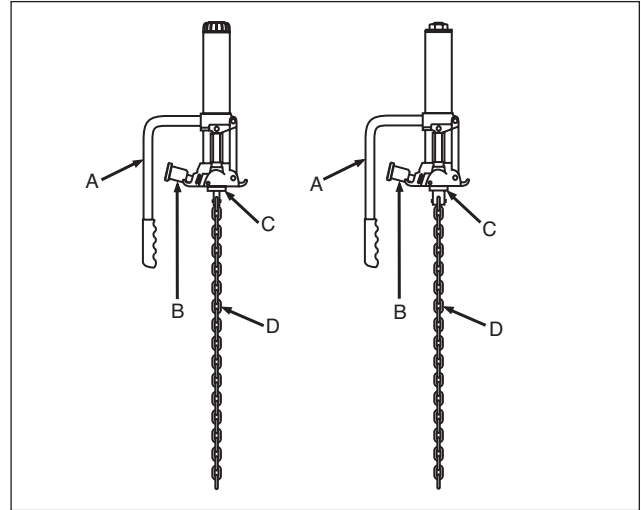


Figura 1. Gato de elevación de banco

A. Mango                      C. Émbolo  
B. Válvula de alivio      D. Cadena de elevación

2. Ensamble el mango del gato con los pasadores de viga y pasadores partidos suministrados.
3. Utilizando tuercas, pernos y arandelas que se suministran, monte el gato de elevación de banco en el soporte que está soldado al bastidor de la prensa. Apriete firmemente.



**ADVERTENCIA:** Monte la prensa firmemente. Una colocación inestable puede causar que la prensa se vuelque, ocasionando lesiones graves o daños al equipo.

Si la prensa se va a montar al piso o a alguna otra cimentación, baje el banco de la prensa hasta el juego de agujeros más bajo antes de perforar y empernar. Esto garantizará que la prensa no se tuerza y que el banco quede alineado con todos los juegos de agujeros en las patas.

#### 3.2 Montaje de la bomba

1. El soporte de montaje de la bomba (si se requiere) se entrega por separado, y debe acoplarse al lado opuesto de la prensa desde el gato de elevación de banco.
2. Instale el soporte de montaje de la bomba al bastidor de la prensa utilizando pernos, tuercas, y arandelas 5/8-11 x 1-1/2" que se suministran.
3. En la Figura 2 se muestra la ubicación del soporte de montaje de la bomba.

4. En la siguiente tabla se muestra el conjunto para montaje que se utiliza con modelos de bomba Enerpac. Instale la bomba en el soporte de montaje como se muestra en la Figura 3. Apriete bien todos los pernos.

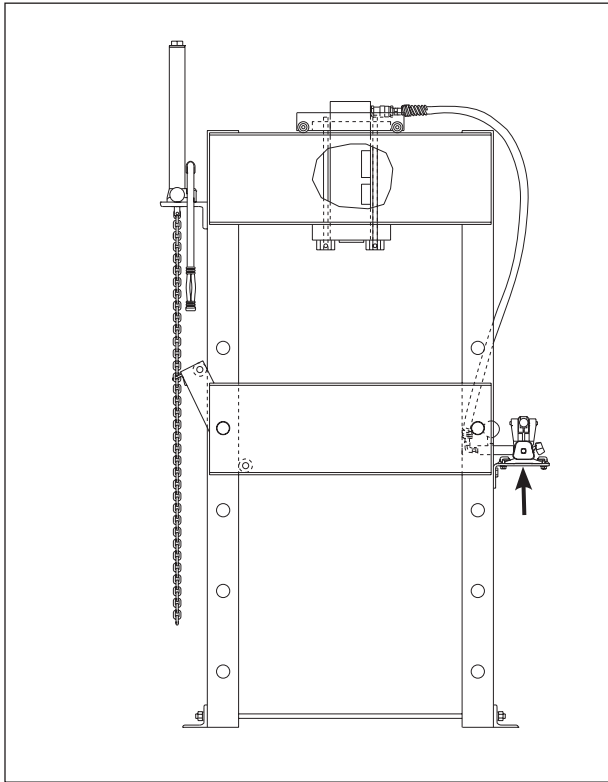


Figura 2. Ubicación del soporte de montaje de la bomba

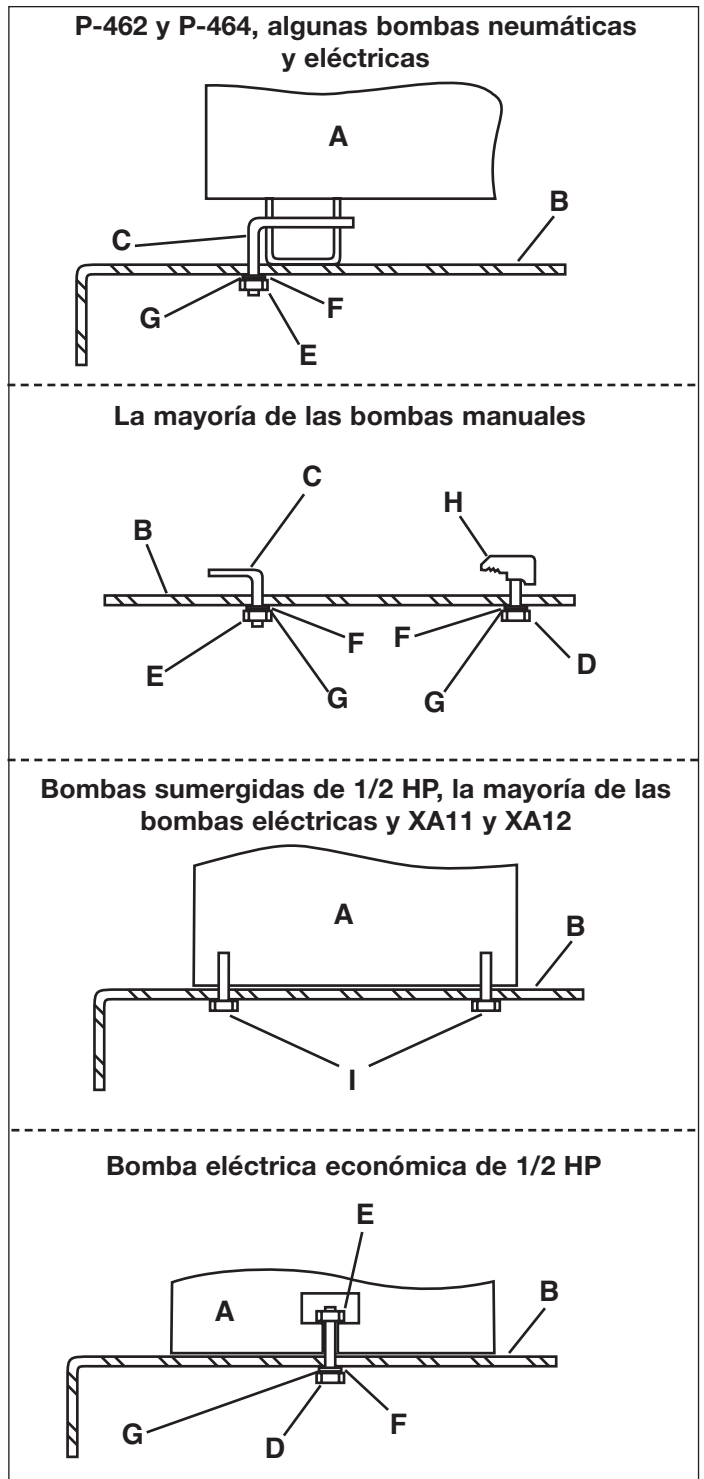


Figura 3. Instalación de la bomba en el soporte de montaje

**Legenda para la Figura 3:**

- A. Tanque de la bomba
- B. Soporte de montaje
- C. Tornillo en L
- D. Tornillo de cabeza hexagonal
- E. Tuerca de cabeza hexagonal
- F. Arandela de retención de la bomba
- G. Arandela plana
- H. Soporte
- I. Tornillo hexagonal

Conjunto para montaje	PMB-1	PMB-2
Bombas manuales	P-80, P-84, P-142, P-39, P-202, P-391, P-392	P-462, P-464
Bombas neumáticas	PA-133, todas las bombas de turbo	Series 10 y 90
Bombas eléctricas		Series 20, 22, 30, 40 y 50

## CONEXIONES HIDRÁULICAS

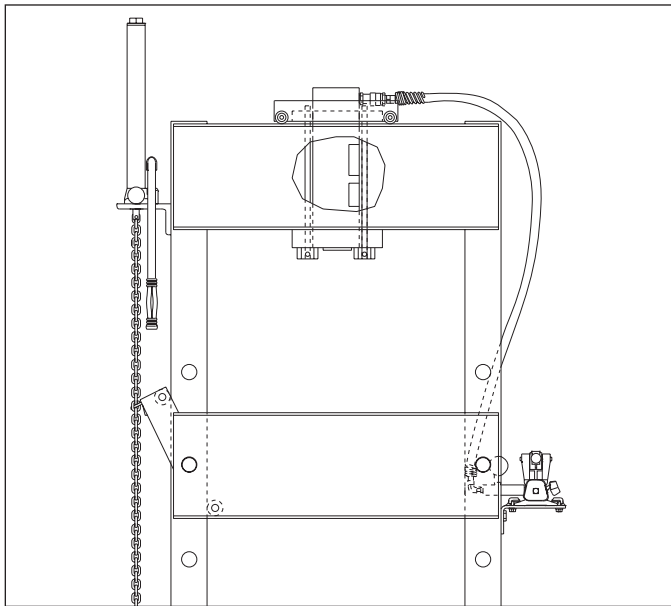


**PRECAUCIÓN:** Compruebe todas las manguera hidráulicas para asegurarse de que los accesorios y acoplamientos están apretados y sin fugas. Verifique las posiciones de la manguera para asegurarse de que las mangueras están situadas de forma que no reciban daño durante las operaciones con la prensa. Apriete bien todas las conexiones, pero no excesivamente..

### 4.1 Cilindros de acción sencilla (Consulte la Figura 4)

1. Conecte el adaptador para manómetro al puerto de salida de la bomba o la válvula.
2. Acople el manómetro al puerto de manómetro NPTF en el adaptador para manómetro.
3. Conecte el codo macho/hembra de 3/8 al puerto de salida del adaptador para manómetro.
4. Acople el extremo con rosca macho de la manguera hidráulica al codo macho/hembra de 3/8.
5. Acople el acoplamiento de la manguera hidráulica al acoplamiento coincidente en el cilindro de acción sencilla.

**NOTA:** Asegúrese de que todos los acoplamientos estén completamente enganchados.



**Figura 4. Conexiones hidráulicas para cilindros de acción sencilla**

### 4.2 Cilindros de doble acción (Consulte la Figura 5)

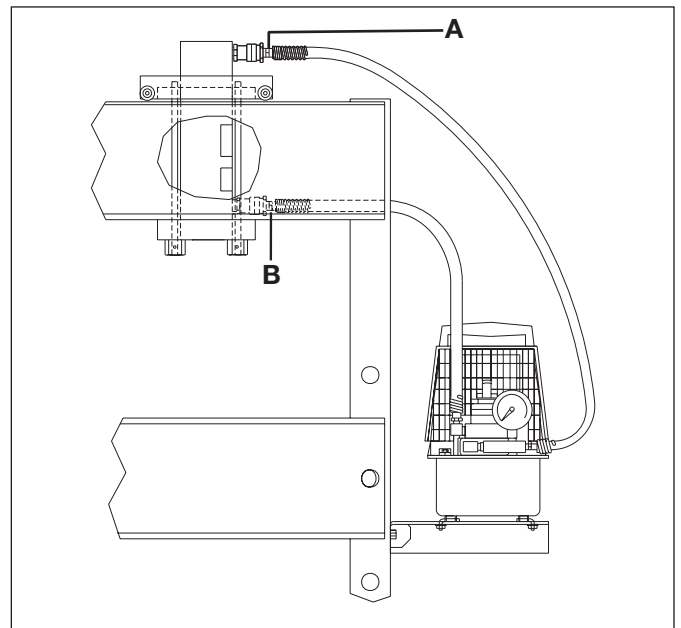
1. Conecte el adaptador para manómetro al puerto de salida apropiado (consulte la nota siguiente) de la válvula de 4 vías instalada en la bomba. Los puertos se identifican de la siguiente forma:
  - A - Puerto de presión - Avance
  - B - Puerto de retorno - Retracción

**NOTA:** Para empujar - coloque el manómetro en la línea hidráulica de avance.

Para tirar - coloque el manómetro en la línea hidráulica de retracción.

2. Acople el manómetro al puerto de manómetro NPTF en el adaptador para manómetro.
3. Conecte el codo macho/hembra de 3/8 al puerto de salida del adaptador para manómetro. Conecte el segundo codo macho/hembra de 3/8 al puerto restante en la válvula de 4 vías.
4. Acople el extremo con rosca macho de las dos mangueras hidráulicas a los codos macho/hembra de 3/8.
5. Acople el acoplamiento de la manguera hidráulica de avance al acoplamiento coincidente en el cilindro de doble acción más cercano al extremo de la base (A).
6. Acople el acoplamiento de la manguera hidráulica de retracción al acoplamiento coincidente en el cilindro de doble acción más cercano al extremo del émbolo (B).

**NOTA:** Asegúrese de que todos los acoplamientos estén completamente enganchados.



**Figura 5. Conexiones hidráulicas para cilindros de doble acción**

## 5.0 AJUSTE DEL BANCO DE LA PRENSA

### 5.1 Modelos de 10 y 12 toneladas

Para subir o bajar el banco de la prensa, levante el travesaño de forma que su peso ya no descansa sobre los pasadores del travesaño. Extraiga los pasadores del banco, que se encuentran debajo del travesaño. Suba o baje el travesaño hasta la altura deseada y reinstale los pasadores del travesaño debajo del mismo.

### 5.2 Modelos de 25-200 toneladas

#### Levantando (y bajando) el banco de la prensa

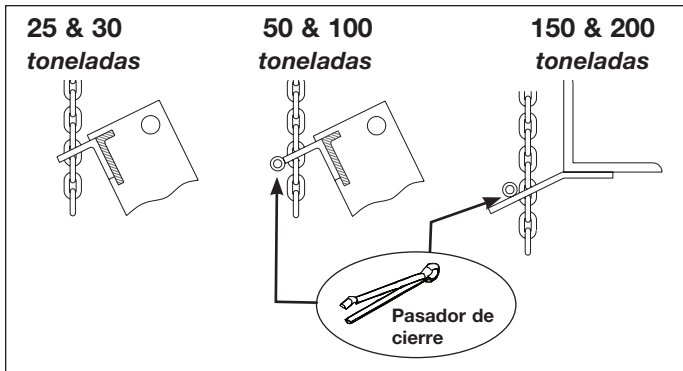


**ADVERTENCIA:** Mantenga las manos alejadas de la mesa de la prensa y del bastidor al volver a colocar la mesa de la prensa con el gato de elevación.



**ADVERTENCIA:** Retire todos los elementos de la mesa de la prensa antes de elevar o bajar la mesa de la prensa.

1. Para levantar el banco de la prensa, abra la válvula de alivio en el gato y tire del émbolo hacia abajo para extender completamente el gato. *(Si está bajando el banco de la prensa, empuje hacia arriba el émbolo del gato hasta que quede completamente retraído).*
2. Deslice la cadena en el gancho de elevación en el banco de la prensa como se muestra en la Figura 6. Instale el pasador de cierre (solo para los modelos de 50, 100, 150 y 200 toneladas).



**Figura 6.** Colocación del gancho de elevación en la cadena

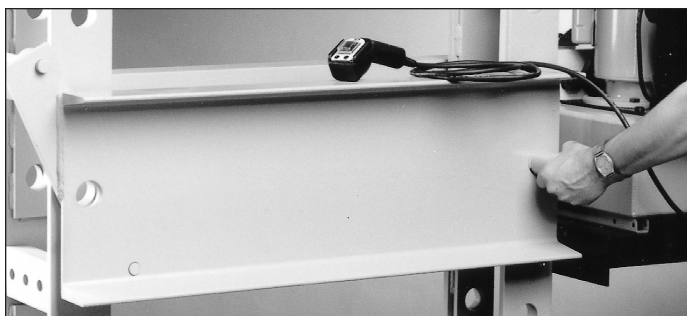


**ADVERTENCIA:** Antes de reposicionar el banco de la prensa asegúrese de que la cadena de elevación esté completa y seguramente enganchada con el gancho de elevación. Solo para los modelos de 50, 100, 150 y 200 toneladas, asegúrese de que el pasador de cierre esté instalado.



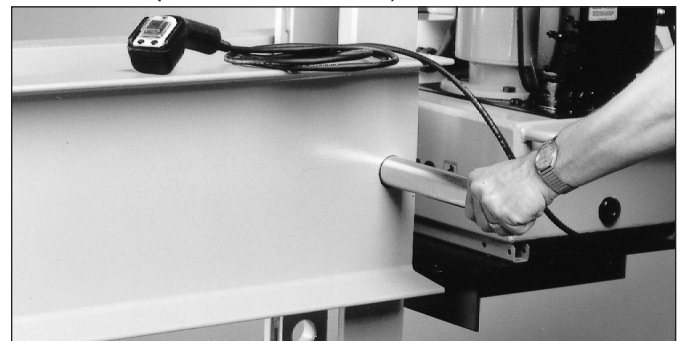
**Figura 7**

3. Retire los anillos de retención o juntas tóricas de la parte posterior de los pasadores del banco.
4. Cierre la válvula de alivio en el gato de elevación del banco.
5. Bombée el gato de elevación del banco hasta que el pasador del banco en el mismo lado de la cadena se afloje.



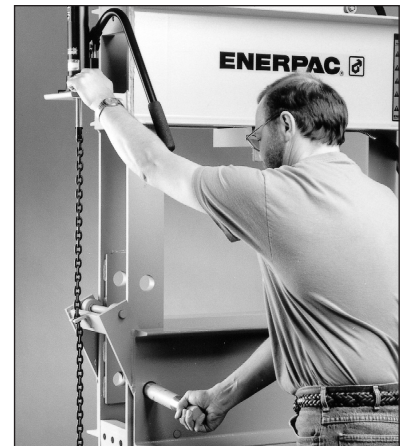
**Figura 8**

6. Tuerza y tire para retirar el pasador de banco.
7. Bombée el gato de elevación del banco hasta que el pasador de banco restante se afloje. Consulte la Figura 7.
8. Tuerza y tire para extraer el pasador de banco restante. Consulte la Figura 8.
9. Continúe bombeando el gato de elevación del banco hasta que el agujero más bajo del banco de la prensa se alinee con el agujero en el bastidor de la prensa. El agujero más bajo del banco de la prensa siempre estará en el lado opuesto de la prensa desde la cadena de elevación. Inserte el pasador del banco. Consulte la Figura 9. *(Si está bajando la prensa, abra lentamente la válvula de alivio en el gato, bajando el banco de la prensa hasta que el agujero más bajo del banco de la prensa se alinee con el agujero en el bastidor de la prensa. Cierre la válvula de alivio e inserte el pasador del banco.)*



**Figura 9**

10. Abra lentamente la válvula de alivio en el gato de elevación del banco, bajando el banco de la prensa hasta que los restantes agujeros para pasador de banco estén alineados. Cierre la válvula de alivio en el gato de elevación del banco e inserte el pasador de banco. Consulte la Figura 10.



**Figura 10**

11. Instale anillos de retención o juntas tóricas en la parte posterior de los pasadores del banco.
12. Abra la válvula de alivio en el gato de elevación del banco.
13. Desconecte la cadena del gancho de elevación para prevenir cargar inadvertidamente la cadena.

## 6.0 OPERACIÓN

### 6.1 Montaje del sistema



**ADVERTENCIA:** Para una operación segura revise todos los montajes de la prensa y accesorios de carga.

Encentre la pieza de trabajo y todas las partes del montaje en la línea de fuerza. Si en el montaje se utilizan calzos, los mismos deben estar contruidos en una pieza única sólida, o soldados unos sobre otros para garantizar estabilidad.



**ADVERTENCIA:** Antes de la operación de la prensa, asegúrese de que todos los pasadores del soporte del banco estén completamente insertados y que los anillos de retención estén instalados en los extremos de los pasadores del travesaño antes de presurizar el cilindro o cargar la prensa.

### 6.2 Extracción del aire del sistema hidráulico

**NOTA:** Podrá extraerse el aire más rápidamente si se purga el aire de la manguera(s) antes de la conexión al puerto(s) del cilindro.

Haga avanzar y retraer el cilindro varias veces, evitando que se forme presión. El aire habrá sido extraído completamente del sistema cuando el cilindro avanza y se retrae con facilidad.

### 6.3 Bombas manuales

1. Cierre la válvula de alivio apretando con la mano.
2. Opere el mango de la bomba para crear presión. La presión se mantendrá hasta que se abra la válvula de alivio.
3. Abra la válvula de alivio para liberar presión.

### 6.4 Bombas P462

1. Cambie la válvula a avance y opere el mango de la bomba para crear presión.
2. La presión se mantendrá hasta que la válvula se cambia a la posición retraída.

### 6.5 Bombas P84 y P464

Consulte la Figura 11. Posicione la palanca de la válvula y opere el mango de la bomba para dirigir el flujo de la siguiente forma:

- 1 – Para que avance el cilindro.
- 3 – Para que se retraiga el cilindro.
- 2 – Para retener la presión, cambie la válvula a la posición 2.

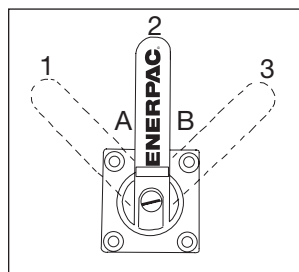


Figura 11

## 6.6 Bombas eléctricas

Consulte la Figura 11.

1. Para hacer avanzar el cilindro, cambie la válvula a la posición de avance y haga funcionar la bomba.
2. Cambie la válvula a neutro cuando se haya alcanzado la carrera deseada.
3. Para retraer el cilindro, cambie la válvula a la posición retraer y haga funcionar la bomba.

## 7.0 REPOSICIONAMIENTO DEL CILINDRO

### 7.1 Modelos de 10 y 12 toneladas: consulte la Figura 12

1. Afloje, NO QUITE, los tornillos (B) que se encuentran en la parte superior del bastidor de la prensa.
2. Deslice el bloque de montaje del cilindro (A) a la posición deseada en el bastidor de la prensa.
3. Apriete los tornillos (B).

### 7.2 Modelos de 25 y 30 toneladas: consulte la Figura 13

1. Afloje, NO QUITE, las cuatro tuercas de espárrago (C) que se encuentran en la parte superior del bastidor de la prensa.
2. Deslice el bloque de montaje del cilindro (A) a la posición deseada en el bastidor de la prensa.
3. Cuando el cilindro esté en la ubicación deseada, apriete las tuercas (C).

**NOTA:** Colocando el cilindro en el extremo derecho o izquierdo se reduce a la mitad la capacidad de la prensa de los modelos de 25 y 30 toneladas (hasta 12 y 15 toneladas).

### 7.3 Modelos de 50-200 toneladas: consulte la Figura 14

1. Afloje, NO QUITE, las dos tuercas de la varilla de anclaje (D) que se encuentran bajo el soporte del cilindro inferior.
2. Deslice el bloque de montaje del cilindro (A) a la posición deseada en el bastidor de la prensa.
3. Apriete firmemente las tuercas de la varilla de anclaje (D) cuando cilindro esté en la ubicación deseada.

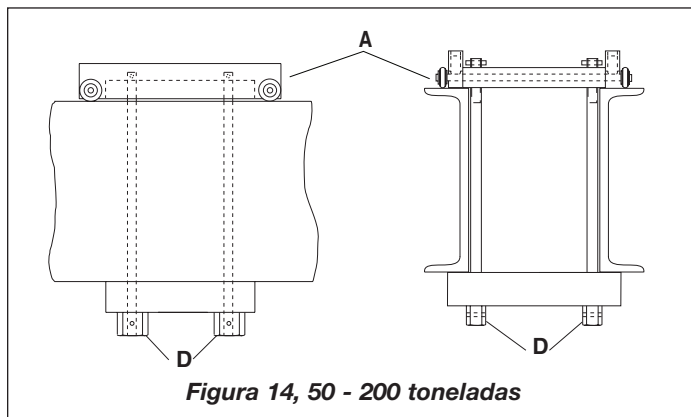
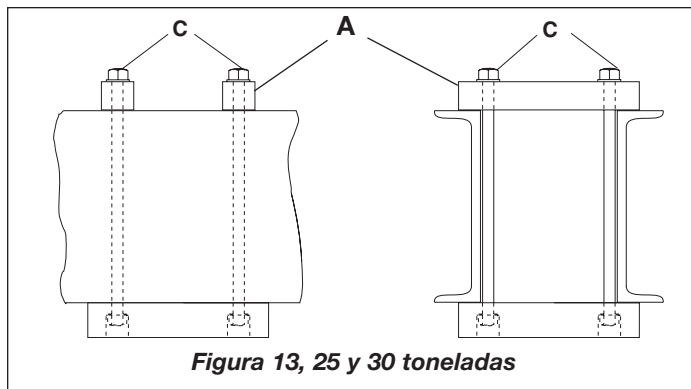
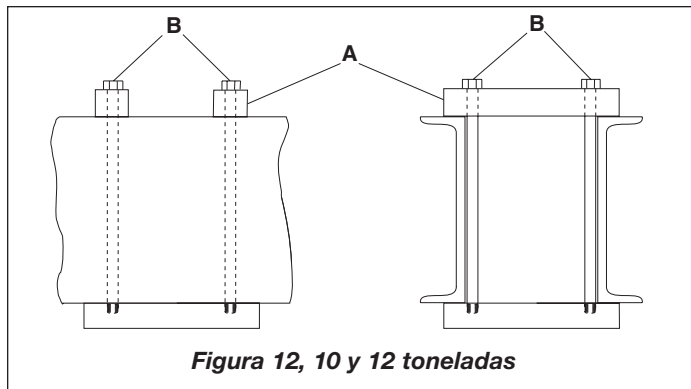
## 8.0 MANTENIMIENTO

### 8.1 Sistema hidráulico

1. Mantenga todos los componentes hidráulicos sin suciedad, grasa y virutas.
2. Revise periódicamente el sistema hidráulico en busca de componentes dañados, conexiones flojas o fugas. Reemplace o repare inmediatamente componentes dañados o con fugas.
3. Cambie el aceite hidráulico en su sistema cada 50 horas de funcionamiento.
4. Use sólo aceite hidráulico Enerpac. El uso de fluidos que no sean aceite hidráulico Enerpac puede causar

daños a su sistema y puede anular su garantía Enerpac.

5. Para instrucciones completas sobre los componentes hidráulicos, consulte las instrucciones que se entregan con la bomba y el cilindro.



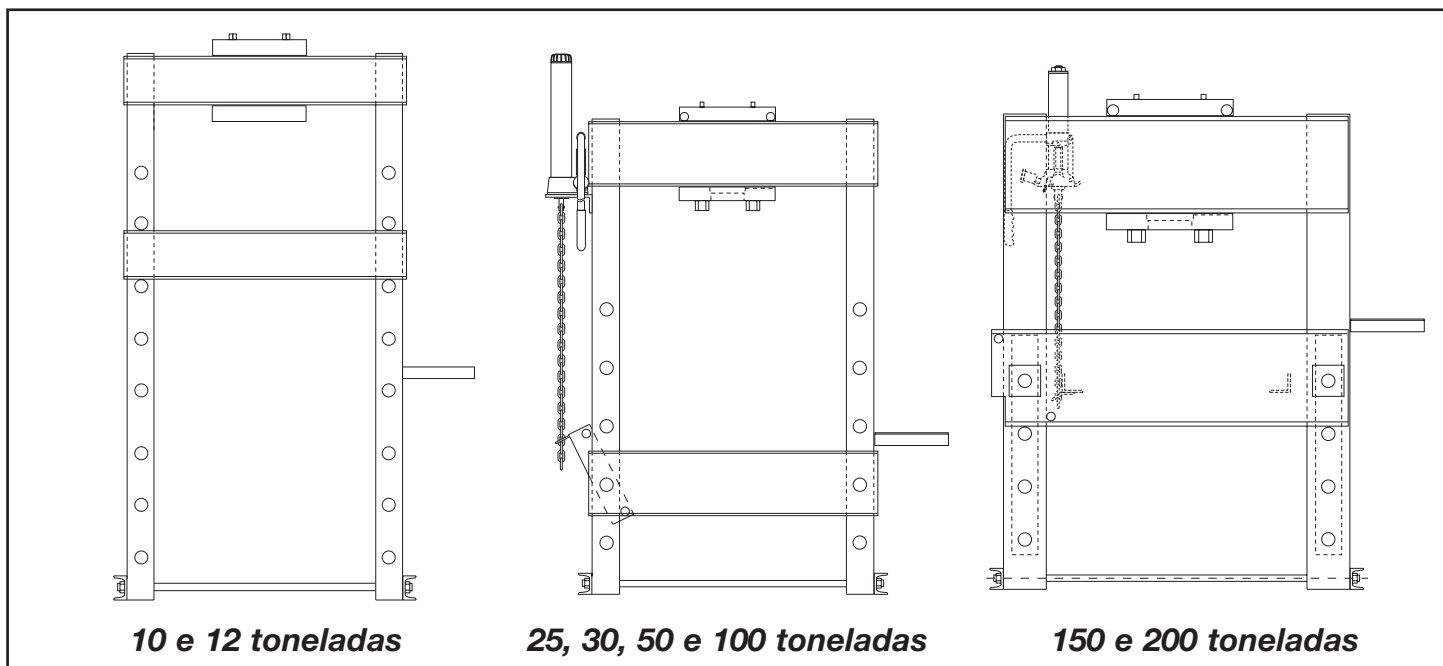
## 8.2 Bastidor de la prensa

1. Mantenga el área de trabajo y la prensa sin suciedad, virutas y herramientas y accesorios innecesarios.
2. Revise periódicamente el bastidor de la prensa para asegurarse de que todos pernos están apretados y que las piezas del bastidor no tienen daños. Reemplace o repare inmediatamente piezas dañadas.
3. Si comienza a dañarse considerablemente la pintura, se debe volver a pintar la unidad para prevenir oxidación y mantener la buena apariencia del bastidor.

## SOLUCIÓN DE PROBLEMAS

Problema	Causa posible	Solución
El cilindro no avanza, avanza lentamente, o avanza en rachas.	<ol style="list-style-type: none"> <li>1. Nivel bajo de aceite en la bomba.</li> <li>2. Válvula de alivio de la bomba abierta.</li> <li>3. Acoplamiento hidráulico flojo.</li> <li>4. La carga es muy pesada.</li> <li>5. Hay aire atrapado en el sistema.</li> <li>6. Émbolo del cilindro trabado.</li> </ol>	<ol style="list-style-type: none"> <li>1. Añada aceite de acuerdo a las instrucciones para la bomba.</li> <li>2. Cierre la válvula de alivio de la bomba.</li> <li>3. Verifique que todos los acoplamientos estén bien apretados.</li> <li>4. No intente aplicar más tonelaje del nominal.</li> <li>5. Extraiga el aire de acuerdo con las instrucciones en la página 13.</li> <li>6. Revise el cilindro en busca de daños. Solicite a un técnico calificado de sistemas hidráulicos que repare el cilindro.</li> </ol>
El cilindro avanza, pero no mantiene la presión.	<ol style="list-style-type: none"> <li>1. Conexión con fugas.</li> <li>2. Sellos del cilindro con fugas.</li> <li>3. Fuga interna en la bomba.</li> </ol>	<ol style="list-style-type: none"> <li>1. Revise que las conexiones estén apretadas y sin fugas.</li> <li>2. Identifique las fugas y solicite a un técnico calificado de sistemas hidráulicos que repare el equipo.</li> <li>3. Solicite a un técnico calificado de sistemas hidráulicos que repare la bomba.</li> </ol>
El cilindro no se retrae, se retrae parcialmente, o se retrae más lentamente de lo normal	<ol style="list-style-type: none"> <li>1. El tanque de la bomba está rebosado.</li> <li>2. Acoplamiento hidráulico flojo.</li> <li>3. Aire atrapado en el sistema.</li> </ol>	<ol style="list-style-type: none"> <li>1. Vacíe el nivel de aceite hasta la marca de llenado. Vea las instrucciones de la bomba para añadir aceite.</li> <li>2. Compruebe que todos los acoplamientos estén completamente apretados.</li> <li>3. Extraiga el aire de acuerdo con las instrucciones en la página 13.</li> </ol>
	<b>Sistemas de acción sencilla:</b>	
El cilindro no se retrae, se retrae parcialmente, o se retrae más lentamente de lo normal	<ol style="list-style-type: none"> <li>1. Válvula de alivio de la bomba abierta.</li> <li>2. El muelle de retracción del cilindro está roto o hay otro daño en el cilindro.</li> <li>3. Los accesorios del cilindro son muy pesados para un cilindro de acción sencilla.</li> </ol>	<ol style="list-style-type: none"> <li>1. Abra la válvula de alivio de la bomba.</li> <li>2. Haga revisar el cilindro por un técnico hidráulico cualificado.</li> <li>3. Utilice cilindro de doble acción para verificar que todos los acoplamientos estén bien apretados</li> </ol>

L2066 Rev. E 06/19



## 1.0 INSTRUÇÕES IMPORTANTES PARA O RECEBIMENTO

Inspecione visualmente todos os componentes quanto a avarias durante o transporte. Avarias no transporte **não** são cobertas pela garantia. Caso haja avarias no transporte, avise a transportadora imediatamente. A transportadora é responsável por todos os custos de consertos e substituições decorrentes de avarias ocorridas no transporte.

### SEGURANÇA EM PRIMEIRO LUGAR

## 2.0 ASSUNTOS DE SEGURANÇA



Leia cuidadosamente todas as instruções, advertências e precauções. Siga todas as recomendações de segurança para evitar lesões corporais ou danos materiais durante a operação do sistema. A Enerpac não pode ser responsabilizada por danos ou lesões corporais resultantes do uso indevido do produto, falta de manutenção ou operação inadequada do produto e/ou sistema. Entre em contato com a Enerpac quando houver dúvidas sobre as recomendações de segurança e de operações. Caso não tenha recebido treinamento sobre segurança na hidráulica de alta pressão, consulte seu o seu centro de distribuição ou de serviço para um Curso de segurança gratuito da Enerpac sobre Hidráulica.

Deixar de cumprir as seguintes precauções e advertências poderá causar corporais pessoais e danificar o equipamento.

**PRECAUÇÃO** indica a correta operação ou procedimentos e métodos de manutenção para evitar danos, destruição do equipamento ou outros bens materiais.

**ADVERTÊNCIA** indica um perigo potencial que exige procedimentos ou métodos corretos para evitar lesões corporais.

**PERIGO** é somente usado quando sua ação ou falta de ação pode causar lesões graves ou até mesmo acidentes fatais.



**ADVERTÊNCIA:** Use equipamentos de proteção pessoal adequados ao operar equipamentos hidráulicos.



**ADVERTÊNCIA:** Fique longe de cargas sustentadas por sistemas hidráulicos. Um cilindro, quando usado como um dispositivo de levantamento de carga, nunca deverá ser usado como um dispositivo retentor de carga. Depois que a carga tiver sido elevada ou baixada, ela deverá sempre ser bloqueada mecanicamente.



**ADVERTÊNCIA:** USE APENAS PEÇAS RÍGIDAS PARA RETER CARGAS. Selecione com cuidado blocos de aço ou de madeira que possam suportar a carga. Nunca use um cilindro hidráulico como calço ou espaçador em aplicações de levantamento ou de prensagem.



**PERIGO:** Para evitar lesões corporais, mantenha as mãos e os pés afastados do cilindro e da peça de trabalho durante a operação.



**ADVERTÊNCIA:** Não exceda as classificações do equipamento. Nunca tente levantar uma carga que pese mais do que a capacidade do cilindro. O excesso de carga pode causar falhas no equipamento e possíveis lesões corporais. Os cilindros foram projetados para uma pressão máxima de 10.000 psi [700 bar]. Não conecte um macaco ou cilindro a bombas com uma pressão nominal mais alta.



**Nunca** ajuste a válvula de alívio em uma pressão mais alta do que a pressão nominal máxima da bomba. Ajustes maiores podem resultar em danos ao equipamento e/ou lesões corporais.





**ADVERTÊNCIA:** A pressão operacional do sistema não deve exceder a pressão nominal do componente do sistema com o valor nominal mais baixo. Instale manômetros de pressão no sistema para monitorar a pressão operacional. Eles são a sua visão sobre o que está acontecendo no sistema.



**PRECAUÇÃO: Evite danificar a mangueira hidráulica.** Evite curvas e dobras abruptas ao direcionar as mangueiras hidráulicas. Usar uma mangueira curvada ou dobrada pode causar extrema pressão contrária. Curvas e dobras abruptas danificarão a mangueira internamente, levando a uma falha prematura da mangueira.



**Não deixe** cair objetos pesados na mangueira. Um impacto forte pode causar dano interno aos cabos da mangueira. A aplicação de pressão em uma mangueira danificada pode fazer com que ela rompa.



**IMPORTANTE:** Não levante o equipamento hidráulico pelas mangueiras ou pelos engates do torniquete. Use as alças para carregar ou outras formas seguras de transporte.



**PRECAUÇÃO: Mantenha o equipamento hidráulico longe de chamas e do calor.** O calor excessivo deformará as estruturas e as vedações, o que resultará em vazamentos de fluido. O aquecimento também enfraquece os materiais e as estruturas da mangueira. Para obter um desempenho ideal, **não** exponha o equipamento a temperaturas de 65°C [150°F] ou superiores. Proteja as mangueiras e cilindros contra pingos de solda.



**PERIGO: Não manuseie mangueiras pressurizadas.** Sob pressão, o vazamento do óleo pode penetrar na pele, causando lesões graves. Se o óleo penetrar na pele, procure um médico imediatamente.



**ADVERTÊNCIA: Utilize somente cilindros hidráulicos em um sistema acoplado.** Nunca use um cilindro com engates desconectados. Se o cilindro ficar extremamente sobrecarregado, os componentes podem falhar de forma catastrófica, causando graves lesões corporais.



Distribua a carga uniformemente em toda a superfície do assento. Sempre use um assento para proteger a haste.



**IMPORTANTE:** A manutenção de equipamento hidráulico deve ser executada somente por técnico hidráulico qualificado. Para serviços de reparo, entre em contato com o Centro Autorizado de Serviços da ENERPAC em sua área. Para proteger sua garantia, utilize somente óleo da ENERPAC.



**ADVERTÊNCIA:** Substitua imediatamente as peças gastas ou danificadas por peças originais ENERPAC. Peças padrão da classe podem quebrar, causando danos materiais e lesões corporais. As peças da ENERPAC são projetadas para se encaixar adequadamente e resistir a cargas altas.



**ADVERTÊNCIA:** Em prensas de 25 – 200 toneladas, não as carregue com os pinos da mesa localizados abaixo da mesa da prensa.



**ADVERTÊNCIA:** NÃO modifique a prensa.

### 3.0 INSTALAÇÃO

#### 3.1 Macaco para levantamento da mesa (modelos de 25-200 toneladas)

1. O macaco para levantamento da mesa é fornecido solto, não montado na armação. Veja a Fig. 1.

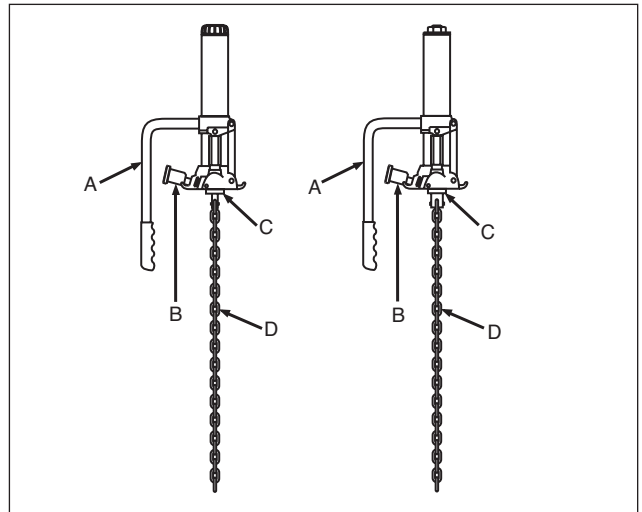


Figura 1. Macaco para levantamento da mesa

A. Manipulo C. Êmbolo  
B. Válvula de Alívio D. Corrente de elevação

2. Monte o manipulô do macaco com os pinos e contrapinos fornecidos.
3. Usando as porcas, parafusos e arruelas fornecidos, monte o macaco para levantamento da mesa sobre o suporte soldado na armação da prensa. Aperte bem.

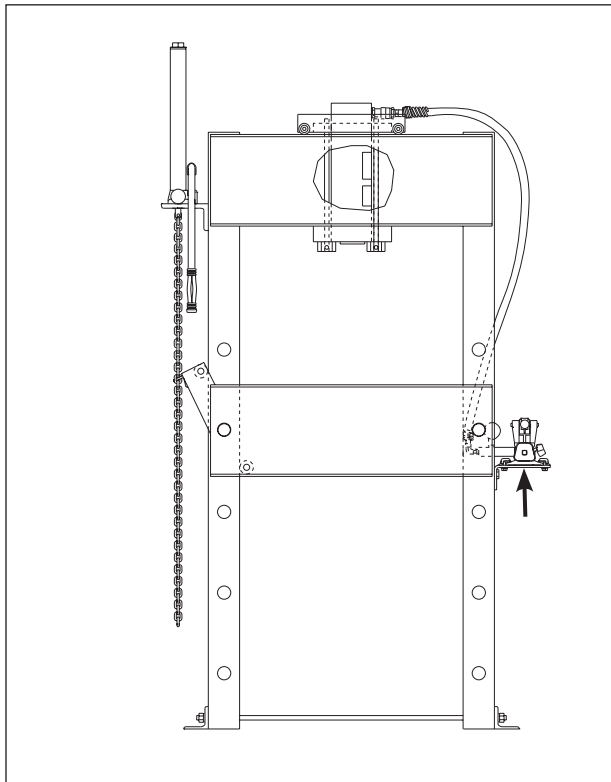


**ADVERTÊNCIA:** Monte a prensa de forma segura. O posicionamento instável pode fazer com que a prensa incline, resultando em graves lesões corporais ou danos ao equipamento.

Se a prensa for montada no chão ou em alguma outra base, abaixe a mesa da prensa até o menor conjunto de furos antes de perfurar e aparafusar. Isso assegurará que a prensa não gire e que a mesa fique alinhada com todos os conjuntos de furos nas pernas.

#### 3.2 Montagem da bomba

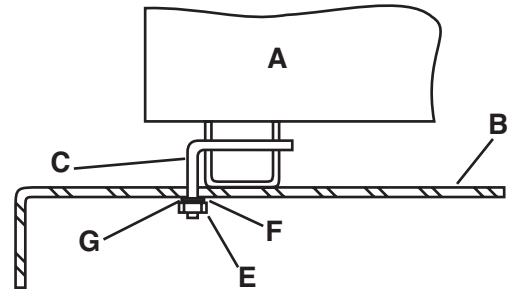
1. O suporte para montagem da bomba (se necessário) é fornecido solto, e deve ser preso no lado oposto do macaco para levantamento da mesa da prensa.
2. Monte o suporte para montagem da bomba na armação da prensa utilizando os parafusos, porcas e arruelas de 5/8-11 x 1-1/2" fornecidos.
3. A figura 2 mostra a localização do suporte de montagem da bomba.
4. A tabela abaixo mostra o kit de montagem usado com modelos de bomba Enerpac. Instale a bomba no suporte de montagem como mostrado na figura 3. Aperte todos os parafusos de forma segura.



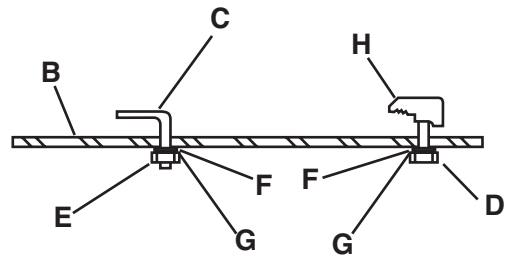
*Localização do suporte de montagem da bomba*

Kit de montagem	PMB-1	PMB-2
Bombas manuais	P-80, P-84, P-142, P-39, P-202, P-391, P-392	P-462, P-464
Todas as séries de bombas pneumáticas	PA-133 e de bombas turbo	10 e 90
Séries de bombas elétricas		20, 22, 30, 40 e 50

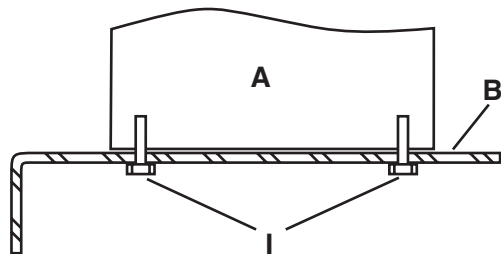
**Algumas bombas pneumáticas e elétricas P-462 & P-464**



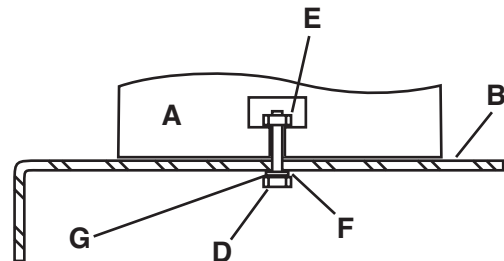
**A maioria das bombas manuais**



**Bombas submersas de 1/2 HP, a maioria de bombas elétricas e XA11 e XA12**



**Bomba elétrica econômica de 1/2 HP**



- Legenda para a figura 3:**
- A. Reservatório da bomba
  - B. Suporte de montagem da bomba
  - C. Parafuso em L
  - D. Parafuso de cabeça sextavada
  - E. Porca de cabeça sextavada
  - F. Arruela de aperto
  - G. Arruela chata
  - H. Suporte
  - I. Parafuso

**Figura 3. Instalação da bomba no suporte de montagem**

## 4.0 CONEXÕES HIDRÁULICAS

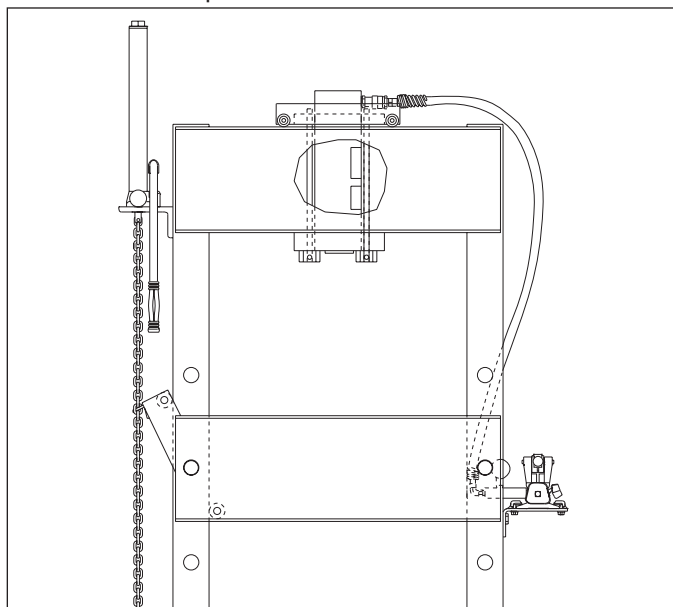


**PRECAUÇÃO:** Verifique todas as mangueiras hidráulicas para ter certeza de que os acessórios e engates estão apertados e sem vazamento. Verifique as posições da mangueira de modo a evitar danos durante as operações da prensa. Aperte bem todas as conexões, mas não excessivamente.

### 4.1 Cilindros de simples ação (veja a figura 4)

1. Conecte o adaptador do medidor na porta de saída da bomba ou da válvula.
2. Prenda o medidor na porta NPTF no adaptador do medidor.
3. Conecte o cotovelo 3/8 na porta de saída do adaptador do medidor.
4. Prenda a extremidade rosqueada do macho da mangueira hidráulica no cotovelo 3/8.
5. Prenda o engate da mangueira hidráulica no acoplador conjugado no cilindro de ação simples.

**NOTA:** Certifique-se de que todos os engates estejam totalmente apertados.



**Figura 4. Conexões hidráulicas para cilindros de simples ação**

### 4.2 Cilindros de dupla ação (veja a figura 5)

1. Conecte o adaptador do medidor na devida porta de saída (consulte a nota abaixo) da válvula de 4 vias montada na bomba. As portas estão etiquetadas conforme segue:

A - Porta de Pressão - Avançar

B - Porta de Retorno - Retrair

**NOTA:** Para empurrar – coloque o medidor na linha hidráulica de avanço.

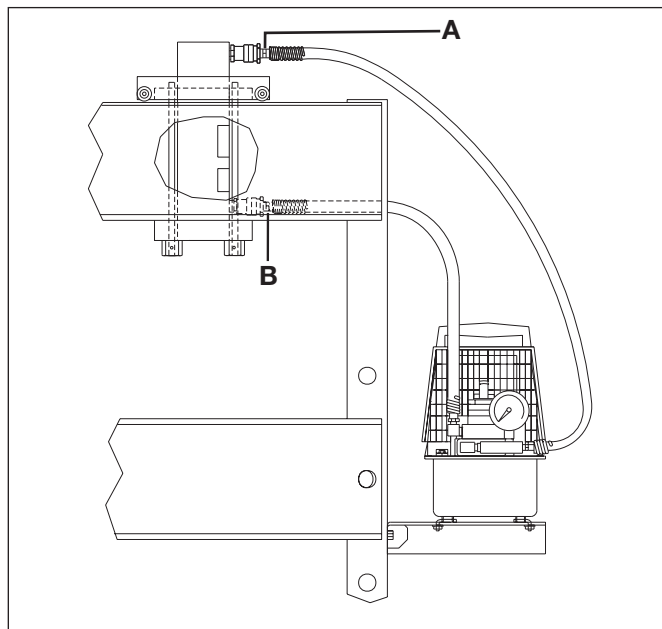
Para puxar - coloque o medidor na linha hidráulica de retorno.

2. Prenda o medidor na porta NPTF no adaptador do medidor.
3. Conecte o cotovelo 3/8 na porta de saída do

adaptador do medidor. Conecte o segundo cotovelo 3/8 na porta restante da válvula de 4 vias.

4. Prenda a extremidade rosqueada do macho das duas mangueiras hidráulica no cotovelo 3/8.
5. Prenda o engate da mangueira hidráulica de avanço no acoplador conjugado na extremidade da mesa mais próxima possível do cilindro de dupla ação (A).
6. Prenda o engate da mangueira hidráulica de retração no acoplador conjugado na extremidade do êmbolo mais próxima do cilindro de dupla ação (A).

**NOTA:** Certifique-se de que todos os engates estejam totalmente apertados.



**Figura 5. Conexões hidráulicas para cilindros de dupla ação**

## 5.0 AJUSTE DA MESA DA PRENSA

### 5.1 Modelos de 10 e 12 toneladas

Para subir ou abaixar a mesa da prensa, levante a travessa da prensa para que seu peso não fique mais sobre os pinos da travessa. Puxe os pinos da mesa, localizados abaixo da travessa. Suba ou abaixe a travessa até a altura desejada e reinstale os pinos da travessa localizados abaixo dela.

### 5.2 Modelos de 25-200 toneladas

#### Subir (e abaixar) a mesa da prensa



**ADVERTÊNCIA:** Mantenha as mãos longe da mesa/travessa da prensa e da armação ao reposicionar a mesa/travessa da prensa com o macaco para levantamento.



**ADVERTÊNCIA:** Remova todos os itens da mesa/travessa da prensa antes de subir ou abaixar a mesa/travessa da prensa.

1. Para subir a mesa da prensa, abra a válvula de alívio no macaco para levantamento e puxe o êmbolo para

baixo para estender completamente o macaco. (Para abaixar a mesa da prensa, empurre o êmbolo do macaco para cima até que fique totalmente retraído).

- Deslize a corrente no gancho de elevação na mesa da prensa, como mostrado na figura 6. Instale o pino de aperto (apenas para os modelos de 50, 100, 150 e 200 toneladas).

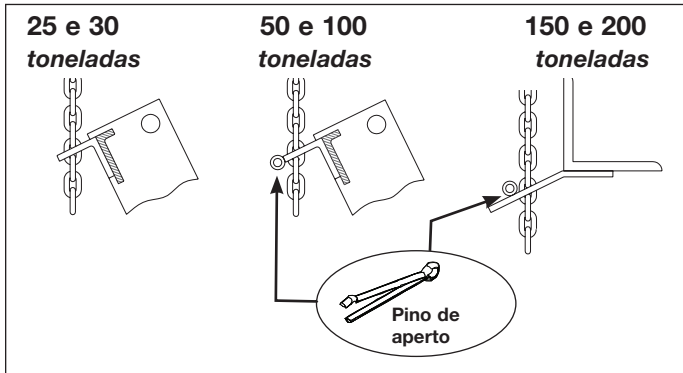


Figura 6. Colocación del gancho de elevación en la cadena



**ADVERTÊNCIA:** Certifique-se de que a corrente de elevação esteja total e firmemente engatada com o gancho de elevação antes de reposicionar a mesa da prensa. Apenas nos modelos de 50, 100, 150 e 200 toneladas, tenha certeza de o pino de aperto estar instalado.

- Remova os anéis de retenção ou anéis de vedação do lado de trás dos pinos da mesa.
- Feche a válvula de alívio no macaco para levantamento da mesa.
- Bombeie o macaco para levantamento da mesa até que o pino da mesa no mesmo lado da corrente solte.
- Gire e puxe para remover o pino da mesa.
- Bombeie o macaco para levantamento da mesa até que o outro pino da mesa solte. Veja a Fig. 7.
- Gire e puxe para remover o outro pino da mesa. Veja a Fig. 8.



Figura 7

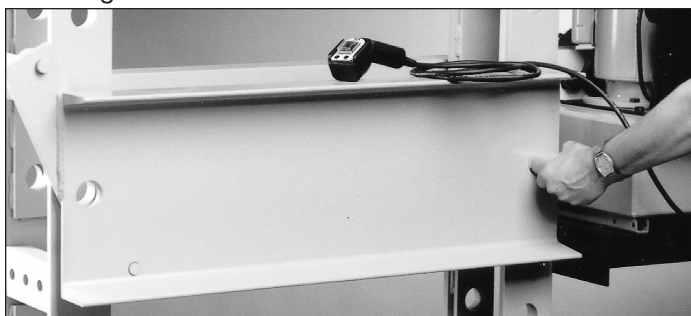


Figura 8

- Continue a bombear o macaco para levantamento da mesa até que o furo mais baixo da mesa da prensa fique alinhado com o furo na armação da prensa. O furo mais baixo da mesa da prensa está sempre no lado oposto da prensa a partir da corrente de elevação. Insira o pino da mesa. Veja a Fig. 9. (Para abaixar a prensa, abra a válvula de alívio do macaco para levantamento devagar, abaixando a mesa da prensa até que o furo mais baixo da mesa da prensa fique alinhado com o furo na armação da prensa. Feche a válvula de alívio e insira o pino da mesa).

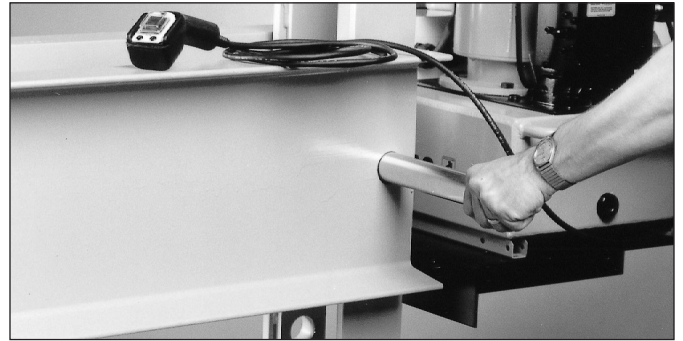


Figura 9

- Abra a válvula de alívio devagar no macaco para levantamento da mesa, abaixando a mesa da prensa até que os furos restantes da mesa da prensa estejam alinhados. Feche a válvula de alívio no macaco para levantamento da mesa e insira o pino da mesa. Veja a Fig. 10.

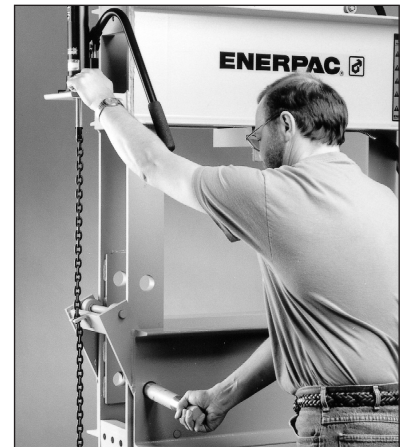


Figura 10

- Instale os anéis de retenção ou anéis de vedação no lado de trás dos pinos da mesa.
- Abra a válvula de alívio no macaco para levantamento da mesa.
- Desconecte a corrente do gancho de elevação para evitar o carregamento inadvertida da corrente.

## 6.0 OPERAÇÃO

### 6.1 Configuração do sistema



**ADVERTÊNCIA:** Verifique todas as configurações da prensa e os dispositivos de carga para uma operação com segurança.

Centralize a peça de trabalho e todos os componentes da configuração na linha de força. Caso sejam usados espaçadores na montagem, eles devem ser construídos como uma única peça ou como um conjunto de peças soldadas, para estabilidade.



**ADVERTÊNCIA:** Antes de operar a prensa, certifique-se de que todos os pinos de suporte da mesa estejam totalmente inseridos e que anéis de retenção estejam instalados nas extremidades dos pinos da travessa antes de pressurizar o cilindro ou carregar a prensa.

### 6.2 Remover o ar do sistema hidráulico

**NOTA:** A remoção de ar será mais rápida se a(s) mangueira(s) for(em) sangrada(s) de ar antes de conectá-la(s) na(s) porta(s) do cilindro.

Avance e retraia o cilindro várias vezes, evitando o acúmulo de pressão. O ar é inteiramente removido do sistema quando o cilindro avança e retrai suavemente.

### 6.3 Bombas manuais

1. Feche a válvula de alívio bem apertada.
2. Opere o manípulo da bomba aumentar/acumular pressão. A pressão será mantida até que a válvula de alívio seja aberta.
3. Abra o manípulo de pressão para liberar a pressão.

### 6.4 Bombas P462

1. Mova a válvula para avançar e opere o manípulo da bomba para aumentar/acumular pressão.
2. A pressão será mantida até que a válvula seja movida para a posição de retração.

### 6.5 Bombas P84 e P464

Veja a Fig. 11. Posicione a alavanca da válvula e opere o manípulo da bomba como segue:

- 1 - Para avançar o cilindro.
- 2 - Para manter a pressão, mova a válvula para a posição 2.
- 3 - Para retrair o cilindro.

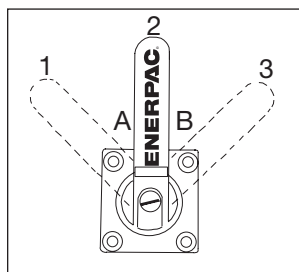


Figura 11

## 6.6 Bombas motorizadas

Veja a Fig. 11.

1. Para avançar o cilindro, mova a válvula até a posição de avanço e opere a bomba.
2. Mova a válvula para neutro quando o curso desejado for obtido.
3. Para retrair o cilindro, mova a válvula para a posição de retração e opere a bomba.

## 7.0 REPOSICIONAMENTO DO CILINDRO

### 7.1 Modelos de 10 e 12 toneladas: veja a figura 12

1. Solte, NÃO REMOVA, os parafusos (B) localizados na parte superior da armação da prensa.
2. Deslize o conjunto do bloco de montagem do cilindro (A) até a posição desejada na armação da prensa.
3. Aperte os parafusos (B).

### 7.2 Modelos de 25 e 30 toneladas: veja a figura 13

1. Solte, NÃO REMOVA, as quatro porcas com rosca (C) localizadas na parte superior da armação da prensa.
2. Deslize o conjunto do bloco de montagem do cilindro (A) até a posição desejada na armação da prensa.
3. Quando o cilindro estiver na posição desejada, aperte as porcas (C).

**NOTA:** Posicionar o cilindro na extrema direita ou esquerda reduz a capacidade da prensa dos modelos de 25 e 30 toneladas pela metade (para 12 e 15 toneladas).

### 7.3 Modelos de 50-200 toneladas: veja a figura 14

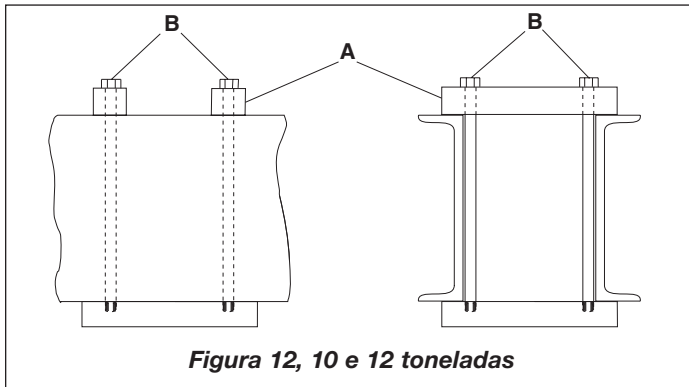
1. Solte, NÃO REMOVA, as duas porcas do tensor (D) localizadas sob a braçadeira do suporte do cilindro inferior.
2. Deslize o conjunto do bloco de montagem do cilindro (A) até a posição desejada na armação da prensa.
3. Aperte muito bem as porcas do tensor(D) quando o cilindro estiver no local desejado.

## 8.0 MANUTENÇÃO

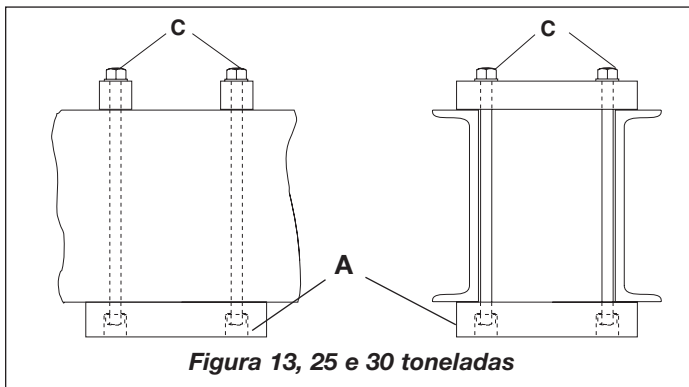
### 8.1 Sistema hidráulico

1. Mantenha todos os componentes hidráulicos livres de sujeira, graxa e cavacos.
2. Inspeção periodicamente o sistema hidráulico quanto a componentes danificados, conexões soltas ou vazamentos. Substitua ou conserte imediatamente os componentes danificados ou com vazamento.
3. Troque o óleo hidráulico do seu sistema a cada 50 horas de operação.
4. Use apenas óleo hidráulico da Enerpac. A utilização de outros fluidos, que não o óleo hidráulico da Enerpac, pode causar danos ao seu sistema e invalidar a garantia da Enerpac
5. Para instruções completas sobre componentes

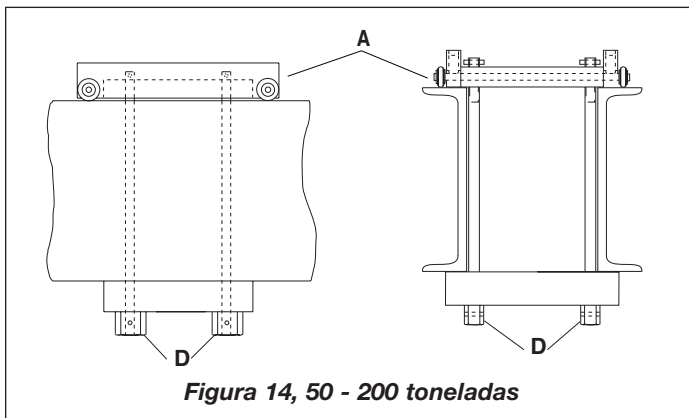
hidráulicos, consulte as instruções incluídas com sua bomba e cilindro.



**Figura 12, 10 e 12 toneladas**



**Figura 13, 25 e 30 toneladas**



**Figura 14, 50 - 200 toneladas**

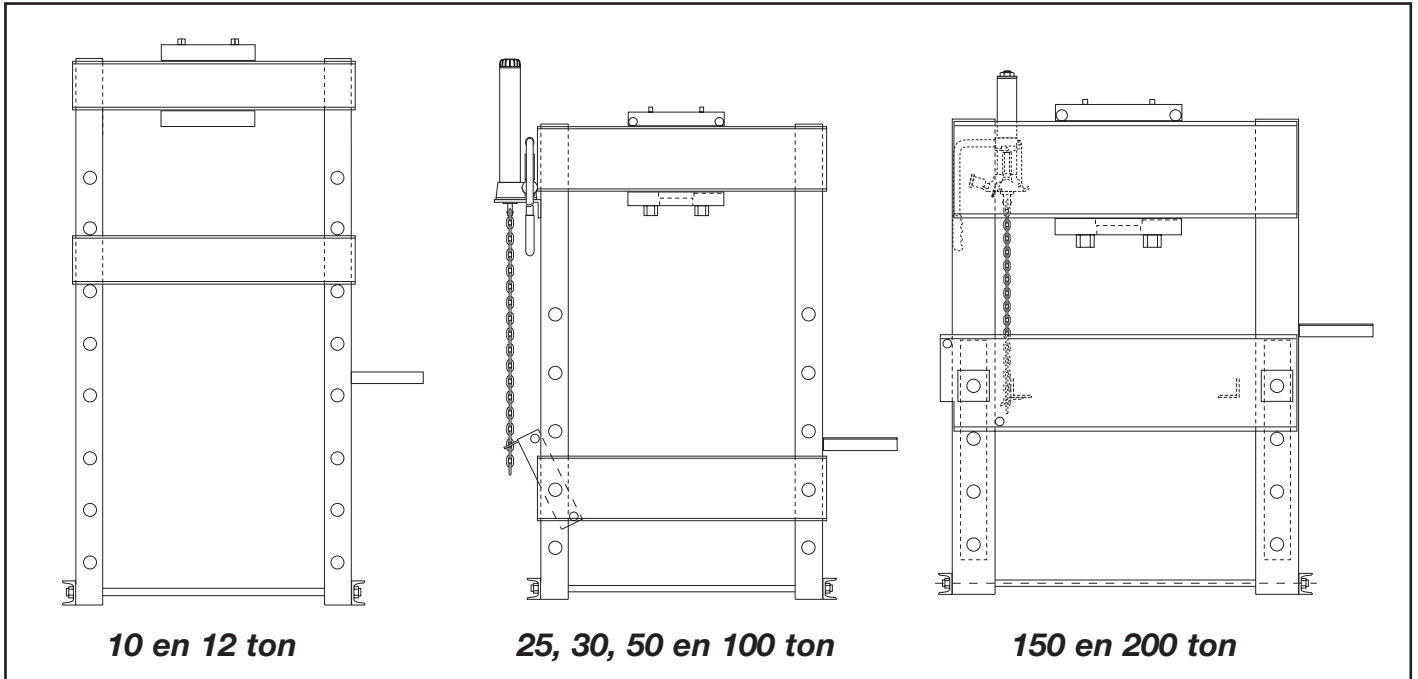
## 8.2 Armação da prensa

1. Mantenha a área de trabalho e a mesa da prensa livres de sujeira, cavacos, e ferramentas e acessórios desnecessários.
2. Verifique periodicamente a armação da prensa para garantir que todos os parafusos estejam apertados e que nenhum componente da armação esteja danificado. Substitua ou conserte imediatamente os componentes danificados.
3. Se a pintura ficar muito quebradiça, a unidade deve ser repintada para evitar ferrugem e para manter a aparência bem cuidada da armação.

## SOLUCIONANDO PROBLEMAS

<b>Problema</b>	<b>Causa possível</b>	<b>Solução</b>
O cilindro não avança, avança vagarosamente ou avança aos trancos.	<ol style="list-style-type: none"> <li>1. O nível de óleo está baixo.</li> <li>2. A válvula de alívio da bomba está aberta. Engate hidráulico solto.</li> <li>3. A carga é demasiado pesada.</li> <li>4. Ar aprisionado no sistema.</li> <li>5. Haste do cilindro está emperrando.</li> </ol>	<ol style="list-style-type: none"> <li>1. Adicione óleo seguindo as instruções da bomba.</li> <li>2. Feche a válvula de alívio. Verifique se todos os engates estão totalmente apertados.</li> <li>3. Não ultrapasse a tonelagem nominal.</li> <li>4. Remova o ar de acordo com as instruções na página 21.</li> <li>5. Verifique se há danos no cilindro.</li> <li>6. Solicite que um técnico hidráulico qualificado faça a revisão do cilindro.</li> </ol>
O cilindro avança, mas não mantém a pressão.	<ol style="list-style-type: none"> <li>1. Vazamento nas conexões.</li> <li>2. Vazamento nas vedações do cilindro.</li> <li>3. Vazamento interno na bomba.</li> </ol>	<ol style="list-style-type: none"> <li>1. Verifique se todas as conexões estão apertadas e sem vazamento.</li> <li>2. Localize quaisquer vazamentos externos e solicite que um técnico hidráulico qualificado faça a revisão do equipamento.</li> <li>3. Solicite que um técnico hidráulico qualificado faça a revisão da bomba.</li> </ol>
O cilindro não retrai, retrai parcialmente, ou retrai mais vagarosamente que o normal.	<ol style="list-style-type: none"> <li>1. Reservatório da bomba cheio demais.</li> <li>2. Engate hidráulico solto.</li> <li>3. Ar aprisionado no sistema.</li> </ol>	<ol style="list-style-type: none"> <li>1. Drene o óleo até a marca de “full” (“cheio”). Consulte as instruções da bomba para adicionar óleo.</li> <li>2. Verifique se todos os engates estão totalmente apertados.</li> <li>3. Remova o ar de acordo com as instruções na página 21.</li> </ol>
<b>Sistemas de simples ação:</b>		
O cilindro não retrai, retrai parcialmente, ou retrai mais vagarosamente que o normal.	<ol style="list-style-type: none"> <li>1. A válvula de alívio da bomba está fechada.</li> <li>2. A mola de retração do cilindro está quebrada ou o cilindro está danificado.</li> <li>3. Os acessórios do cilindro estão muito pesados para o cilindro de simples ação. O engate não está totalmente conectado.</li> </ol>	<ol style="list-style-type: none"> <li>1. Abra a válvula de alívio da bomba.</li> <li>2. Solicite que um técnico hidráulico qualificado faça a revisão do cilindro.</li> <li>3. Utilize um cilindro de dupla ação para verificar se todos os engates estão totalmente apertados</li> </ol>

L2066 Rev. E 06/19



10 en 12 ton

25, 30, 50 en 100 ton

150 en 200 ton

**1.0 BELANGRIJKE INSTRUCTIES BIJ ONTVANGST**

Controleer alle onderdelen op transportschade. Transportschade wordt **niet** gedekt door de garantie. Breng de vervoerder onmiddellijk op de hoogte als u transportschade vaststelt. De vervoerder is aansprakelijk voor alle kosten die voortvloeien uit reparaties of vervanging als gevolg van transportschade.

**VEILIGHEID VOOROP**

**2.0 VEILIGHEID**



Lees alles instructies en waarschuwingen goed door. Volg alle veiligheidsinstructies goed op om persoonlijk letsel en beschadigingen aan eigendommen tijdens het gebruik van het systeem te voorkomen. Enerpac is niet aansprakelijk voor beschadiging of letsel als gevolg van onveilig of onjuist gebruik of achterstallig onderhoud van het product of systeem. Neem bij twijfel over de veiligheidsmaatregelen en het gebruik contact op met Enerpac. Als u nooit getraind bent in veiligheid bij het werken met hydraulische hogedrukgereedschap, neemt u contact op met uw distributie- of servicecentrum voor een gratis Enerpac-veiligheidskursus.

Als u zich niet aan de waarschuwingen houdt die hieronder vermeld worden, kan dit beschadiging van de apparatuur en persoonlijk letsel tot gevolg hebben.

**PAS OP** geeft de juiste gebruiks- of onderhoudsprocedure aan en de werkwijze om schade aan of vernietiging van de apparatuur of andere apparaten te voorkomen.

Een **WAARSCHUWING** geeft een potentieel gevaar aan dat vraagt om een correcte procedure of juist gebruik om persoonlijk letsel te voorkomen.

**GEVAAR** wordt alleen gebruikt indien wel of niet uitvoeren van bepaalde handelingen ernstig letsel of zelfs de dood tot gevolg kan hebben.



**WAARSCHUWING:** Draag de juiste beschermende kleding wanneer u werkt met hydraulische apparatuur.



**WAARSCHUWING:** Blijf uit de buurt van lasten die hydraulisch worden ondersteund. Een cilinder die wordt gebruikt om te heffen, mag nooit worden gebruikt om een last vast te houden. Nadat de last omhoog of omlaag is gebracht, moet deze altijd mechanisch worden geblokkeerd.



**WAARSCHUWING: GEBRUIK ALLEEN ROBUUSTE MATERIALEN OM EEN LADING VAST TE ZETTEN.** Kies met zorg stalen of houten blokken die de lading kunnen ondersteunen. Gebruik een hydraulische cilinder nooit als wig of afstandring tijdens heffen of persen.



**GEVAAR:** Houd handen en voeten tijdens de werkzaamheden uit de buurt van de cilinder en het werkstuk.



**WAARSCHUWING: Belast de apparatuur nooit zwaarder dan aangegeven.** Probeer nooit een lading te heffen die de capaciteit van de cilinder te boven gaat. Overbelasting leidt tot storingen van de apparatuur en mogelijk ook tot persoonlijk letsel. De cilinders zijn geschikt voor een maximale druk van 700 bar. Sluit nooit een vijzel of cilinder aan op een pomp met een hogere drukwaarde.





Stel de veiligheidsklep **nooit** in op een hogere druk dan de aangegeven maximale druk van de pomp. Een hogere instelling kan leiden tot schade aan de apparatuur en/of persoonlijk letsel.



**WAARSCHUWING:** De werkdruk van het systeem mag nooit hoger zijn dan de maximale druk van de systeemcomponent met de laagste maximale druk. Plaats drukmanometers in het systeem om de werkdruk van het systeem te bewaken. Deze manometers maken duidelijk wat er binnen het systeem gebeurt.



**LET OP: Vermijd beschadiging van hydraulische slangen.** Vermijd scherpe bochten of knikken bij het leggen van de hydraulische slangen. Het gebruik van een gebogen of geknikte slang kan hevige tegendruk opleveren. Scherpe bochten en knikken zullen de slang intern beschadigen, wat leidt tot voortijdige defecten.



Laat **nooit** zware voorwerpen op een hydraulische slang vallen. Een zware schok kan de interne staaldraden van de slang beschadigen. Wanneer een beschadigde slang onder druk wordt gezet, kan deze scheuren.



**BELANGRIJK:** Til hydraulische apparatuur nooit op aan slangen of draaikoppelingen. Gebruik de draagbeugel of andere veilige transportvoorzieningen.



**LET OP: Houd hydraulische apparatuur uit de buurt van vuur en hitte.** Overmatige hitte maakt pakkingen en afdichtingen zacht, waardoor vloeistof gaat lekken. Door de hitte verzwakken ook het materiaal en de pakkingen van de slangen. Stel voor een optimale werking de apparatuur **nooit** bloot aan temperaturen van 65°C of hoger. Bescherm slangen en cilinders tegen lasspetters.



**GEVAAR: Pak hydraulische slangen die onder druk staan nooit op.** Olie die onder druk ontsnapt, kan in de huid dringen en ernstig letsel veroorzaken. Raadpleeg direct een arts indien olie onder de huid komt.



**WAARSCHUWING: Gebruik hydraulische cilinders alleen in een gekoppeld systeem.** Gebruik nooit een cilinder waarvan de koppelingen niet zijn aangesloten. Bij een extreme overbelasting van de cilinder kunnen bepaalde onderdelen stuk gaan en ernstig letsel veroorzaken.



Verdeel de last evenredig over het gehele zadeloppervlak. Gebruik altijd een zadel om de plunjer te beschermen.



**BELANGRIJK:** Hydraulische apparatuur mag alleen worden onderhouden door een hiervoor opgeleide hydraulisch monteur. Neem voor reparaties contact op met het dichtstbijzijnde erkende ENERPAC-servicecentrum. Gebruik alleen Enerpac olie om te voorkomen dat uw garantie vervalt.



**WAARSCHUWING:** Vervang versleten of beschadigde onderdelen direct door originele onderdelen van Enerpac. Standaardonderdelen kunnen breken en persoonlijk letsel of schade aan eigendommen veroorzaken. Enerpac-onderdelen passen altijd goed en zijn bestand kunnen tegen zware belasting.



**WAARSCHUWING:** Belast een pers voor 25 tot 200 ton nooit terwijl de borgpennen zich onder het persbed bevinden. Hierdoor wordt het persbed te zwaar belast.

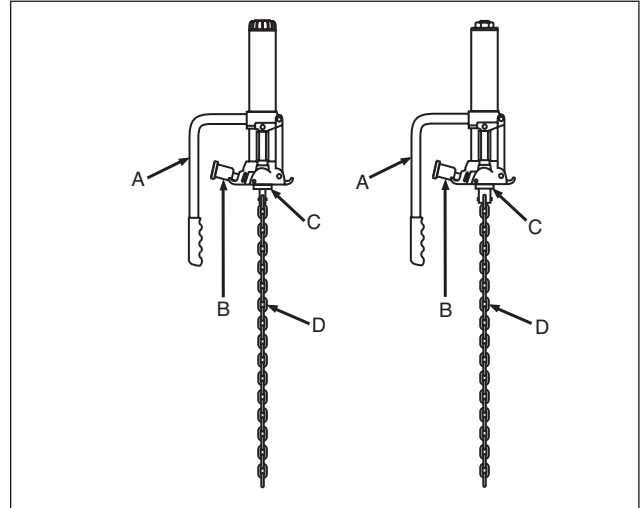


**WAARSCHUWING:** De pers mag NIET worden aangepast.

## 3.0 INSTALLATIE

### 3.1 Onderbedvijzel (modellen van 25 tot 200 ton)

1. De onderbedvijzel wordt los geleverd en is niet op het frame gemonteerd. Zie figuur 1.



**Figuur 1. Vijzel voor onderbed**

A. <i>Handel</i>	C. <i>Plunjer</i>
B. <i>Drukontlastklep</i>	D. <i>Hijsketting</i>

2. Monteer de vijzelhandel met behulp van de meegeleverde splitpennen en spieën.
3. Gebruik de meegeleverde moeren, bouten en ringen om de vijzel voor onderbed te monteren op de beugel die op het frame van de pers is vastgelast. Stevig aandraaien.



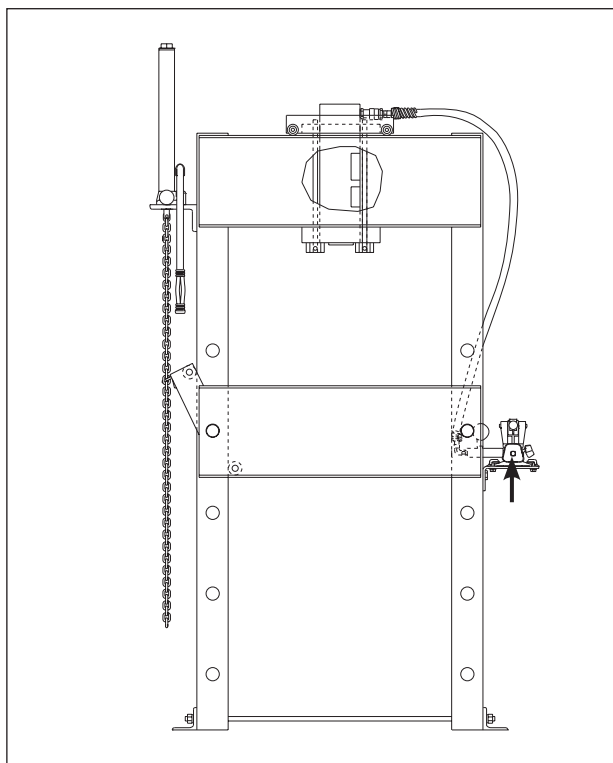
**WAARSCHUWING:** Zorg dat de pers stevig staat. Een onstabiele opstelling kan de pers doen kantelen en ernstig persoonlijk letsel of schade aan de apparatuur veroorzaken.

Als de pers op de vloer of een andere ondergrond wordt geplaatst, laat dan het onderbed zakken naar de onderste positie, voordat er wordt geboord en de bouten worden vastgezet. Op deze manier kan de pers niet draaien en komt het onderbed in lijn met alle gaten in de poten.

### 3.2 Montage van de pomp

1. De montagebeugel voor de pomp wordt los meegeleverd (indien deze benodigd is) en moet worden bevestigd aan de zijde van de pers tegenover de zijde waar de onderbedvijzel zich bevindt.
2. Bevestig de pompmontagebeugel op het frame van de pers met behulp van de meegeleverde 5/8-11 x 1-1/2 inch bouten, moeren en ringen.
3. Figuur 2 toont de locatie van de pompmontagebeugel.

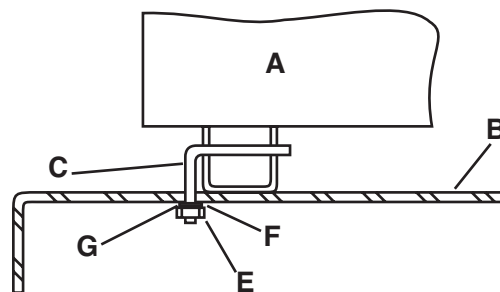
4. De onderstaande tabel laat zien welke montagekit wordt gebruikt voor de pompmodellen van Enerpac. Installeer de pomp op de montagebeugel, zoals weergegeven in figuur 3. Draai alle bouten goed aan.



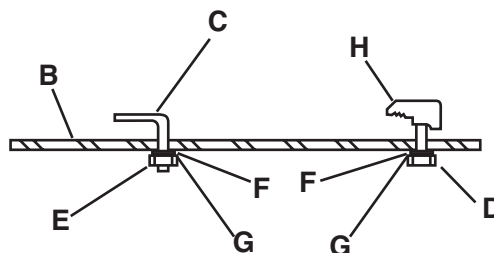
**Figuur 2. Locatie van de pompmontagebeugel**

Montageset	PMB-1	PMB-2
Handpompen	P-80, P-84, P-142, P-39, P-202, P-391, P-392	P-462, P-464
Luchtpompen	PA-133, alle Turbo-pompen	Series 10 en 90
Elektrische pompen		Series 20, 22, 30, 40 en 50

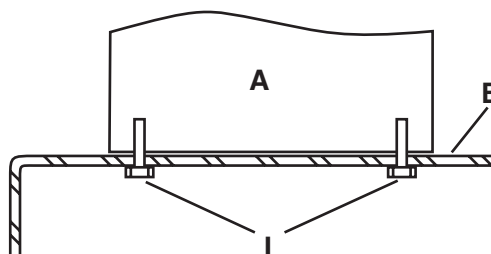
**P-462, P-464 en enkele lucht- en elektrische pompen**



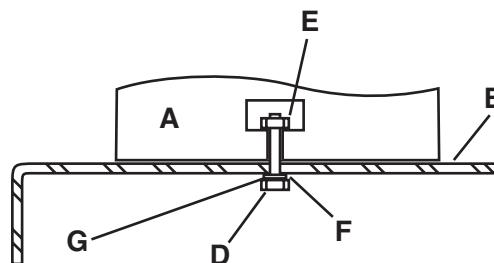
**De meeste handpompen**



**1/2 HP dompelpompen, de meeste elektrische pompen, XA11 en XA12**



**1/2 HP compacte elektrische pomp**



**Legenda voor figuur 3:**

- A. Pompreservoir
- B. Pompmontagebeugel
- C. L-schroef
- D. Inbusbout
- E. Zeskantmoer
- F. Borgring
- G. Platte ring
- H. Beugel
- I. Schroef

**Figuur 3. Installatie van pomp op montagebeugel**

## 4.0 HYDRAULISCHE AANSLUITINGEN

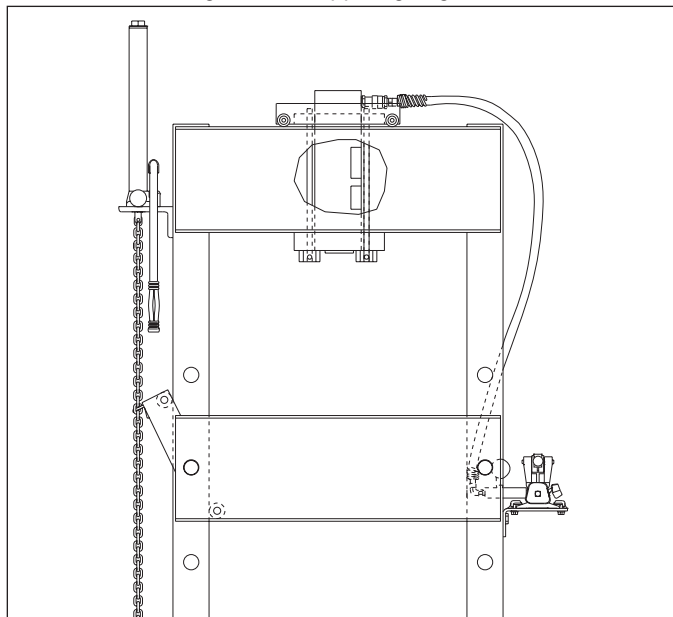


**LET OP:** Controleer of alle fittingen en koppelingen van de hydraulische slangen goed vast zitten en er geen lekkages zijn. Controleer of de slangen zo zijn geplaatst, dat ze tijdens het persen niet kunnen worden beschadigd. Draai alle verbindingen goed aan.

### 4.1 Enkelwerkende cilinders (zie figuur 4)

1. Sluit de manometeradapter aan op de uitlaatpoort van de pomp of klep.
2. Bevestig de manometer op de NPTF-aansluiting van de manometeradapter.
3. Monteer de 3/8-inch elleboog op de uitlaatpoort van de manometeradapter.
4. Bevestig het uiteinde met de uitwendige draad van de hydraulische slang op de 3/8-inch elleboog.
5. Bevestig de koppeling van de hydraulische slang op de bijpassende koppeling op de enkelwerkende cilinder.

**OPMERKING:** Zorg dat alle koppelingen goed vast zitten.



**Figuur 4. Hydraulische aansluitingen voor enkelwerkende cilinders**

### 4.2 Dubbelwerkende cilinders (zie figuur 5)

1. Sluit de manometeradapter aan op de correcte uitlaatpoort (zie de onderstaande opmerking) van de 4-weg klep die op de pomp is gemonteerd. De poorten zijn als volgt gelabeld:

A - Drukpoort - Uitlopen

B - Retourpoort - Intrekken

**OPMERKING:** Om te duwen, plaatst u de manometer in de hydraulische leiding voor het uitlopen van de plunjer.

Om te trekken, plaatst u de manometer in de hydraulische leiding voor het intrekken van de plunjer.

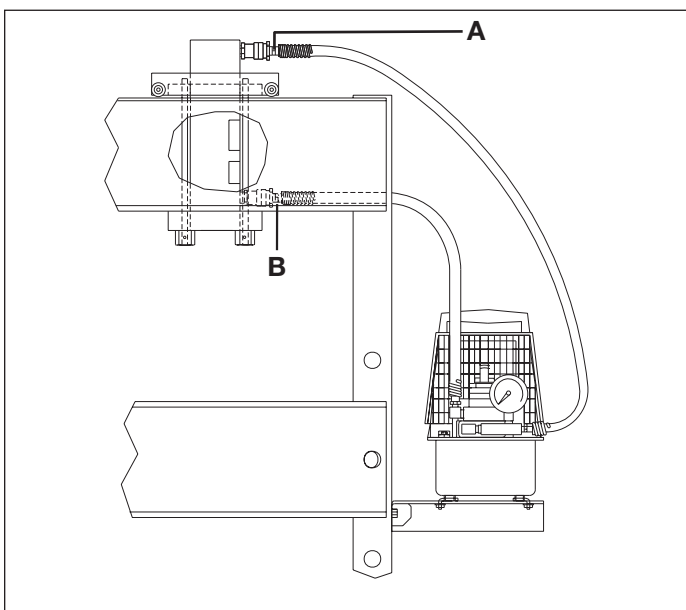
2. Bevestig de manometer op de NPTF-aansluiting van de manometeradapter.
3. Monteer de 3/8-inch elleboog op de uitlaatpoort van de manometeradapter. Monteer de tweede 3/8-inch elleboog op de overgebleven poort van de 4-weg klep.

4. Bevestig de uiteinden met uitwendige schroefdraad van beide hydraulische slangen op de 3/8-inch ellebogen.
5. Bevestig de koppeling van de hydraulische slang voor het uitlopen op de bijpassende koppeling van de dubbelwerkende cilinder die zich het dichtst aan de bodemzijde van de behuizing bevindt (A).
6. Bevestig de koppeling van de hydraulische slang voor het intrekken op de bijpassende koppeling van de dubbelwerkende cilinder die zich het dichtst aan de kant van de plunjer bevindt (B).

**OPMERKING:** Zorg dat alle koppelingen goed vast zitten.

## 5.0 ONDERBED VERSTELLEN

### 5.1 Modellen van 10 en 12 ton



**Figuur 5. Hydraulische aansluitingen voor dubbelwerkende cilinders**

Alvorens het onderbed omhoog of omlaag te bewegen, tilt u eerst de steunplaat omhoog, zodat het gewicht niet langer op de pennen van de plaat rust. Verwijder de borgpennen, die zich onder de plaat bevinden. Stel het onderbed in op de gewenste hoogte en plaats de pennen terug.

### 5.2 Modellen van 25 tot 200 ton

#### Het onderbed omhoog of omlaag bewegen

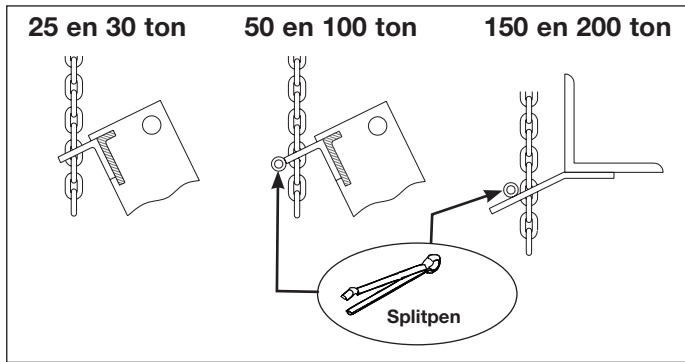


**WAARSCHUWING:** Houd uw handen uit de buurt van het onderbed/steunplaat en het frame wanneer u het onderbed/steunplaat omhoog of omlaag beweegt met de vijzel.

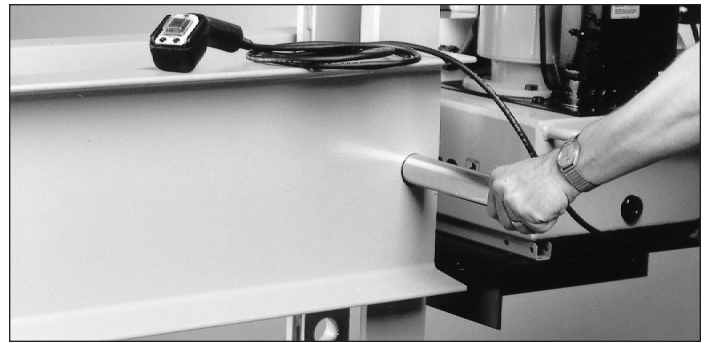


**WAARSCHUWING:** Verwijder alle voorwerpen van het onderbed / de steunplaat voordat u het onderbed / de steunplaat omhoog of omlaag beweegt.

1. Om het onderbed omhoog te bewegen, opent u de drukontlastklep van de vijzel en beweegt u de plunjer omlaag, zodat deze volledig uitloopt. (Als u het onderbed naar omlaag wilt verstellen, beweegt u de vijzelplunjer omhoog totdat deze geheel is ingetrokken).
2. Plaats de ketting in het hijs oog op het onderbed, zoals te zien is in figuur 6. Plaats een splitpen (alleen bij de modellen voor 50, 100, 150 en 200 ton).



**Figuur 6. Ketting en hijsog.**



**Figuur 9**

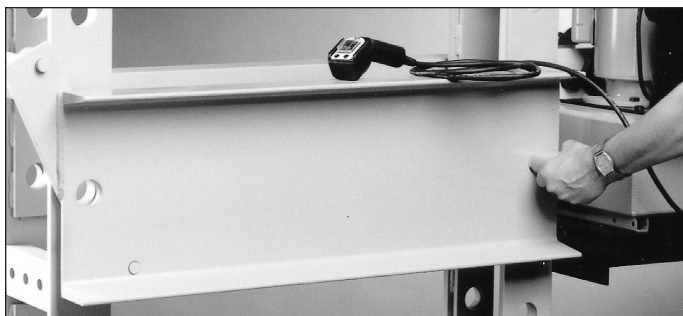


**WAARSCHUWING:** Controleer of de hijsketting volledig en veilig aangrijpt op het hijsog, voordat u het onderbed probeert te verstellen. Bij de modellen voor 50, 100, 150 en 200 ton controleert u altijd of de splitpen is aangebracht.

3. Verwijder de borgringen of O-ringen van de achterkant van de borgpennen.
4. Sluit de drukontlastklep op de vijzel.
5. Bedien de vijzel voor het onderbed totdat de borgpen aan de zijde van de ketting los raakt.
6. Draai aan de borgpen en trek deze naar buiten.
7. Bedien de vijzel voor het onderbed totdat ook de andere borgpen los raakt. Zie figuur 7.
8. Draai de tweede borgpen en trek deze naar buiten. Zie figuur 8.
9. Blijf de vijzel bedienen totdat de laagste onderbedopening aansluit op een opening in het frame van de pers. De laagste



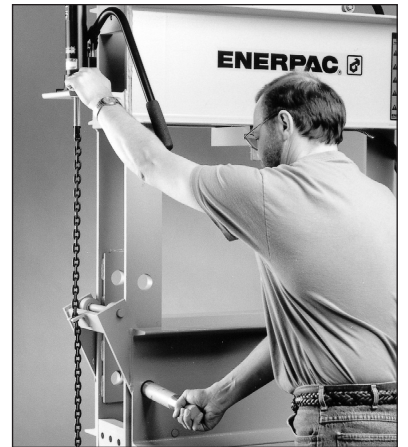
**Figuur 7**



**Figuur 8**

onderbedopening bevindt zich altijd aan de kant van de pers tegenover de kant waar de hijsketting zich bevindt. Plaats de borgpen. Zie figuur 9. (Als u de pers omlaag wilt bewegen, opent u langzaam de drukontlastklep van de vijzel en laat u het onderbed zakken totdat de onderbedopening aansluit op een opening in het frame. Sluit de drukontlastklep en plaats de borgpen.)

10. Open langzaam de drukontlastklep op de vijzel en laat het onderbed zakken totdat de overige borgpenopeningen op elkaar aansluiten. Sluit de drukontlastklep op de vijzel en plaats de borgpen. Zie figuur 10.
11. Installeer borgringen of O-ringen aan de achterkant van de borgpennen.
12. Open de drukontlastklep van de vijzel.
13. Haal de ketting uit het hijsog, om te voorkomen dat de ketting onbedoeld belast wordt.



**Figuur 10**

## 6.0 BEDIENING

### 6.1 Systeem instellen



**WAARSCHUWING:** Controleer voor een veilige werkwijze alle instellingen van de pers en alle bevestigingspunten van de last.

Centreer het werkstuk en alle onderdelen van de constructie boven de krachtlijn. Als bij het instellen afstandsringen worden gebruikt, moeten deze vanwege de stabiliteit uit één stuk bestaan of aan elkaar worden gelast.



**WAARSCHUWING:** Controleer of alle borgpennen van het onderbed volledig zijn ingestoken en de bolsterpennen aan het uiteinde zijn voorzien van borgringen, voordat de cilinder onder druk wordt gebracht of de pers wordt belast.

### 6.2 Het hydraulisch systeem ontluichten

**OPMERKING:** Ontluichten gaat sneller als de slangen zijn ontluicht voordat ze op de cilinderpoorten worden aangesloten.

Laat de cilinder meerdere keren uitlopen en weer intrekken om opbouw van druk te voorkomen. Zodra de cilinder soepel heen en weer beweegt, is het systeem volledig ontluicht.

### 6.3 Handpompen

1. Sluit de drukontlastklep handvast.
2. Bedien de pomphendel om druk op te bouwen. De druk blijft behouden tot de drukontlastklep wordt geopend.
3. Open de drukontlastklep om de druk vrij te geven.

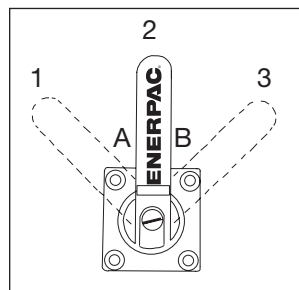
### 6.4 P-462 pompen

1. Breng het stuurventiel in de uitloopstand en bedien de pomphendel om druk op te bouwen.
2. De druk blijft behouden tot het stuurventiel in de intrekstand wordt gebracht.

### 6.5 P-84 en P-464 pompen

Zie figuur 11. Breng de hendel van het stuurventiel in de hieronder aangegeven stand om de richting te bepalen en bedien de pomphendel:

- 1 - Om de cilinder te laten uitlopen.
- 2 - Breng de hendel van het stuurventiel in stand 2 om de druk vast te houden.
- 3 - Om de cilinder in te trekken.



**Figuur 11**

### 6.6 Elektrische pompen

Zie figuur 11.

1. Breng het stuurventiel in de uitloopstand en start de pomp om de cilinder te laten uitlopen.
2. Breng het stuurventiel in de neutrale stand wanneer de gewenste slaglengthe is bereikt.
3. Breng het stuurventiel in de intrekstand en start de pomp om de cilinder te laten teruglopen.

## 7.0 DE CILINDER POSITIONEREN

### 7.1 Modellen van 10 en 12 ton: zie figuur 12

1. Draai de inbusbouten (B) aan de bovenkant van het frame van de pers los, maar VERWIJDER ZE NIET.
2. Schuif het cilindermontageblok (A) naar de gewenste positie op het frame.
3. Draai de inbusbouten (B) aan.

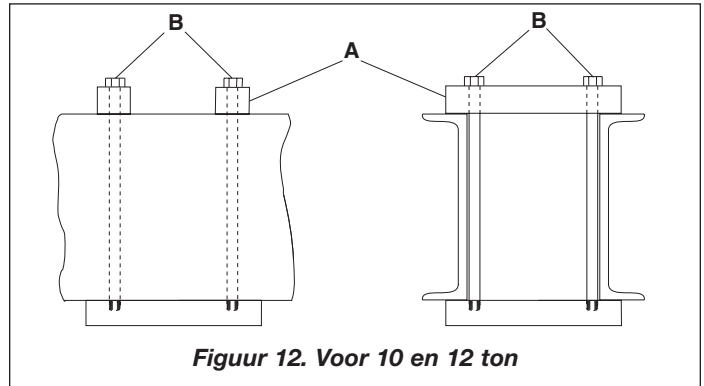
### 7.2 Modellen van 25 en 30 ton: zie figuur 13

1. Draai de vier moeren (C) aan de bovenkant van het frame van de pers los, maar VERWIJDER ZE NIET.
2. Schuif het cilindermontageblok (A) naar de gewenste positie op het frame.
3. Draai de moeren (C) aan wanneer de cilinder de gewenste positie heeft bereikt.

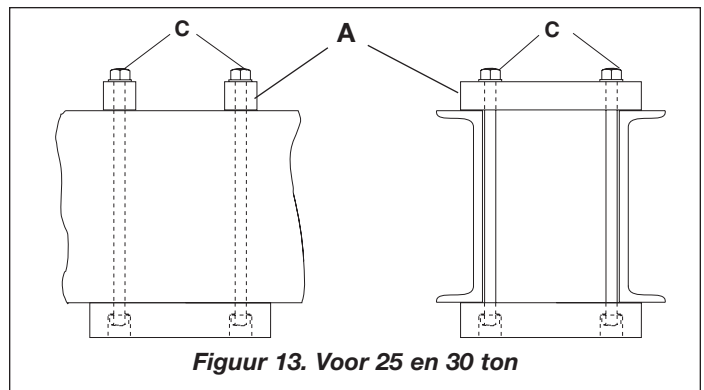
**OPMERKING:** Als de cilinder helemaal aan de linker- of rechterkant wordt gepositioneerd, wordt de capaciteit van de modellen van 25 en 30 ton ongeveer gehalveerd (tot 12 respectievelijk 15 ton).

### 7.3 Modellen van 50 tot 200 ton: zie figuur 14

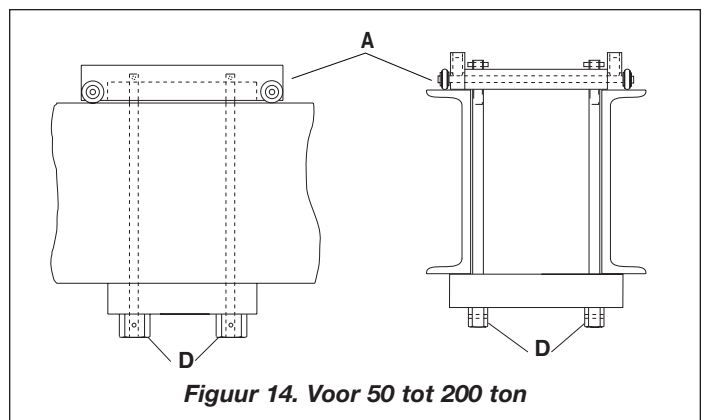
1. Draai de moeren van de twee trekstangen (D) onder de onderste steunbeugel van de cilinder los, maar VERWIJDER ZE NIET.
2. Schuif het cilindermontageblok (A) naar de gewenste positie op het frame.
3. Draai de moeren van de trekstangen (D) goed vast wanneer de cilinder de gewenste positie heeft bereikt.



**Figuur 12. Voor 10 en 12 ton**



**Figuur 13. Voor 25 en 30 ton**



**Figuur 14. Voor 50 tot 200 ton**

## 8.0 ONDERHOUD

### 8.1 Hydraulisch systeem

1. Houd alle hydraulische onderdelen vrij van vuil, vet en spanen.
2. Controleer het hydraulisch systeem periodiek op beschadigde onderdelen, losgeraakte verbindingen en lekkage. Beschadigde of lekkende onderdelen moeten onmiddellijk worden gerepareerd of vervangen.
3. Vervang na elke 50 bedrijfsuren de hydraulische olie in het systeem.
4. Gebruik alleen hydraulische olie van Enerpac. Andere vloeistoffen kunnen schade aan het systeem veroorzaken en brengen uw garantie van Enerpac in gevaar.
5. Raadpleeg het instructieblad dat met elke pomp en cilinder wordt meegeleverd voor de complete gebruiksaanwijzing van hydraulische componenten.

### 8.2 Het persframe

1. Houd de werkplek en het onderbed vrij van vuil, splinters en overbodige gereedschappen en bevestigingsmiddelen.
2. Controleer het persframe periodiek op loszittende bouten en beschadigde onderdelen. Vervang of repareer onmiddellijk beschadigde onderdelen.
3. Als de verf ernstig is afgebladderd, moet de installatie opnieuw worden geschilderd om roest te voorkomen en het uiterlijk van het persframe netjes te houden.

PROBLEMEN OPLOSSEN		
Probleem	Mogelijke oorzaak	Oplossing
Cilinder loopt niet uit, loopt langzaam uit of loopt schoksgewijs uit.	Oliepeil in pomp is laag. Drukontlastklep van pomp staat open. Losse hydraulische koppeling. Last is te zwaar.  Lucht in het systeem.  Plunjer zit vast.	Vul olie bij volgens de instructies bij de pomp. Sluit de drukontlastklep van de pomp. Controleer of alle koppelingen goed vast zitten. Niet zwaarder belasten dan het aangegeven tonnage. Ontlucht het systeem volgens de instructies op pagina 28. Controleer de cilinder op schade. Laat de cilinder nakijken door een erkende hydraulische monteur.
Cilinder loopt uit, maar houdt de druk niet vast.	Lekkende aansluiting.  Lekkende cilinderafdichtingen.  Inwendige lekkage in de pomp.	Controleer of alle aansluitingen goed vast zitten en niet lekken. Spoor uitwendige lekken op en laat de apparatuur nakijken door een erkende hydraulische monteur. Laat de pomp nakijken door een erkende hydraulische monteur.
Cilinder wordt niet ingetrokken, wordt onvolledig ingetrokken of wordt trager ingetrokken dan normaal.	Pompreservoir is te vol.  Losse hydraulische koppeling. Lucht in het systeem.	Tap olie af tot aan de vol-indicatie. Zie de instructies voor het bijvullen van olie. Controleer of alle koppelingen goed vast zitten. Ontlucht het systeem volgens de instructies op pagina 28.
	<b>Enkelwerkende systemen:</b>	
Cilinder wordt niet ingetrokken, wordt onvolledig ingetrokken of wordt trager ingetrokken dan normaal.	Drukontlastklep van pomp is gesloten. Retourveer van cilinder defect of andere schade aan cilinder. Cilinderhulpstukken zijn te zwaar voor een enkelwerkende cilinder. Koppeling zit niet goed vast.	Open de drukontlastklep van de pomp. Laat de cilinder nakijken door een erkende hydraulische monteur. Gebruik een dubbelwerkende cilinder om te controleren of alle koppelingen goed vast zitten.

## Notes:

---

---

---

---

---

---

---

---

---

---

---

---

---

---

---

---

---

---

---

---

---

---

---

---

---

**ENERPAC**   
<http://www.enerpac.com>