

**To Protect Your Warranty, Use Only
ENERPAC Hydraulic Oil.**

Enerpac recommends that all kit components be installed to insure optimum performance of the repaired product.

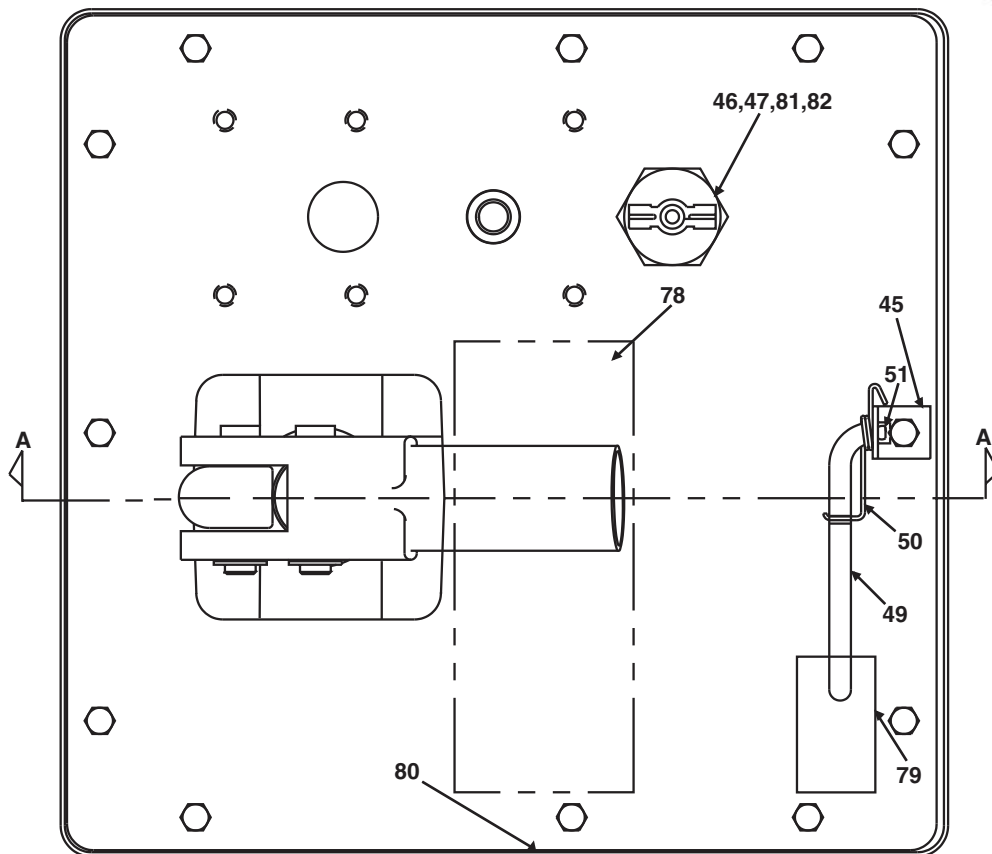


Figure 1

Repair Parts List for Figure 1

Item	Part Number	Qty.	Description	Item	Part Number	Qty.	Description
45	See item 49	1	Bracket	78	*	1	Decal
46	★	1	O-Ring	79	*	1	Decal
47	CA563024SR	1	Fill Plug (includes items 46, 81, 82)	80	*	2	Enerpac Decal (not shown)
49	CB546017SR	1	Hook (includes items 51, 45, 50)	81	See item 47	1	Vent Plug
50	See item 49	1	Spring	82	*	1	Fill Decal
51	Standard hardware	1	Cotter Pin 3/32 x 1/2				

★ Indicates items included in, and available ONLY as part of Repair Kit P462K3.

* Indicates items included in, and available ONLY as part of Pump Decal Set P4642DS.

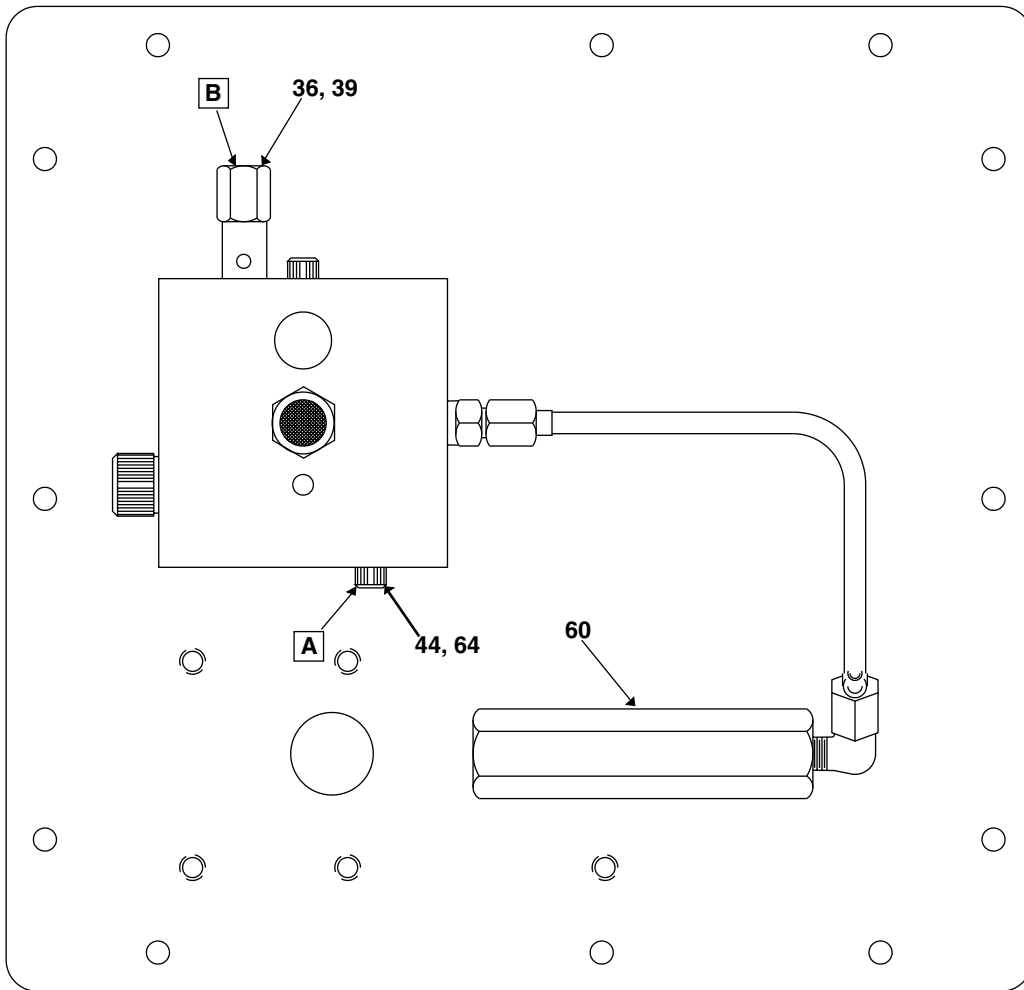


Figure 2

TORQUE SPECS AND RELIEF SETTINGS	
A	Torque item 64 to 7-9 ft-lbs.
B	Set relief valve (item 39) to 10,800 psi max. Torque to 25-30 ft.-lbs.

Parts List - Figure 2			
Item	Part Number	Qty.	Description
36	★	1	Gasket
39	P181190W	1	Relief Valve (includes item 36)
44	★	1	Gasket
60	DA4885038	1	Adaptor
64	B1002028SR	1	Screw (includes Item 44)
★ Indicates items included in, and available ONLY as part of Repair Kit P462K3.			

TORQUE SPECS AND RELIEF SETTINGS	
A	Torque item 33 to 25-30 ft-lbs.
B	Set relief valve (item 39) to 10,000-10,500 psi. Torque to 25-30 ft-lbs.
C	Torque tube nuts (item 40) to 50-150 in-lbs.
D	Torque item 25 to 50-70 ft-lbs.
E	Torque item 14 to 24-29 ft-lbs.
F	Drill out stake mark before removing. Apply Loctite #222 to threads of item 6 before assembling.
G	Torque item 52 to 60-65 in-lbs.
H	Apply Loctite #222 to threads of item 23 before assembling.

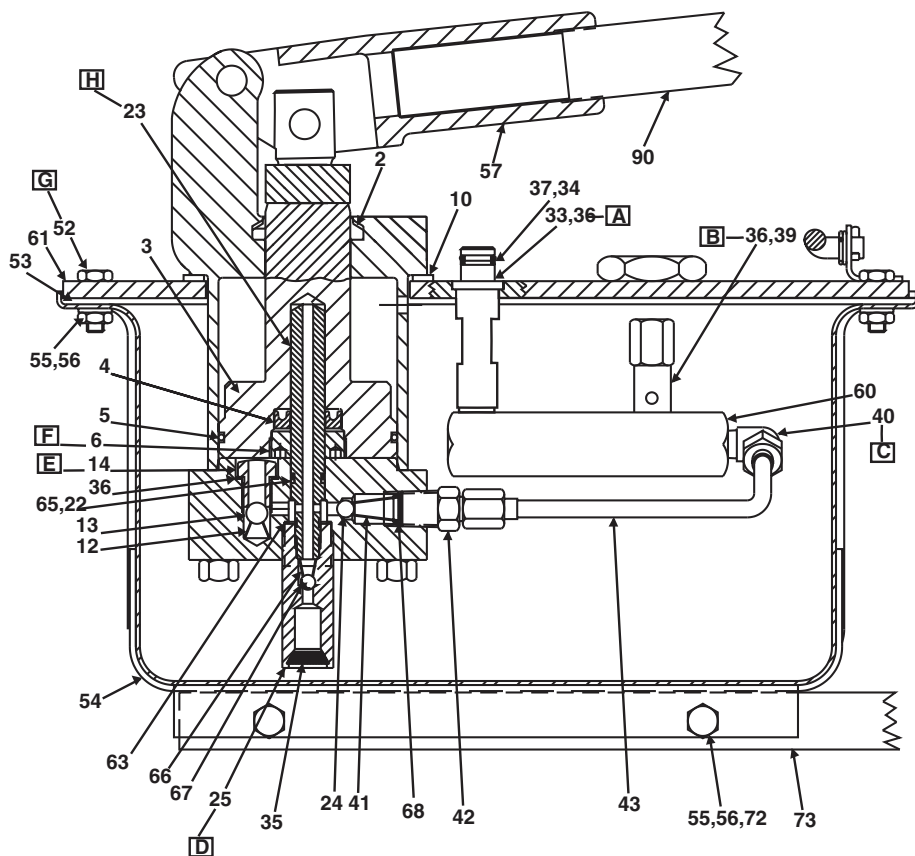
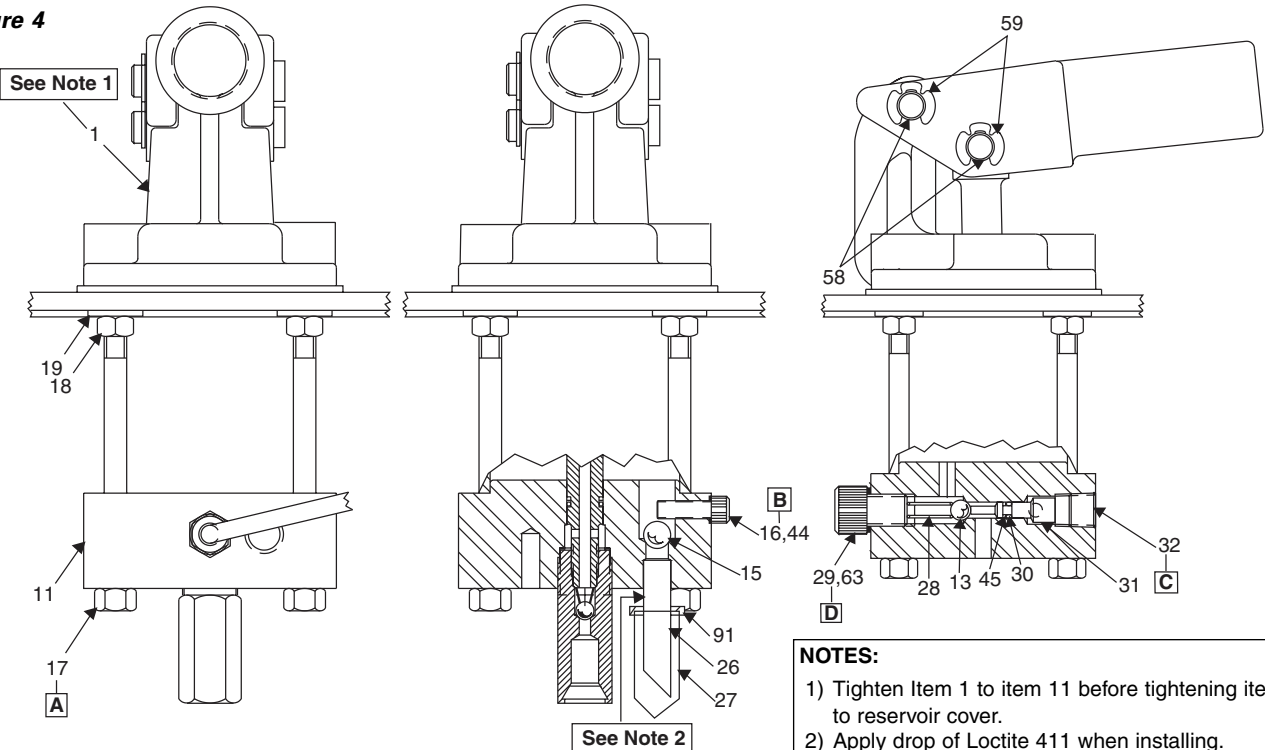


Figure 3

Repair Parts List for Figure 3							
Item	Part Number	Qty.	Description	Item	Part Number	Qty.	Description
2	★	1	Wiper Ring	41	★	1	Spring
3	DA4087051SR	1	Plunger Assy. (includ. items 6,5,4)	42	CB548096SR	1	Connector (includes items 68,41,24)
4	★	1	U-Cup	43	DA5048268	1	Tube
5	★	1	O-Ring	52	Standard hardware	12	Hex Bolt 1/4-20 NC x 3/4
6	F20005	1	Retaining Nut	53	★	1	Gasket
10	★	1	Gasket	54	CB519025SR	1	Reservoir (includes item 53)
12	★	1	Spring	55	Standard hardware	15	Lockwasher 1/4"
13	★	1	5/16" Ball	56	Standard hardware	15	Nut 1/4-20 NC
14	C596185SR	1	Valve Plug (includes items 36,13,12)	57	CB722060	1	Beam
22	★	1	O-Ring	60	DA4885038	1	Adaptor
23	DA4088051SR	1	Piston (includes items 63,22,65)	61	DA4887098SR	1	Coverplate (includes items 10,53)
24	★	1	1/4" Ball	63	★	1	Gasket
25	DA4109290SR	1	Inlet Seat (includes items 35,67,66,63)	65	★	1	Back-Up Washer
33	DA4889038SR	1	Adaptor (includes items 37,34,36)	66	★	1	Spring
34	★	1	Back-Up Washer	67	★	2	7/32" Ball
35	★	1	Filter	68	★	1	Spring Cap
36	★	3	Gasket	72	Standard hardware	4	Hex Bolt 1/4-20 NC x 1 3/4
37	★	1	O-Ring	73	CB550636	1	Pump Leg
39	P181190W	1	Relief Valve (includes item 36)	90	C397900W	1	Handle & Grip Assembly
40	B202291	1	Elbow				

★ Indicates items included in, and available ONLY as part of Repair Kit P462K3.

Figure 4



NOTES:
 1) Tighten Item 1 to item 11 before tightening item 1 to reservoir cover.
 2) Apply drop of Loctite 411 when installing.

TORQUE SPECS

A) Torque item 18 to 10-12 ft-lbs.	B) Torque item 16 to 7-9 ft-lbs.	C) Torque item 32 to 44-53 ft-lbs.	D) Torque item 63 to 25-30 ft-lbs.
------------------------------------	----------------------------------	------------------------------------	------------------------------------

Repair Parts List for Figure 4

Item	Part Number	Qty.	Description	Item	Part Number	Qty.	Description
1	DA4840001	1	Housing	29	B1131028SR	1	Capscrew (includes items 13,28,63)
11	DA4098191	1	Pump Body	30	★	1	O-Ring
13	★	2	5/16" Ball	31	DA4108051SR	1	Piston (includes items 32,30,45)
15	★	1	3/8" Ball	32	See item 31	1	Plug
16	B1008028SR	1	Screw (includes item 44)	44	★	1	Gasket
17	DC230028	4	Socket Hd. Capscrew	45	★	1	Back-Up Washer
18	Standard hardware	4	Hex Nut 5/6-18 UNC	58	DA4888061SR	2	Beam Pin (includes item 59)
19	Standard hardware	4	Lockwasher 5/6"	59	★	2	Retaining Ring
26	DA4884268SR	1	Tube (includes items 27,91)	63	★	2	Gasket
27	★	1	Filter (see item 26)	91	★	1	Clamp (see item 26)
28	★	1	Spring				

★ Indicates items included in, and available only as part of Repair Kit P462K3.

Enerpac Worldwide Locations

◆ e-mail: info@enerpac.com

◆ internet: www.enerpac.com

<p>Australia ENERPAC Applied Power Australia Ltd. Block V Unit 3 Regents Park Estate 391 Park Road Regents Park NSW 2143 (P.O. Box 261) Australia Tel: +1 905 564 5749 Fax: +61 297 438 648</p> <p>Canada Actuant Canada Corporation 6615 Ordan Drive, Unit 14-15 Mississauga, Ontario L5T 1X2 Tel: +1 905 564 5749 Fax: +1 905 564 0305</p> <p>Toll Free: Tel: +1 800 268 4987 Fax: +1 800 461 2456</p> <p>China Applied Power China Ltd. 1F, 269 Fute N. Road Waigaoqiao Free Trade Zone Pudong New District Shanghai, 200 131 China Tel: +86 21 5866 9099 Fax: +86 21 5866 7156</p>	<p>France, Turkey, Greece, Africa, Middle East ENERPAC S.A. B.P. 200 Parc d'Activités du Moulin de Massy F-91882 Massy CEDEX (Paris) France Tel: +33 1 601 368 68 Fax: +33 1 692 037 50</p> <p>Germany, Switzerland, Austria, Eastern Europe ENERPAC Applied Power GmbH P.O. Box 300113 D-40401 Düsseldorf Germany Tel: +49 211 471 490 Fax: +49 211 471 49 28</p> <p>Hong Kong ENERPAC Room 907 Workingberg Commercial Building 41-47 Marble Road North Point Tel: +852-2561 6295 Fax: +852-2561 6772</p>	<p>India ENERPAC Hydraulics (India) Pvt Ltd Plot No. A-571 MIDC, TTC Industrial Area Mahape-400 701 Navi Mumbai, India Tel: +91 22 769 47 78 Fax: +91 22 769 84 73</p> <p>Italy ENERPAC Applied Power Italiana S.p.A. Via Canova 4 20094 Corsico (Milano) P.O. Box 300113 Tel: +39 02 4861 1110 Fax: +39 02 4860 1288</p> <p>Japan Applied Power Japan Ltd. 1-1-11, Shimomae Toda-shi Saitama Pref. Japan 335-0016 Tel: +81-48-430-2311 Fax: +81-48-430-1117</p>	<p>Mexico ENERPAC Applied Power Mexico S.A. de C.V. Avenida Principal La Paz #100 Fracc. Industrial La Paz 42092 Pachuca, Hidalgo Tel: +52 771 337 00 Fax: +52 771 838 00</p> <p>The Netherlands, Belgium, Luxembourg, Sweden, Denmark, Norway, Finland, United Kingdom, Ireland ENERPAC B.V. Storkstraat 25 P.O. Box 269, 3900 AG Veenendaal The Netherlands Tel: +31 318 535 911 Fax: +31 318 525 613 +31 318 535 848 UK, Ireland Tel: +44 01527 598 900 Fax: +44 01527 585 500</p>	<p>Singapore Applied Power Asia Pte Ltd No. 8, Ang Mo Kio, Industrial Park 2 #01-00 Singapore 569500 Thomson Road P.O. Box 114 Singapore 915704 Tel: +65 484 5108 Fax: +65 484 5669</p> <p>South Korea ENERPAC Applied Power Korea Ltd. 163-12 Dodang-Dong Wonmi-Ku, Buchun-shi Kyunggi-Do Republic of Korea Tel: +82 32 675 08 36 Fax: +82 32 675 30 02/73</p>	<p>Spain, Portugal ENERPAC Applied Power International S.A. Avda. Camino de lo Cortao 21 - Nave 3 San Sebastian de los Reyes 28709 Madrid Spain Tel: +34 91 661 11 25 Fax: +34 91 661 47 89</p> <p>USA, Latin America and Caribbean ENERPAC P.O. Box 3241 6100 N. Baker Road Milwaukee, WI 53209 USA Tel: +1 262 781 6600 Fax: +1 262 783 9562</p> <p>User inquiries: +1 800 433 2766 Distributor inquiries/orders: +1 800 558 0530</p>
--	---	---	--	---	---

All Enerpac products are guaranteed against defects in workmanship and materials for as long as you own them.
 For your nearest authorized Enerpac Service Center, visit us at www.enerpac.com