

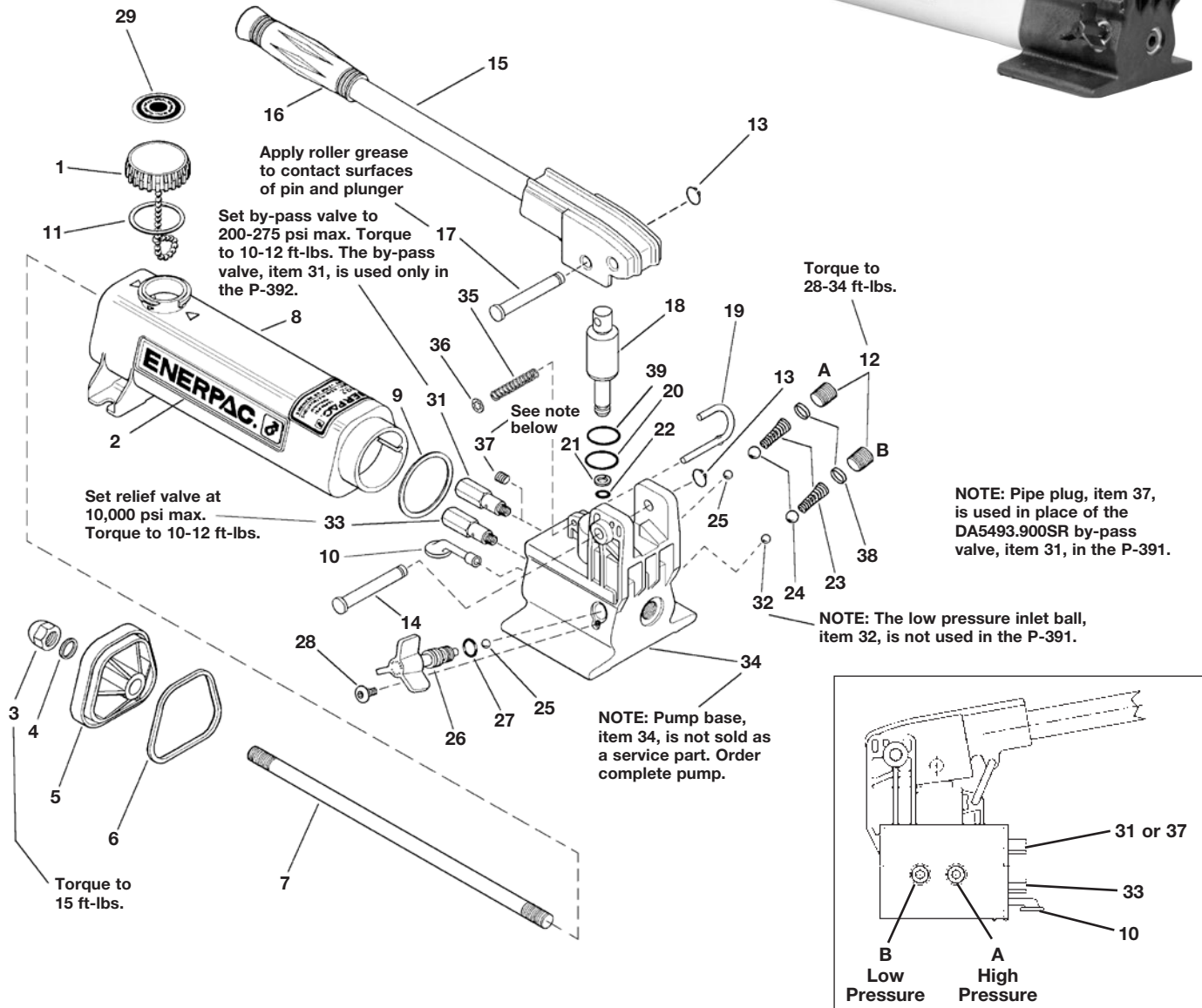
Index:

| | |
|----------------|-----|
| English..... | 1-2 |
| Português..... | 3-4 |
| Polski..... | 5-6 |

**To Protect Your Warranty,
Use Only ENERPAC Hydraulic Oil.**
Enerpac recommends that all kit components be installed
to insure optimum performance of the repaired product.

WARNING:

To ensure that the internal relief valve setting is correct, check the model number when servicing the product. The setting may require adjustment based on the pressure setting designated by the dash code (-XXXX) of the model number.



Repair Parts List for Figure 1

| Item | Part No. | Qty. | Description | Item | Part No. | Qty. | Description |
|------|-------------|------|---|------|---------------------|------|--|
| 1 | CN766950SR | 1 | Vent Cap Assembly (incl. item 11,29) | 19 | CM927061SR | 1 | Locking Pin (incl. item 35,36) |
| 2 | ★ | 1 | Enerpac Decal | 20 | ★ | 1 | O-Ring |
| 3 | CL341055 | 1 | Acorn Nut | 21 | ★ | 1 | Back-Up Ring |
| 4 | ★ | 1 | Gasket | 22 | ★ | 1 | O-Ring |
| 5 | CN814020SR | 1 | End Cap (incl. item 3,4,6) | 23 | ★ | 2 | Spring |
| 6 | ★ | 1 | Gasket O-Ring | 24 | ★ | 2 | 5/16" Ball |
| 7 | CL127149 | 1 | Tie Rod | 25 | ★ | 2 | 7/32" Ball |
| 8 | CR72025SR | 1 | Reservoir (yellow incl. item 2,3,4,6,9,11) | 26 | CL913900SR | 1 | Spindle Assembly (incl. item 25,27,28) |
| | S95032025 | 1 | Reservoir (red incl. item 2,3,4,6,9,11) | 27 | ★ | 1 | O-Ring |
| 9 | ★ | 1 | Gasket | 28 | ★ | 1 | Screw |
| 10 | DA3729900SR | 1 | Oil Filter | 29 | ★ | 1 | Vent Cap Decal |
| 11 | ★ | 1 | Gasket | 31 | DA5493900SR | 1 | Bypass Valve (P392 Only) |
| 12 | CN815006 | 2 | Pipe Plug | 32 | ★ | 1 | 7/32" Inlet Check Ball (P392 Only) |
| 13 | ★ | 2 | Retaining Ring | 33 | DA8802900SR | 1 | Relief Valve |
| 14 | ★CR214061SR | 1 | Beam Pin (incl. item 13) | 34 | Order complete pump | 1 | Base (not available as service item) |
| 15 | CL918900SR | 1 | Beam and Handle Assembly | 35 | ★ | 1 | Spring |
| 16 | CL343550 | 1 | Handle Grip | 36 | ★ | 1 | Retaining Ring |
| 17 | DC106061SR1 | 1 | Cross Pin | 37 | A1006245 | 1 | Pipe Plug (P391 Only) |
| 18 | CR333040SR | 1 | Plunger Assembly (incl. item 13,17,21,22) | 38 | ★ | 2 | Spring Cap |
| | | | | 39 | ★ | 1 | Wiper |

★ Indicates items included in, and available only as part of Repair Kit P391K2

NOTE: Bypass Valve, Item 31, and Inlet Check Ball, Item 32, are not used in the single-speed P391 model pump.

Use Item 37 in place of Item 31.

Lista de peças sobressalentes para figura 1

| Item | Nº. peça | Qtd. | Descrição | Item | Nº. peça | Qtd. | Descrição |
|------|--------------|------|--|------|----------------------------|------|--|
| 1 | CN766950SR | 1 | Conjunto da tampa de abertura (incl. item 11,29) | 19 | CM927061SR | 1 | Pino de bloqueio (incl. item 35,36) |
| 2 | ★ | 1 | Autocolante Enerpac | 20 | ★ | 1 | Junta em O |
| 3 | CL341055 | 1 | Porca de capa | 21 | ★ | 1 | Anel auxiliar |
| 4 | ★ | 1 | Junta | 22 | ★ | 1 | Junta em O |
| 5 | CN814020SR | 1 | Tampa (incl. item 3,4,6) | 23 | ★ | 2 | Mola |
| 6 | ★ | 1 | Junta em O | 24 | ★ | 2 | Esfera 5/16" |
| 7 | CL127149 | 1 | Barra transversal | 25 | ★ | 2 | Esfera 7/32" |
| 8 | CR72025SR | 1 | Reservatório (amarelo incl. item 2,3,4,6,9,11) | 26 | CL913900SR | 1 | Conjunto do fuso (incl. item 25,27,28) |
| | S95032025 | 1 | Reservatório (vermelho incl. item 2,3,4,6,9,11) | 27 | ★ | 1 | Junta em O |
| 9 | ★ | 1 | Junta | 28 | ★ | 1 | Parafuso |
| 10 | DA3729900SR | 1 | Filtro de óleo | 29 | ★ | 1 | Autocolante para tampa de abertura |
| 11 | ★ | 1 | Junta | 31 | DA5493900SR | 1 | Válvula de desvio (apenas P392) |
| 12 | CN815006 | 2 | Tampa da tubulação | 32 | ★ | 1 | 7/32" Esfera da entrada da válvula de controlo (apenas P392) |
| 13 | ★ | 2 | Anel de retenção | 33 | DA8802900SR | 1 | Válvula de escape |
| 14 | ★ CR214061SR | 1 | Pino da barra (incl. item 13) | 34 | Encomende a bomba completa | 1 | Base (não disponível como peça de serviço) |
| 15 | CL918900SR | 1 | Conjunto barra e pega | 35 | ★ | 1 | Mola |
| 16 | CL343550 | 1 | Manipulo | 36 | ★ | 1 | Anel de retenção |
| 17 | DC106061SR1 | 1 | Pino cruzado | 37 | A1006245 | 1 | Tampa da tubulação (apenas P391) |
| 18 | CR333040SR | 1 | Conjunto do êmbolo (incl. item 13,17,21,22) | 38 | ★ | 2 | Tampa da mola |
| | | | | 39 | ★ | 1 | Raspador |

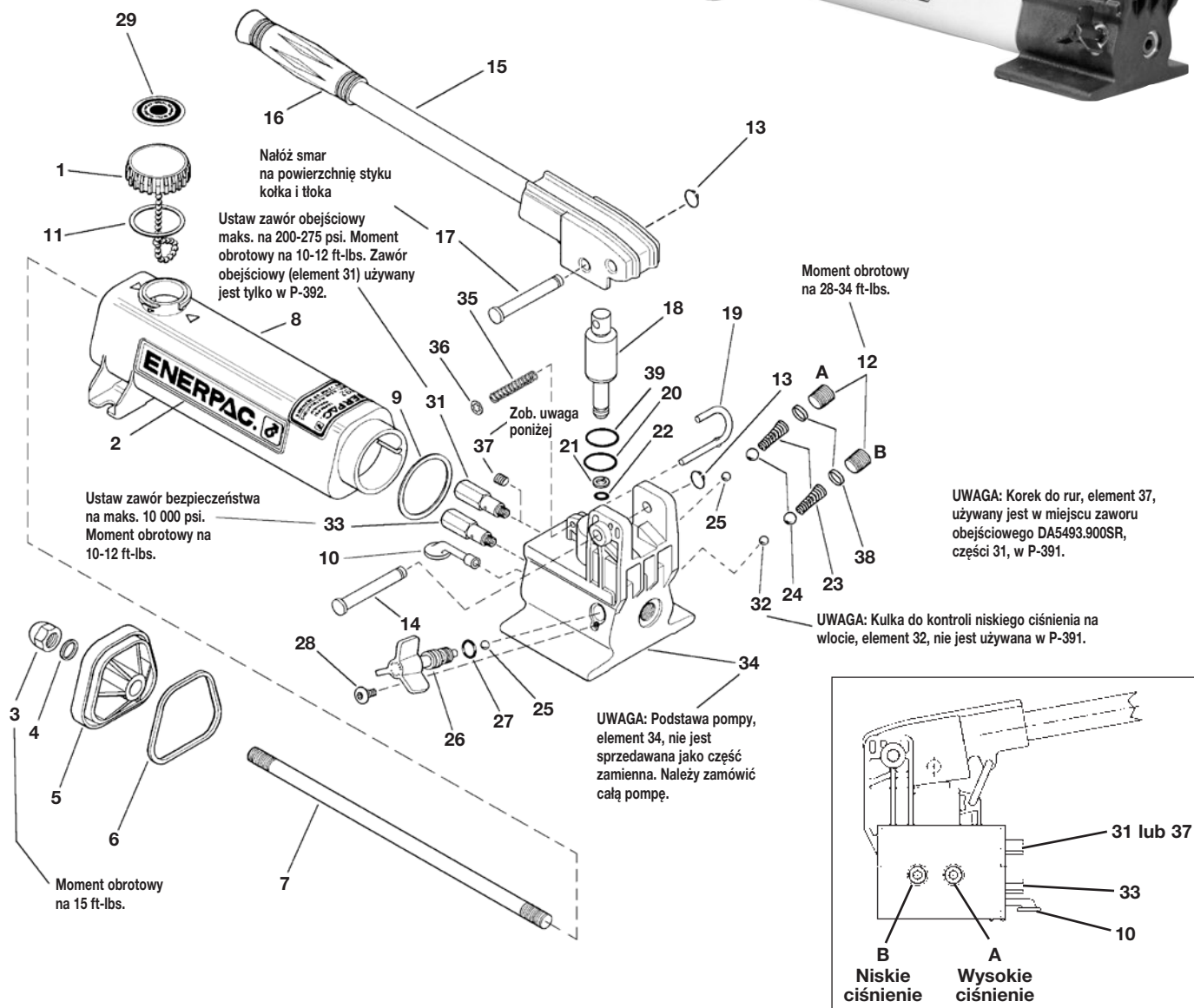
★ Indica itens exclusivos do kit de reparação P391K2

NOTA: A válvula de desvio, item 31, e a esfera de entrada da válvula de controlo, item 32, não são utilizadas para o modelo de bomba com uma velocidade P391. Utilize o item 37 em vez do item 31.

**Aby zachować ważność gwarancji,
należy używać wyłącznie oleju hydraulicznego firmy ENERPAC.**
Firma Enerpac zaleca instalację wszystkich komponentów zestawu, aby zapewnić optymalną wydajność
naprawionego produktu.

OSTRZEŻENIE:

Aby zapewnić właściwą nastawę wewnętrznego zaworu bezpieczeństwa, sprawdź numer modelu podczas przeglądu produktu. Nastawa może wymagać regulacji zgodnie z ustawieniem ciśnienia wskazanym przez kod (-XXXX) w numerze modelu.



Lista części zamiennych do rysunku 1

| Element | Nr części | Ilość | Opis | Element | Nr części | Ilość | Opis |
|---------|--------------|-------|---|---------|---------------------------|-------|--|
| 1 | CN766950SR | 1 | Zespół nakrywki odpowietrzającej (z elementami 11,29) | 19 | CM927061SR | 1 | Kolek zabezpieczający (z elementami 35,36) |
| 2 | ★ | 1 | Nalepka Enerpac | 20 | ★ | 1 | O-Ring |
| 3 | CL341055 | 1 | Nakrętka kolpakowa | 21 | ★ | 1 | Pierścień zapasowy |
| 4 | ★ | 1 | Uszczelka | 22 | ★ | 1 | O-Ring |
| 5 | CN814020SR | 1 | Nasadka końcowa (z elementami 3,4,6) | 23 | ★ | 2 | Sprężyna |
| 6 | ★ | 1 | Uszczelka O-Ring | 24 | ★ | 2 | Kulka 5/16" |
| 7 | CL127149 | 1 | Drażek kierowniczy | 25 | ★ | 2 | Kulka 7/32" |
| 8 | CR72025SR | 1 | Zbiornik (żółty z elementami 2,3,4,6,9,11) | 26 | CL913900SR | 1 | Zespół wrzeciona (z elementami 25,27,28) |
| | S95032025 | 1 | Zbiornik (czerwony z elementami 2,3,4,6,9,11) | 27 | ★ | 1 | O-Ring |
| 9 | ★ | 1 | Uszczelka | 28 | ★ | 1 | Śruba |
| 10 | DA3729900SR | 1 | Filtr oleju | 29 | ★ | 1 | Nalepka na nakrywkę |
| 11 | ★ | 1 | Uszczelka | 31 | DA5493900SR | 1 | Zawór obejściowy (tylko P392) |
| 12 | CN815006 | 2 | Korek do rur | 32 | ★ | 1 | Kulka kontrolna 7/32" na wlocie (tylko P392) |
| 13 | ★ | 2 | Pierścień ustalający | 33 | DA8802900SR | 1 | Zawór bezpieczeństwa |
| 14 | ★ CR214061SR | 1 | Kolek dźwigni (z elementem 13) | 34 | Należy zamówić całą pompę | 1 | Podstawa (nieдоступna jako część zamienna) |
| 15 | CL918900SR | 1 | Zespół dźwigni i uchwytu | 35 | ★ | 1 | Sprężyna |
| 16 | CL343550 | 1 | Rękojeść | 36 | ★ | 1 | Pierścień ustalający |
| 17 | DC106061SR1 | 1 | Kolek poprzeczny | 37 | A1006245 | 1 | Korek do rur (tylko P391) |
| 18 | CR333040SR | 1 | Zespół tłoka (z elementami 13,17,21,22) | 38 | ★ | 2 | Nakładka na sprężynę |
| | | | | 39 | ★ | 1 | Wycierak |

★ Oznacza elementy dołączone i dostępne tylko jako część zestawu P391K2

UWAGA: Zawór obejściowy, element 31, oraz kulka kontrolna na wlocie, element 32, nie są stosowane w modelu pompy jednostopniowej P391. Zastosuj element 37 w miejsce elementu 31.

Enerpac Worldwide Locations

◆ e-mail: info@enerpac.com

◆ internet: www.enerpac.com

Australia and New Zealand

Actuant Australia Ltd.
P.O. Box 6867
Wetherhill Park, NSW 1851
Block V Unit 3
Regents Park Estate
391 Park Road
Regents Park NSW 2143
Australia
T +61 287 177 200
F +61 297 438 648
sales-au@enerpac.com

Brazil

Power Packer do Brasil Ltda.
Rua Luiz Lawrie Reid, 548
09930-760 - Diadema (SP) - Brazil
T +55 11 5687 2211
Toll Free: 0800 891 5770
vendasbrasil@enerpac.com

China (Taicang)

Actuant (China) Industries Co. Ltd.
No. 6 Nanjing East Road,
Taicang Economic Dep Zone
Jiangsu, China
T +86 0512 5328 7500
F +86 0512 5335 9690
Toll Free: +86 400 885 0369
sales-cn@enerpac.com

France, Switzerland, North Africa and French speaking African countries

ENERPAC
Une division d'Actuant France S.A.S
Zone Orlytech Bâtiment 516
1 allée du commandant Mouchotte
CS 40351
91550 Paray-Vieille-Poste
France
T +33 1 60 13 68 68
F +33 1 69 20 37 50
sales-fr@enerpac.com

Germany and Austria

Actuant GmbH
P.O. Box 300113
D-40401 Düsseldorf
Willstätterstrasse 13
D-40549 Düsseldorf, Germany
T +49 211 471 490
F +49 211 471 49 28
sales-de@enerpac.com

India

Actuant India Private Limited
No. 10, Bellary Road, Sadashivanagar,
Bangalore, Karnataka 560 080
India
T +91 80 3928 9000
info@enerpac.co.in

Italy

ENERPAC S.p.A.
Via Canova 4
20094 Corsico (Milano)
T +39 02 4861 111
F +39 02 4860 1288
sales-it@enerpac.com

Japan

Applied Power Japan LTD KK
Besshocho 85-7
Kita-ku, Saitama-shi 331-0821, Japan
T +81 48 662 4911
F +81 48 662 4955
sales-jp@enerpac.com

Middle East, Egypt and Libya

ENERPAC Middle East FZE
Office 423, LOB 15
P.O. Box 18004, Jebel Ali, Dubai
United Arab Emirates
T +971 (0)4 8872686
F +971 (0)4 8872687
sales-ua@enerpac.com

Russia

Rep. office Enerpac
Russian Federation
Admiral Makarova Street 8
125212 Moscow, Russia
T +7 495 98090 91
F +7 495 98090 92
sales-ru@enerpac.com

Norway

Sales Office Norway
Unit 524, Nydalsveien 28, 0484 Oslo
P.O. Box 4814, Nydalen 0422 Oslo
Norway
T +47 91 578 300
insidesalesnorway@enerpac.com

Southeast Asia, Hong Kong and Taiwan

Actuant Asia Pte Ltd.
83 Joo Koon Circle
Singapore 629109
T +65 68 63 0611
F +65 64 84 5669
Toll Free: +1800 363 7722
sales-sg@enerpac.com

South Korea

Actuant Korea Ltd.
3Ba 717, Shihwa Industrial Complex
Kyunggi-Do
Republic of Korea 429-450
T +82 31 434 4506
F +82 31 434 4507
sales-kr@enerpac.com

Spain and Portugal

ENERPAC SPAIN, S.L.
Avda. Valdelaparra N° 27 3ª - L8
28108 Alcobendas (Madrid), Spain
T +34 91 884 86 06
F +34 91 884 86 11
sales-es@enerpac.com

Sweden, Denmark Finland and Iceland

Enerpac Scandinavia AB
Kopparlundsvägen 14,
721 30 Västerås
Sweden
T +46 (0) 771 41 50 00
scandinavianinquiries@enerpac.com

The Netherlands, Belgium, Luxembourg, Central and Eastern Europe, Baltic States, Greece, Turkey and CIS countries

ENERPAC B.V.
Galvanistraat 115, 6716 AE Ede
P.O. Box 8097, 6710 AB Ede
The Netherlands
T +31 318 535 911
F +31 318 535 848
sales-nl@enerpac.com

Enerpac Integrated Solutions B.V.

Spinelstraat 15, 7554 TS Hengelo
P.O. Box 421, 7550 AK Hengelo
The Netherlands
T +31 74 242 20 45
F +31 74 243 03 38
integratedsolutions@enerpac.com

South Africa and other English speaking African countries

Enerpac Africa Pty Ltd.
No. 5 Bauhinia Avenue
Cambridge Office Park
Block E
Highveld Techno Park
Centurion 0157
Republic of South Africa
T: +27 12 940 0656
sales-za@enerpac.com

United Kingdom and Ireland

ENERPAC UK Ltd.
5 Coopies Field
Morpeth, Northumberland
NE61 6JR, England
T +44 1670 5010 00
sales-uk@enerpac.com

USA, Latin America and Caribbean

ENERPAC World Headquarters
P.O. Box 3241
Milwaukee WI 53201-3241 USA
N86 W12500 Westbrook Crossing
Menomonee Falls, Wisconsin 53051
T +1 262 293 1600
F +1 262 293 7036
User inquiries:
T +1 800 433 2766
Distributor inquiries/orders:
T +1 800 558 0530
F +1 800 628 0490
Technical inquiries:
techservices@enerpac.com
sales-us@enerpac.com

All Enerpac products are
guaranteed against defects
in workmanship and materials
for as long as you own them.

For the location of your nearest
authorized Enerpac Service Center,
visit us at www.enerpac.com