

**To Protect Your Warranty, Use Only ENERPAC Hydraulic Oil.**

Enerpac recommends that all kit components be installed to insure optimum performance of the repaired valve.

**NOTE:** Align the stamped line on item 14 with the zero on item 13 before tightening item 15.

**NOTE:** Torque item 13 to 85-90 Ft-Lbs.

**NOTE:** Safety Relief set at 12,000-12,500 psi

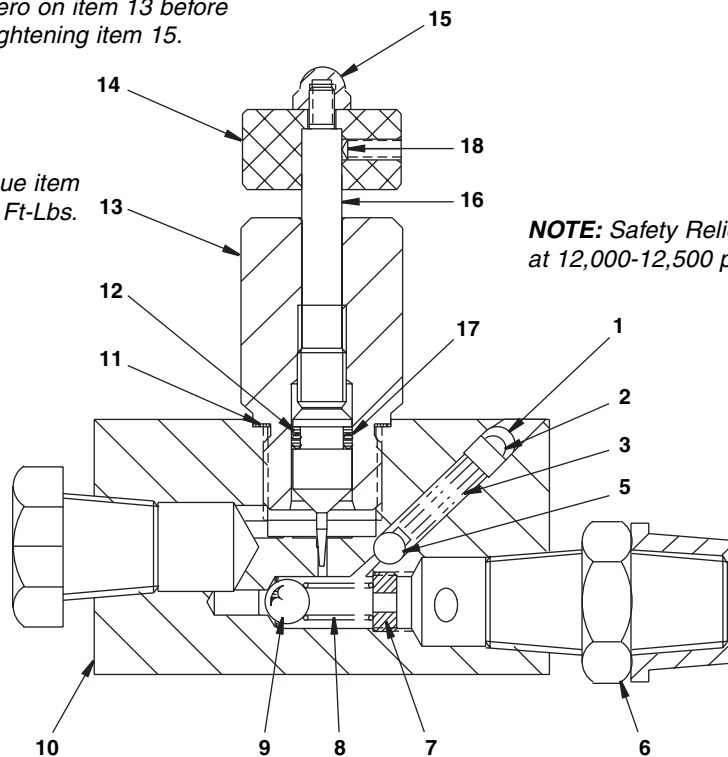


Figure 1, V-66F ASSEMBLY DRAWING

Repair Parts List for Figure 1

Item	Part Number	Qty.	Description	Item	Part Number	Qty.	Description
1	★Y245006	1	Lead Plug	11	★GB11167	1	Gasket
2	★A8004048	1	Set screw	12	★B1005503	1	Seal
3	★DA1892110	1	Compression Spring	13	DA4367190	1	Spindle Body
5	★B1003016	1	1/8" Ball	14	DA4407147	1	Knob
6	FZ1617	1	Pipe Nipple	15	★DA2360055	1	Acorn Nut
7	★G117013	1	Spring Retainer	16	DA4368010	1	Valve Spindle
8	★F477110	1	Spring	17	★B1010564	1	Back-Up
9	★B1006016	1	Ball	18	★BF1905027B	1	Screw Set
10	V66F	1	Body (Order Complete Valve)				

★ Items included in and available only as part of Repair Kit V161K.

## Enerpac Worldwide Locations

### Africa

ENERPAC Middle East FZE  
P.O. Box 18004  
Jebel Ali, Dubai  
United Arab Emirates  
Tel: +971 (0)4 8872686  
Fax: +971 (0)4 8872687

### Australia

ENERPAC, Applied Power Australia Ltd.  
Block V Unit 3, Regents Park Estate  
391 Park Road, Regents Park NSW 2143  
(P.O. Box 261) Australia  
Tel: +61 297 438 988  
Fax: +61 297 438 648

### Brazil

Power Packer do Brasil Ltda.  
Rua dos Inocentes, 587  
04764-050 - Sao Paulo (SP)  
Tel: +55 11 5687 2211  
Fax: +55 11 5686 5583  
**Toll Free in Brazil:**  
Tel: 0800 891 5770  
vendasbrasil@enerpac.com

### Canada

Actuant Canada Corporation  
6615 Ordan Drive, Unit 14-15  
Mississauga, Ontario L5T 1X2  
Tel: +1 905 564 5749  
Fax: +1 905 564 0305

### Toll Free:

Tel: +1 800 268 4987  
Fax: +1 800 461 2456

### Technical Inquiries:

techservices@enerpac.com

### China

Actuant China Ltd.  
1F, 269 Fute N. Road  
Waigaoqiao Free Trade Zone  
Pudong New District  
Shanghai, 200 131 China  
Tel: +86 21 5866 9099  
Fax: +86 21 5866 7156

Actuant China Ltd. (Beijing)

709A Xin No. 2  
Diyang Building  
Dong San Huan North Rd.  
Beijing City, 100028 China  
Tel: +86 10 845 36166  
Fax: +86 10 845 36220

### Central and Eastern Europe

ENERPAC B.V.  
Storkstraat 25  
P.O. Box 269, 3900 AG Veenendaal  
The Netherlands  
Tel: +31 318 535 936  
Fax: +31 318 535 951

### France

ENERPAC  
Une division de ACTUANT s.a.  
B.P. 200  
Parc d'Activités  
du Moulin de Massy  
F-91882 Massy CEDEX France  
Tel: +33 1 601 368 68  
Fax: +33 1 692 037 50

### Germany, Austria, Switzerland, Russia and CIS (excl. Caspian Sea Countries)

ENERPAC Applied Power GmbH  
P.O. Box 300113  
D-40401 Düsseldorf  
Germany  
Tel: +49 211 471 490  
Fax: +49 211 471 49 28

### India

ENERPAC Hydraulics (India) Pvt. Ltd.  
Plot No. A/571  
MIDC, TTC Industrial Area  
Mahape-400 701  
Navi Mumbai, India  
Tel: +91 22 2778 1472  
Fax: +91 22 2778 1473

◆ e-mail: [info@enerpac.com](mailto:info@enerpac.com)

### Italy

ENERPAC S.p.A.  
Via Canova 4  
20094 Corsico (Milano)  
Tel: +39 02 4861 111  
Fax: +39 02 4860 1288

### Japan

Applied Power Japan Ltd.  
1-1-11, Shimomae  
Toda-shi  
Saitama Pref.  
Japan 335-0016  
Tel: +81 484 30 1055  
Fax: +81 484 30 1066

### The Netherlands, Belgium, Luxembourg, Sweden, Denmark, Norway, Finland

ENERPAC B.V.  
Storkstraat 25  
P.O. Box 269, 3900 AG Veenendaal  
The Netherlands  
Tel: +31 318 535 911  
Fax: +31 318 525 613  
+31 318 535 848

### Technical Inquiries Europe:

techsupport.europe@enerpac.com

### Singapore

Enerpac Asia Pte. Ltd.  
25 Serangoon North Ave. 5  
#03-01 Keppel Dighub  
Singapore 554914  
Thomson Road  
P.O. Box 114  
Singapore 915704  
Tel: +65 64 84 5108, +65 64 84 3737  
1800 363 7722  
Fax: +65 64 84 5669  
**Technical Inquiries:**  
[sales@enerpac.com.sg](mailto:sales@enerpac.com.sg)

### South Korea

Actuant Korea Ltd.  
3Ba 717, Shihwa Industrial Complex,  
Jungwang-Dong, Shihung-Shi, Kyunggi-Do  
Republic of Korea 429-450  
Tel: +82 31 434 4506  
Fax: +82 31 434 4507

◆ internet: [www.enerpac.com](http://www.enerpac.com)

### Spain, Portugal

ENERPAC  
C/San José Artesano 8  
Pol. Ind.  
28108 Alcobendas  
(Madrid) Spain  
Tel: +34 91 661 11 25  
Fax: +34 91 661 47 89

### Middle East, Turkey , Caspian Sea, Greece

ENERPAC Middle East FZE  
P.O. Box 18004  
Jebel Ali, Dubai  
United Arab Emirates  
Tel: +971 (0)4 8872686  
Fax: +971 (0)4 8872687

### United Kingdom, Ireland

ENERPAC Ltd., P.O. Box 33  
New Romney, TN28 8QF  
United Kingdom  
Tel: +44 01797 363 639  
Fax: +44 01527 585 500

### USA, Latin America and Caribbean

ENERPAC  
P.O. Box 3241  
6100 N. Baker Road  
Milwaukee, WI 53209 USA  
Tel: +1 262 781 6600  
Fax: +1 262 783 9562

### User inquiries:

+1 800 433 2766

### Distributor inquiries/orders:

+1 800 558 0530

### Technical Inquiries:

techservices@enerpac.com

All Enerpac products are guaranteed against defects in workmanship and materials for as long as you own them.  
For your nearest authorized Enerpac Service Center, visit us at [www.enerpac.com](http://www.enerpac.com)