

# ENERPAC®

A UNIT OF APPLIED POWER INC. 

## Repair Parts Sheet

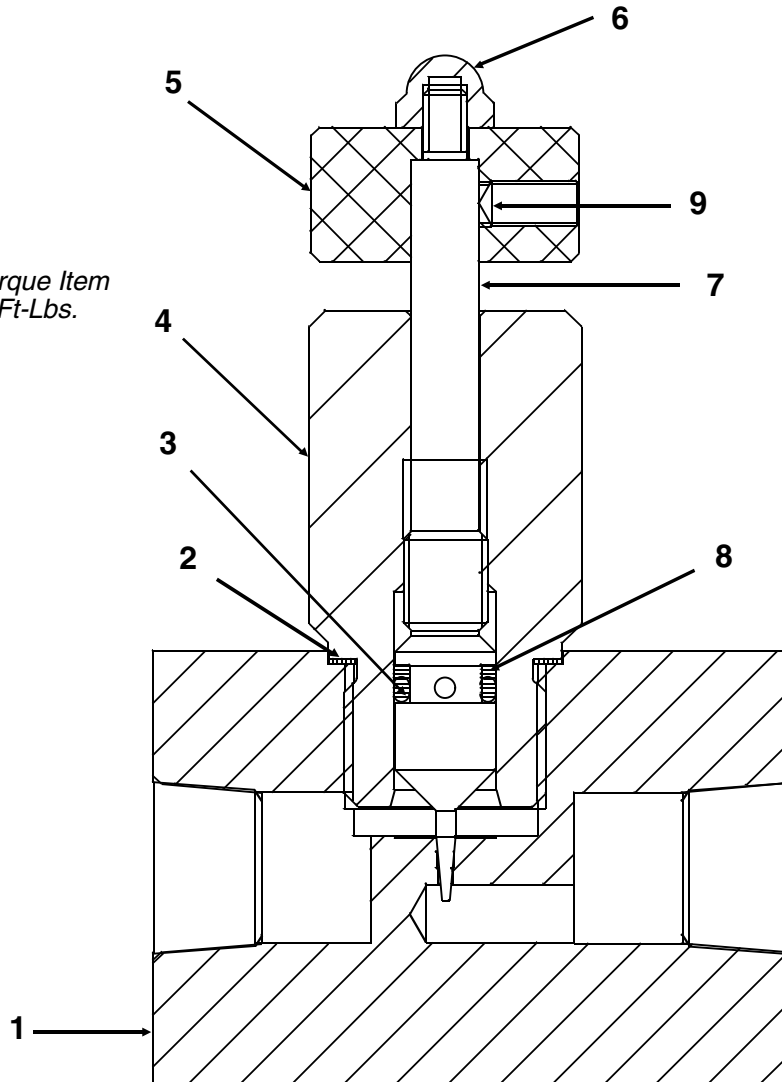
### V-8F Manual Needle Valve

L-1725  
REV A  
12-92  
PC5215

DATE CODE NUMBER BEGINNING WITH "O".

**NOTE:** Align the stamped line on Item 5 with the zero on Item 4 prior to tightening Item 6.

**NOTE:** Torque Item 4 to 85-95 Ft-Lbs.



**V-8F ASSEMBLY DRAWING**

TO PROTECT YOUR WARRANTY, USE ONLY ENERPAC HYDRAULIC OIL

## V-8F REPAIR PARTS LIST

Item No.	Part Number	Quantity	Description
1	V8F	1	Body (Not Serviced - Order Complete Valve)
2	★ GB11167	1	Gasket
3	★ B1005503	1	Seal
4	DA4367190	1	Spindle Body
5	DA4407147	1	Knob
6	★ DA2360055	1	Acorn Nut
7	DA4368010	1	Valve Spindle
8	★ B1010564	1	Back-Up
9	★ BF19050278	1	Set Screw
★ Indicates Items included in and available only as part of repair kit V8FK.			

### Australia

Enerpac  
Block V, Unit 3  
Regents Park Estate  
391 Park Road  
Regents Park NSW 2143  
Tel: (61) (2) 743-8988  
Fax: (61) (2) 743-8648

### Canada

Enerpac  
13000 West Silver Spring Drive  
Butler, Wisconsin 53007, USA  
Tel: (800) 426-4129 User  
Tel: (800) 426-2284 Distributor  
Fax: (414) 781-1049

### Eastern Europe and Other European Countries, Middle East and Africa

Enerpac  
47, avenue Blanc  
P.O. Box 67, CH-1211  
Geneva 21, Switzerland  
Tel: (41) 22-731 94 05  
Telex: 22-41 2843  
Fax: (41) 22-731 12 15

### Far East

Enerpac  
47 Jalan Pemimpin  
#01-02 & 01-03  
Sin Cheong Building  
Singapore 2057  
Thomson Road P.O. Box 114  
Singapore 9157  
Tel: (65) 2581677  
Telex: RS24882 APOWR  
Fax: (65) 2582847

### France

Enerpac  
B.P. 200  
Parc d'Activitiés du Moulin  
de Massy  
91882 Massy Cedex, France  
Tel: (33) 1-69 20 70 70  
Telex: 600 951  
Fax: (33) 1-69 20 37 50

### Germany

Enerpac  
Mündelheimer Weg 51  
P.O. Box 300 113  
D-4000 Düsseldorf 30  
Tel: (49) (221) 41707-0  
Telex: 8582790  
Fax: (49) (211) 4170740

### Italy

Enerpac  
Via Canova, 4  
20094 Corsico  
Milano, Italy  
Tel: 39-2-4582741  
Telex: 352337  
Fax: 39-2-48601288

### Japan

Enerpac  
10-17 Sasame  
Kita-cho, Toda-Shi  
Saitama 335,  
Japan  
Tel: 81-0484-22-2251  
(Administration Dept.)  
0484-21-2311 (Sales Dept.)  
Telex: J26275  
Fax: 82-0484-22-0596

### Latin America and Caribbean

Enerpac  
13000 West Silver Spring Drive  
Butler, Wisconsin 53007  
Tel: (414) 781-6600 ext. 263  
Fax: (414) 781-5561

### Mexico

Enerpac  
Blvd. Gral. Felipe Angeles 1604  
P.O. Box 362  
Pachuca. Hidalgo 42080  
Mexico  
Tel: (52) 771 3-3700 or  
Telex: 17 55 15  
Fax: (52) 771 3-1196 or  
(52) 771 8-3800

### Netherlands, Belgium, Luxemburg

Enerpac  
Storkstraat 25/P.O. Box 269  
NL-3900 AG Veenendaal  
Holland  
Tel: (31) 8385 35911  
Telex: 35381  
Fax: (31) 8385 25613/26645

### South Korea

Enerpac  
163-12, Dodang-Dong,  
Choong-Ku,  
Buchun-Shi, Kyunggi-Do  
Republic of Korea  
Tel: (82) (32) 6560836/7  
Fax: (82) (32) 6563002

### Spain

Enerpac  
Calle de La Imprenta, 5  
Poligono Industrial  
28100 Alcobendas, Madrid  
Spain  
Tel: (34) 1-6611125  
Fax: (34) 1-6614789

### United Kingdom

Enerpac  
Leacon Road  
Ashford, Kent  
TN23 2TU  
England  
Tel: 4-4233-639871  
Telex: 966 450  
Fax: 4-4233-643923

### United States

Enerpac  
13000 West Silver Spring Drive  
Butler, Wisconsin 53007, USA  
Tel: (414) 781-6600  
1-800-433-2766 (End User)  
1-800-558-0530 (Distributor)  
Fax: (414) 781-1049



All Enerpac products are guaranteed against defects in workmanship and materials for as long as you own them. Under this guarantee, free repair or replacement will be made to your satisfaction.

For prompt service, contact your Authorized Enerpac Service Center or call toll free:

In U.S.A.  
In Canada

1-800-558-0530  
1-800-426-2284