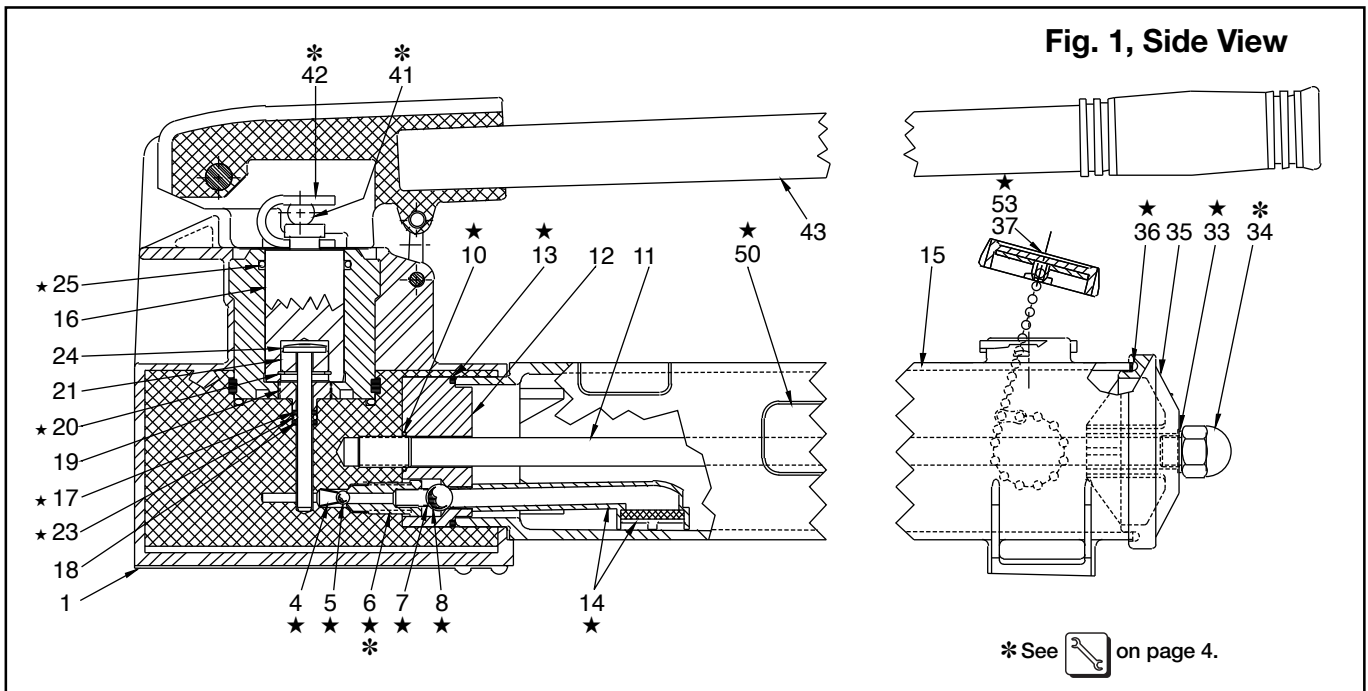


Repair Parts Sheet	Revision	Revision Date	Product Code Beginning
L1652	Rev. E	10/2010	O



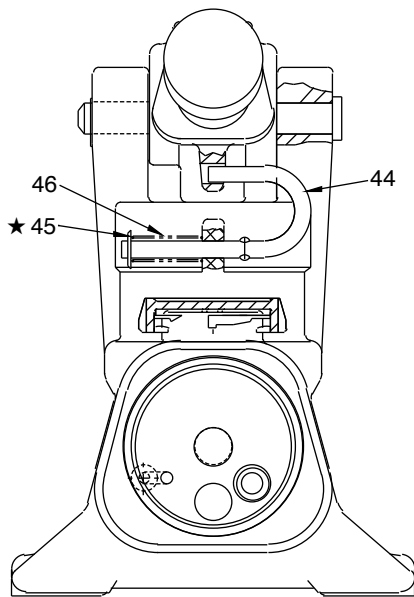
Repair Parts List, Fig. 1

L1652

Item	Part Number	Qty.	Description	Item	Part Number	Qty.	Description
1	(not sold for service)	1	Base	19	DA4344039	1	Bushing
4	★	1	Spring	20	★	1	Retaining Ring
5	★	1	3/16" Ball	21	DA4532186	1	Filler
6	★	1	Valve Seat	23	★	1	O-Ring
7	★	1	Spring	24	CB180040	1	Plunger
8	★	1	Ball	25	★	1	O-Ring
10	★	1	O-Ring	33	★	1	Gasket
11	DA4345107	1	Tie Rod	34	CL341055	1	Acorn Nut
12	DA4346071	1	Valve Disc	35	CN814020	1	End Cap
13	★	1	Square Ring	36	★	1	O-Ring
14	★	1	Filter Assembly	37	CN766950SR	1	Vent Cap Assembly
15	CR72025SR	1	Reservoir (incl. 13, 33, 34, 36, 50)	41	CR581061	1	Cross Pin
16	DA4528040	1	Plunger	42	CR339040	1	Plunger Clip
17	★	1	Back-Up Ring	43	CL918900SR	1	Beam/Handle Assy
18	DA4530186	1	Spacer	50	★	2	Decal, Enerpac
				53	★	1	Vent Cap Decal

★ Indicated items are available only as part of repair kit P2282K50.

Fig. 2, End View - Rear Cap Removed



Repair Parts List, Fig. 2

L1652

Item	Part Number	Qty.	Description
44	CM927061	1	Locking Pin
45	★	1	Push-On Ring
46	Y267110	1	Spring

★ Indicated items are available only as part of repair kit P2282K50.

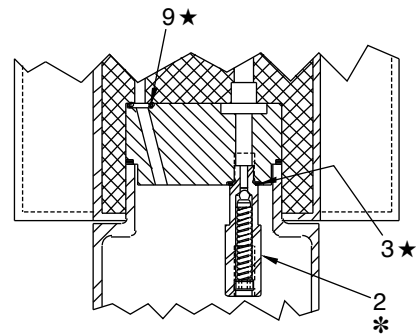
Repair Parts List, Fig. 3

L1652

Item	Part Number	Qty.	Description
2	CR210900W	1	Safety Valve Assembly
3	★	1	Gasket
9	★	1	O-Ring

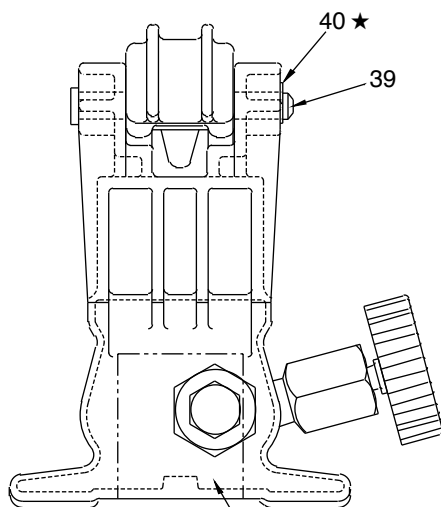
★ Indicated items are available only as part of repair kit P2282K50.

Fig. 3, Safety Valve Assembly (top view)



* See  on page 4.

Fig. 4, Front View



NOTE: Pump serial number located in this area.

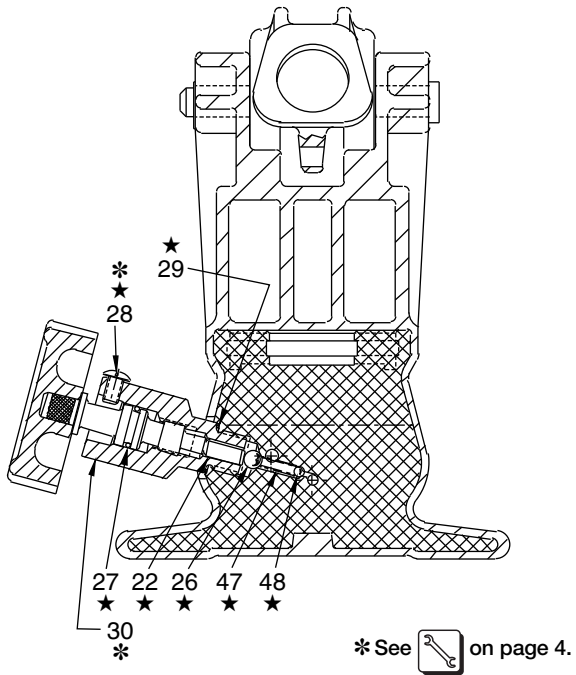
Repair Parts List, Fig. 4

L1652

Item	Part Number	Qty.	Description
39	CR214061	1	Beam Pin
40	★	1	Retaining Ring

★ Indicated items are available only as part of repair kit P2282K50.

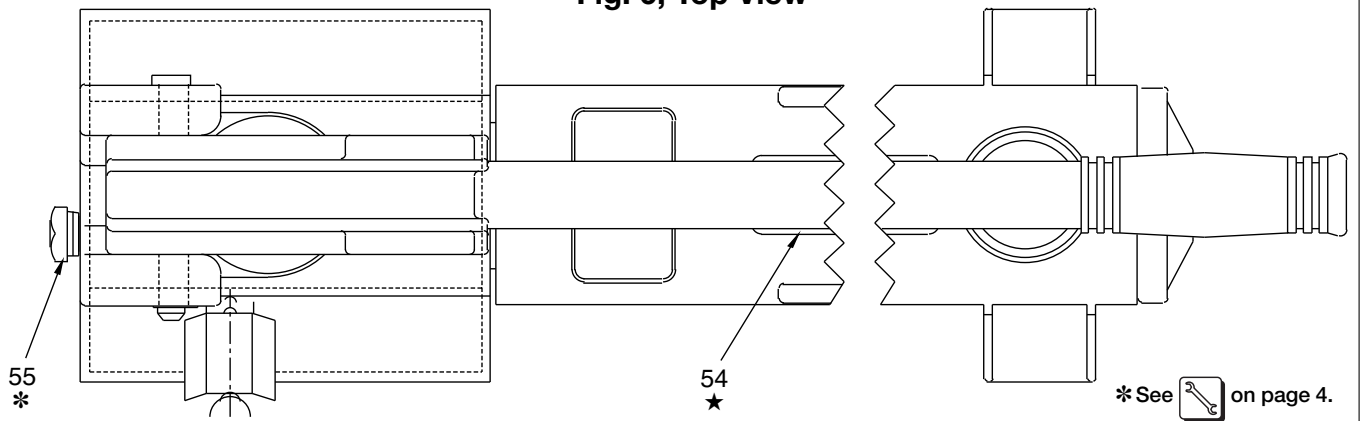
Fig. 5, Release Valve (End View)



Repair Parts List, Fig. 5			L1652
Item	Part Number	Qty.	Description
22	★	1	Pin
26	★	1	Ball
27	★	1	O-Ring
28	★	1	Screw
29	★	1	Gasket
30	DC4383900SR	1	Release Housing, Spindle
47	★	1	Spring
48	★	1	1/8" Ball

★ Indicated items are available only as part of repair kit P2282K50.

Fig. 6, Top View



Repair Parts List, Fig. 6			L1652
Item	Part Number	Qty.	Description
54	★	1	Warning Decal
55	C898166	1	Adaptor

★ Indicated items are available only as part of repair kit P2282K50.



Service Information		L1652
Item	Torque / notes	
2	6.8 - 7.9 Nm 60 - 70 In - Lbs. (valve housing)	
6	34 - 41 Nm 25 - 30 Ft - Lbs.	
28	Apply Loctite 222 before assembly.	
30	34 - 41 Nm 25 - 30 Ft - Lbs.	
34	20 - 26 Nm 15 - 19 Ft - Lbs.	
41 and 42	Apply grease (roller bearing quality) to contact surfaces.	
55	60 - 72 Nm 44 - 53 Ft - Lbs.	

Item	Pressure Setting
2	13.7 - 17.2 Bar 200 - 250 Psi



To maintain your warranty,
have your products inspected and repaired
by an authorised Enerpac Service Centre
www.enerpac.com