

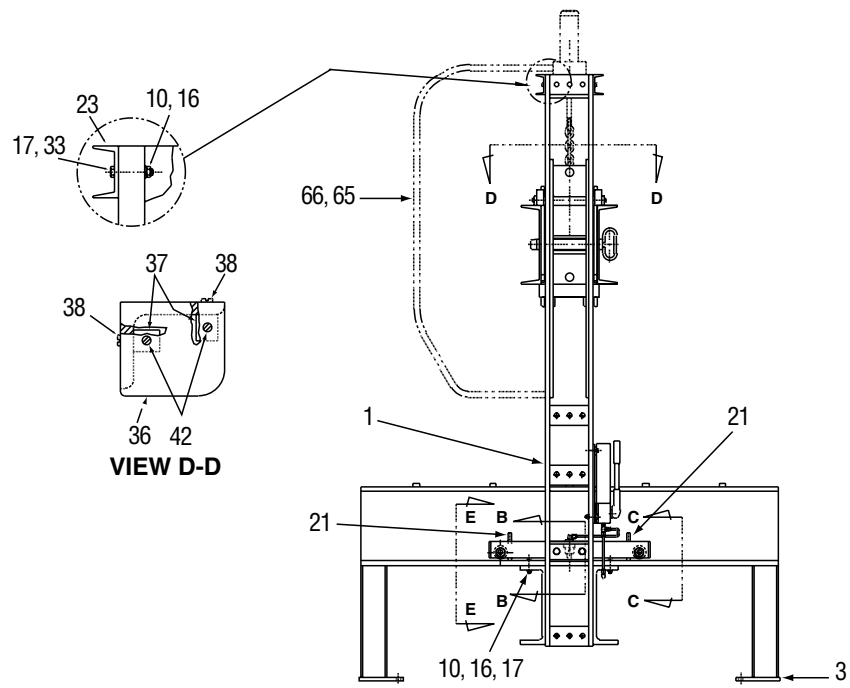
To Protect Your Warranty, Use Only ENERPAC Hydraulic Oil.

Enerpac recommends that all kit components be installed to insure optimum performance of the repaired unit.

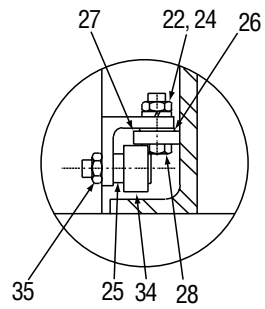


Contents

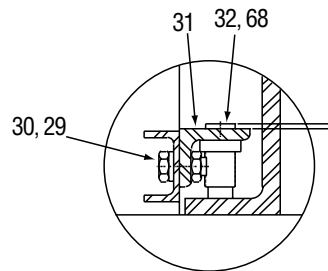
Figure 1 - Roller Assembly	2	Figure 4 - Cylinder Assembly	8
Figure 2 - Pump & Cylinder Assembly	4	Figure 5 - Jack Assembly-50 & 100 Ton	10
Figure 3 - Bolster Assembly	6	Figure 6 - Jack Assembly-200 Ton	11



VIEW D-D



**SECTION C-C
Frame Roller Assembly**

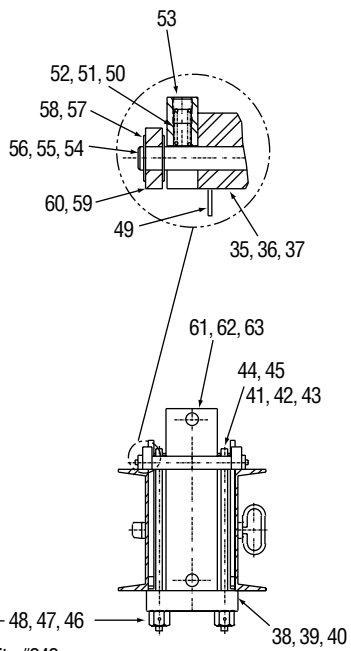
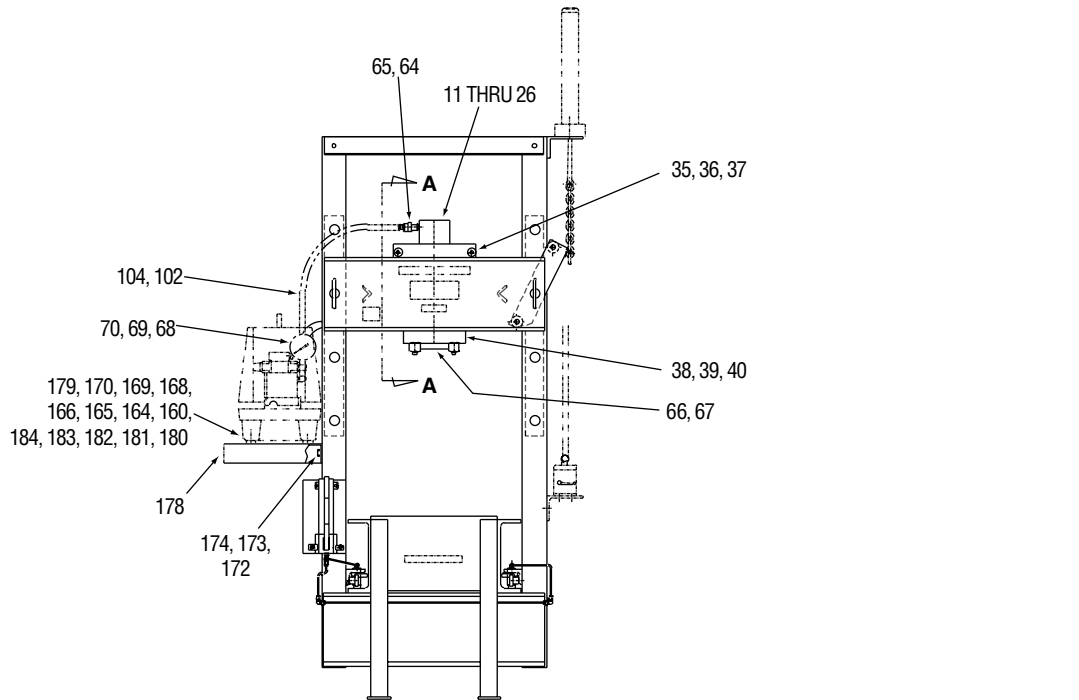


**SECTION B-B
Frame Locking Assembly**

Figure 1, Roller Assembly

Repair Parts List for Figure 1

Item	Part Number 50 Ton	Part Number 100 Ton	Part Number 200 ton	Qty.	Description
1	DA1310900	CN758900	DA1088900	1	Frame Weldment
3	DA1311900	CW203900	DA1087900	1	Bed Weldment
10	B1005120	B1005120	B1005120	10	3/8-16 Hex Nut Washer-Faced
16	B1045066	B1045066	B1045066	10 (8/100T)	3/8 in. Lock Washer
17	B1087046	B1087046	B1087046	5 (4/200T)	Hex Head Capscrew
21	CN722028	CN722028	M57028	4	Square Head Screw
22	B1015123	B1015123	B1015123	4	Jam Nut
23	DA1308634	CN727634	DA1151634	2	Support Channel
24	B1022066	B1022066	B1022066	4	Lock Washer
25	DA1589186	DA1589186	DA1589186	4	Spacer
26	B1046108	B1046108	B1046108	4	.8125 Flat Washer
27	CN723107	CN723107	CN723107	4	Bearing
28	B1237046	B1237046	B1237046	4	Capscrew
29	CH940028	CH940028	CH940028	8 (6/200T)	Bolt
30	B1007066	B1007066	B1007066	8 (6/200T)	.625 Lock Washer
31	DA1312900	DA1312900	DA1143900	2	Bearing Angle
32	CST18131	CST18131	CST40251	2	Stainless Steel Threaded Cylinder
33	B1532046	B1532046		5	Hex Head Capscrew
34	DA1590155	DA1590155	DA1590155	4 (8/200T)	Bearing
35	B1018120		B1018120	4 (12/200T)	Press Rod Nut
36	DA2102885	DA2102885	DA1647885	4	Guard
37	CU397055	CU397055	CU397055	8	Angle Bracket
38	DA1648028	DA1648028	DA1648028	8	Screw
42	DA2705028	DA2705028	DA2705028	8	Sheet Metal Screw
65	HC9306	HC9306	HC9306	1	6 ft. Hose with CH604 Coupler
66	M495017	M495017	M495017	1	Strap
68	B3121	B3121		2	Spher Cont Bolt



Note: Apply Loctite #242
to item number 48.

SECTION A-A
Cylinder Mounting Assembly

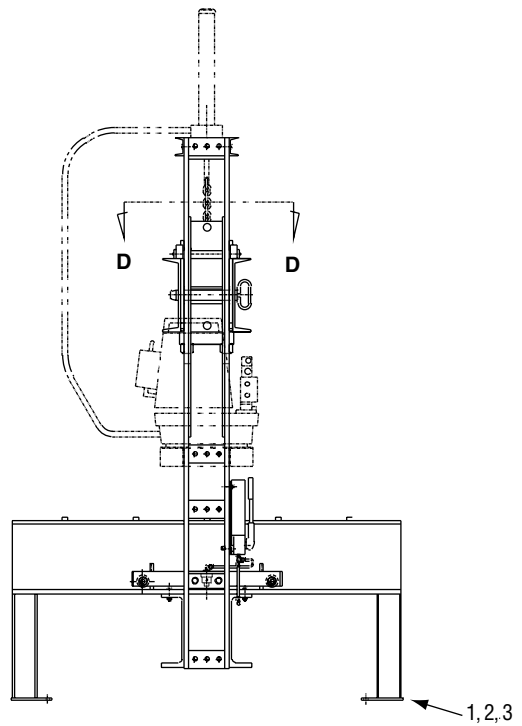


Figure 2, Pump & Cylinder Assembly

Repair Parts List for Figure 2

Item	Part Number 50 Ton	Part Number 100 Ton	Part Number 200 ton	Qty.	Description
1	DA6161900			1	50T Roll Frame Press Assembly
2		DA6163900			100T Roll Frame Press Assembly
3			DA6167900	1	200T Roll Frame Press Assembly
18	CU166900-299			1	DA Cylinder
21		CU484900-299		1	Cylinder Assembly
24			CN312900	1	200T Cylinder Assembly
35	DA2706900			1	Upper Support-Weld
36		CN760900		1	Upper Support-Weld
37			CR16900	1	Upper Support
38	DA2702111			1	Lower Support
39		CN750111		1	Cylinder Bracket
40			CR17111	1	Cylinder Bracket
41	CN817149			2	Tie Rod
42		CR136149		2	Tie Rod
43			CR1149	4	Tie Rod
44	B1055057			2	Spring Pin
45		B1062057	B1062057	2 (4/200T)	Spring Straight Pin
46	CN741550			2	Hex Grip 50T
47		CN742550	CN742550	2 (4/200T)	Hex
48	CJ999028	CJ999028	CJ999028	2 (4/200T)	Set Screw
49	B1136057	B1136057		2 (4/50T)	Roll Pin
50	CN998110			4	Spring
51		CB789110		4	Spring Disc
52			CN999110	4	Spring (200T)
53	A8024027	A8024027	A8024027	4	Lock Screw
54	DA2704104			2	Axle
55		CN743104		2	Axle
56			CN821104	2	Axle
57	CN726044			8	E-Ring
58		CN725044	CN725044	8	Retaining Ring
59	CN752107			4	Bearing
60		CN723107	CN723107	4	Bearing
61	DA5255026	DA5255026	DA5255026	1	Blank M/No. Decal-Service
62	DA5117026	DA5117026	DA5117026	1	Warning Decal
63	CD411	CD411	CD411	2	Dust Cap
64		CU799096	CU799096	1	Nipple
65		CJ649096	CJ649096	1	Fitting
66			CB804045	1	200T Saddle
67			B1069028	2	.375-16 UNC X 1.00 SHCS
68	GF835			1	Gauge Tons/psi
69		GF871		1	Gauge Tons/psi
70			GF200S	1	Gauge Tons/psi
102	HC9310	HC9310	HC9310	2	10 ft. hose with CH/604 Coupler
104	CF378017	CF378017	CF378017	1	Strap
160	B1001120	B1001120	B1001120	4	Nut
164	B1005046	B1005046	B1005046	4	Screw
165	B1001066	B1001066	B1001066	4	.25 Lock Washer
166	B1019108	B1019108	B1019108	4	Standard Washer
168	B1005120	B1005120	B1005120	2	3/8-16 Hex Nut Washer-Faced
169	B1003066	B1003066	B1003066	2	.38 Lock Washer
170	B1073046	B1073046	B1073046	2	Hex Head Cap Screw
172	B1201046	B1201046	B1201046	2	Bolt
173	B1007066	B1007066	B1007066	2	.625 Lock Washer
174	B1013120	B1013120	B1013120	2	Hex Nut
178	DA6101111	DA6101111	DA6101111	1	Mounting Bracket
179	DA6116558	DA6116558	DA6116558	4	L-Bolt
180	DA3772028	DA3772028	DA3772028	4	Screw
181	B1047046	B1047046	B1047046	4	Cap Screw
182	B1002066	B1002066	B1002066	4	Lock Washer
183	B1003120	B1003120	B1003120	2	Nut
184	B1039046	B1039046	B1039046	4	Screw

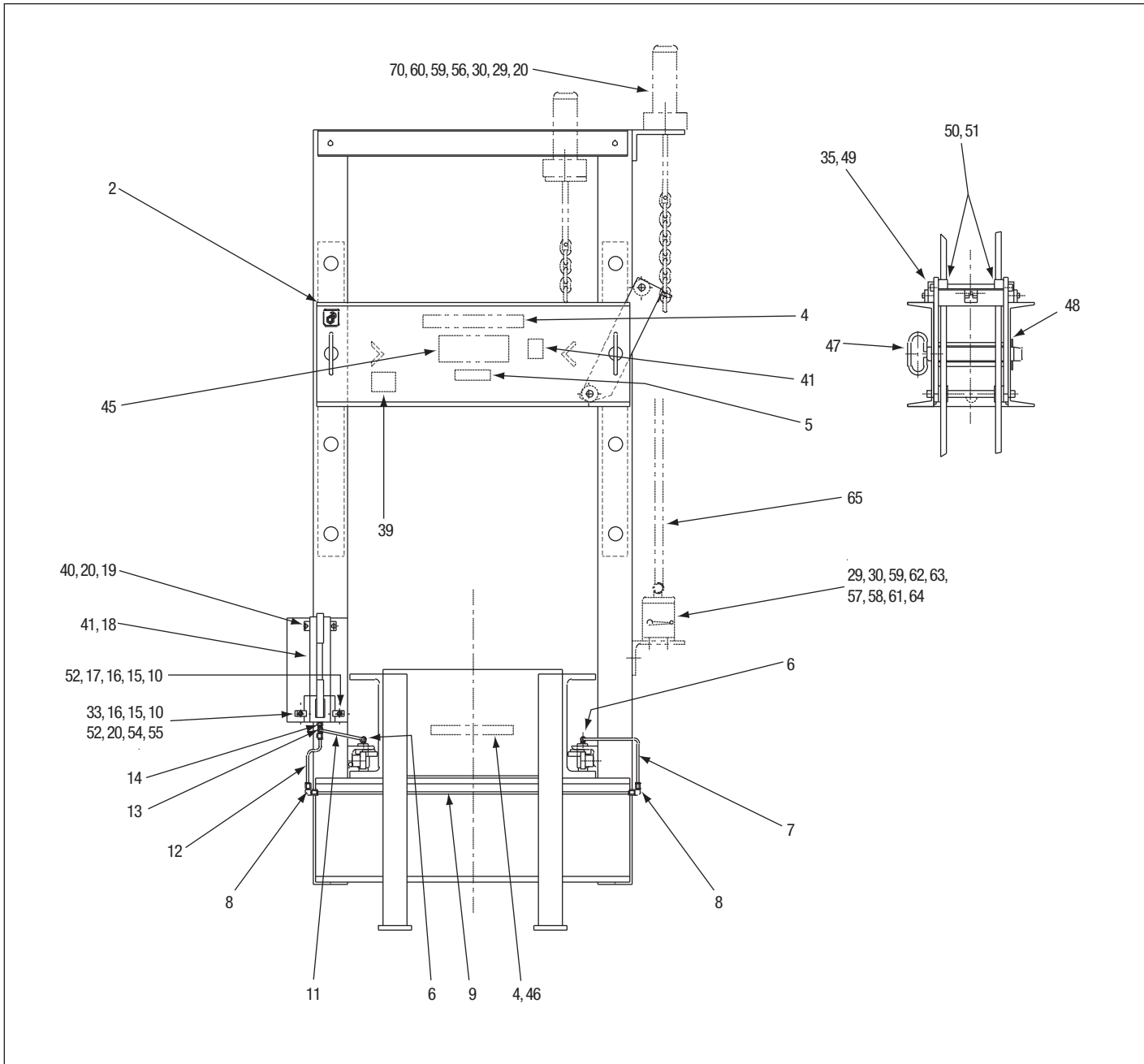


Figure 3, Bolster Assembly

Repair Parts List for Figure 3

Item	Part Number 50 Ton	Part Number 100 Ton	Part Number 200 ton	Qty.	Description
2	CA726900	CA737900	CF422900	1	Bolster Assembly
4	CL537026	CL537026	CL537026	4 (2/50T)	Decal
5	CR200026	CR200026	CR200026	2	Decal
6	FZ2035	FZ2035	FZ2035	2	Elbow
7	DA1304268	CN746286	DA1134268	1	Tube Assembly
8	CN773096	CN773096	CN773096	2	Elbow
9	DA1305268	CN747268	DA1135268	1	Tube Assembly
10	B1005120	B1005120	B1005120	10	3/8-16 Hex Nut
11	DA1306268	CN744268	DA1133268	1	Tube Assembly
12	DA1307268	CN745268	DA1132268	1	Tube Assembly
13	C653291	C653291	C653291	1	Fitting
14	DA1677900	DA1677900	DA1677900	1	Orifice Assembly
15	CU595038		CU595038	2	Bolt Adaptor
16	B1045066	B1045066	B1045066	10 (8/100T)	3/8" Lock Washer
17	B1087046	B1087046	B1087046	5 (4/100T)	Hex Head Capscrew
18	DA11433900	DA11433900	DA11433900	1	Hand Pump Assembly
19	B1005046	B1005046	B1005046	2	Screw
20	B1001066	B1001066	B1001066	2 (4/200T)	.25 Lock Washer
29	CH940028	CH940028	CH940028	8 (6/200T)	Bolt
30	B1007066	B1007066	B1007066	8 (6/200T)	.625 Lock Washer
33	B1532046	B1532046		5 (4/100T)	Hex Head Capscrew
35	B1018120		B1018120	4	Press Rod Nut
40	B1092108	B1092108	B1092108	2	Washer
41	DA5255026	DA5255026	DA5255026	2 (1/50T)	Blank M/No. Decal-Service
45	DA3960026	DA3961026	DA3963026	2 (1/100T)	Decal-Capacity
46	CL543026			2	Decal
47	CU464900	CU465900	CU466900	2	Bolster Pin Assembly
48	CF525061	B1135903	CF525061	2	Clinch Pin
49	CR244061	CR283061		2	Pin
50	CR281281	DA3236900	CF490107	4	Roller
51	CN725044	CN725044		4	Retaining Ring
52			B1093046	2	Hex Head Capscrew
54		CR626028		2	Spotweld Screw
55		B1001123		6	Nut
56	DA1259900	DA1259900	DA1123900	1	Jack Assembly
57	DA1128111	DA1128111	DA1128111	1	Mounting Bracket, Pump
58	CH272026	CH272026	CH272026	1	Caution Decal
59	B1013120	B1013120	B1013120	4 (2/200T)	Hex Nut
60	B1025046	B1025046	B1025046	2	Hex Head Capscrew
61	P51	P51	P51	1	Hand Pump
62	B1047046	B1047046	B1047046	4	Cap Screw
63	B1002066	B1002066	B1002066	4	Lock Washer
64	B1003123	B1003123	B1003123	4	Jam Nut
65	HC9306	HC9306	HC9306	1	6 ft. hose w/ CH604 Coupler
70	DD8796111	DD8796111		1	Mounting Bracket, Jack

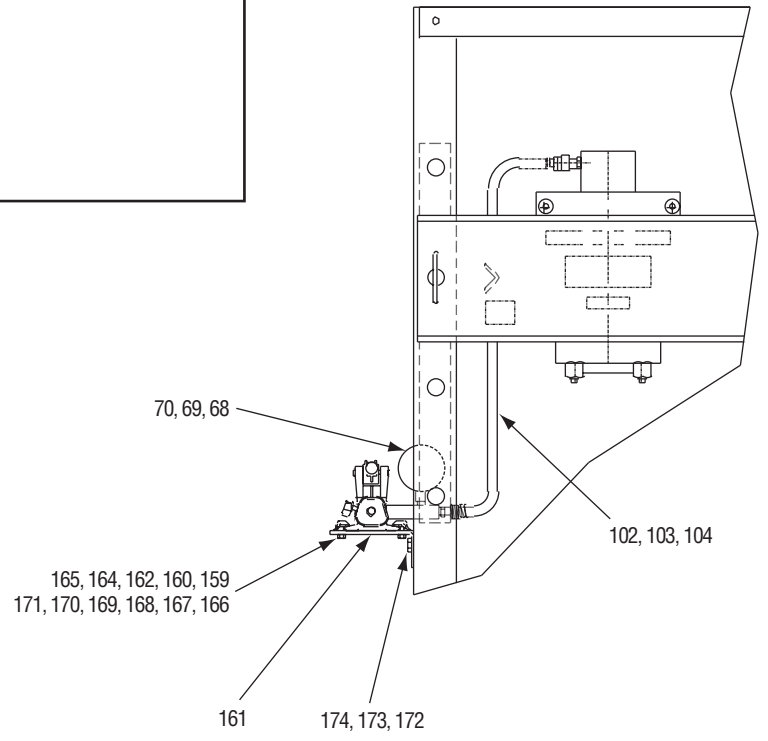
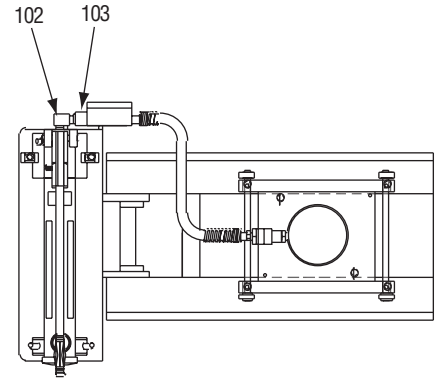
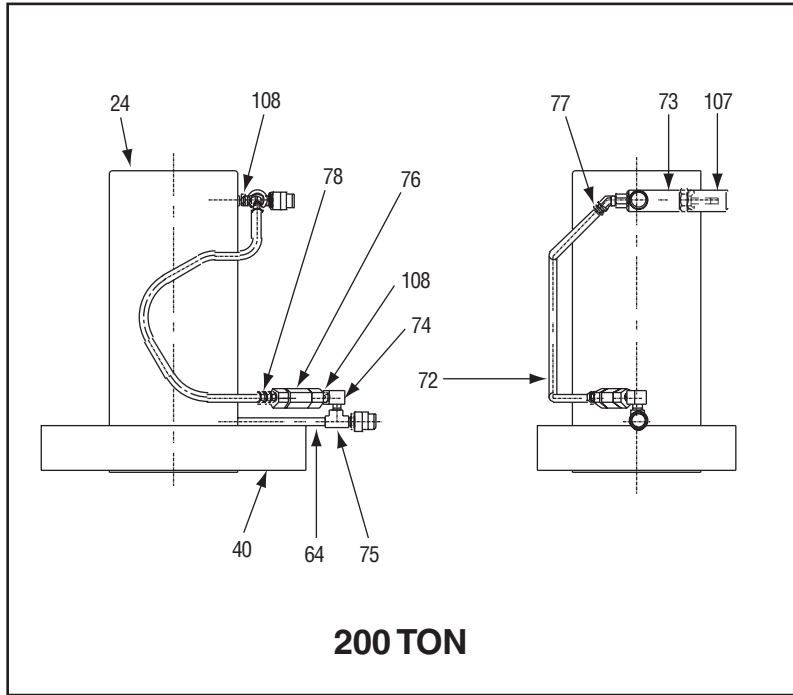


Figure 4, Cylinder Assembly

Repair Parts List for Figure 4

Item	Part Number 50 Ton	Part Number 100 Ton	Part Number 200 ton	Qty.	Description
24			CN312900	1	Cylinder Assembly.
40			CR17111	1	Cylinder Bracket
64		CU799096	CU799096	1	Nipple
68	GF835			1	Gauge, Tons/psi
69		GF871		1	Gauge, Tons/ps
70			GF200S	1	Gauge, Tons/ps
72			H9202	1	2 ft. Hose
73			V152S	1	Valve Assembly.
74	CJ641291	CJ641291	CJ641291	2	Street Elbow
75			CJ652096	1	Pipe Tee
76			V17	1	Check Valve
77			CU235096	1	45° Street Elbow
78			Y995096	1	Adaptor Union
102		HC9310	HC9310	2	10 ft. hose w/ CH604 Coupler
103		GA3	GA3	1	Gauge Adaptor
104		CF378017	CF378017	1	Strap
107			DA1678020	1	Rubber Cap
108			CJ651096	2	Pipe Nipple
159	B1013046	B1013046	B1013046	2	Screw
160	B1001120	B1001120	B1001120	4	Nut
161	DA6115111	DA6115111	DA6115111	1	Mounting Bracket
162	DA5938028	DA5938028	DA5938028	4	Hi Lo Screw
164	B1005046	B1005046	B1005046	4	Screw
165	B1001066	B1001066	B1001066	4	.25 Lock Washer
166	B1019108	B1019108	B1019108	4	Standard Plain Washer
167	M259028	M259028	M259028	2	Screw
168	B1005120	B1005120	B1005120	6	3/8-16 Hex Nut Washer Faced
169	B1003066	B1003066	B1003066	6	.38 Lock Washer
170	B1073046	B1073046	B1073046	6	Hex Head Cap Screw
171	CU595038	CU595038	CU595038	2	Bolt Adaptor
172	B1201046	B1201046	B1201046	2	Bolt
173	B1007066	B1007066	B1007066	2	.625 Lock Washer
174	B1013120	B1013120	B1013120	2	Hex Nut

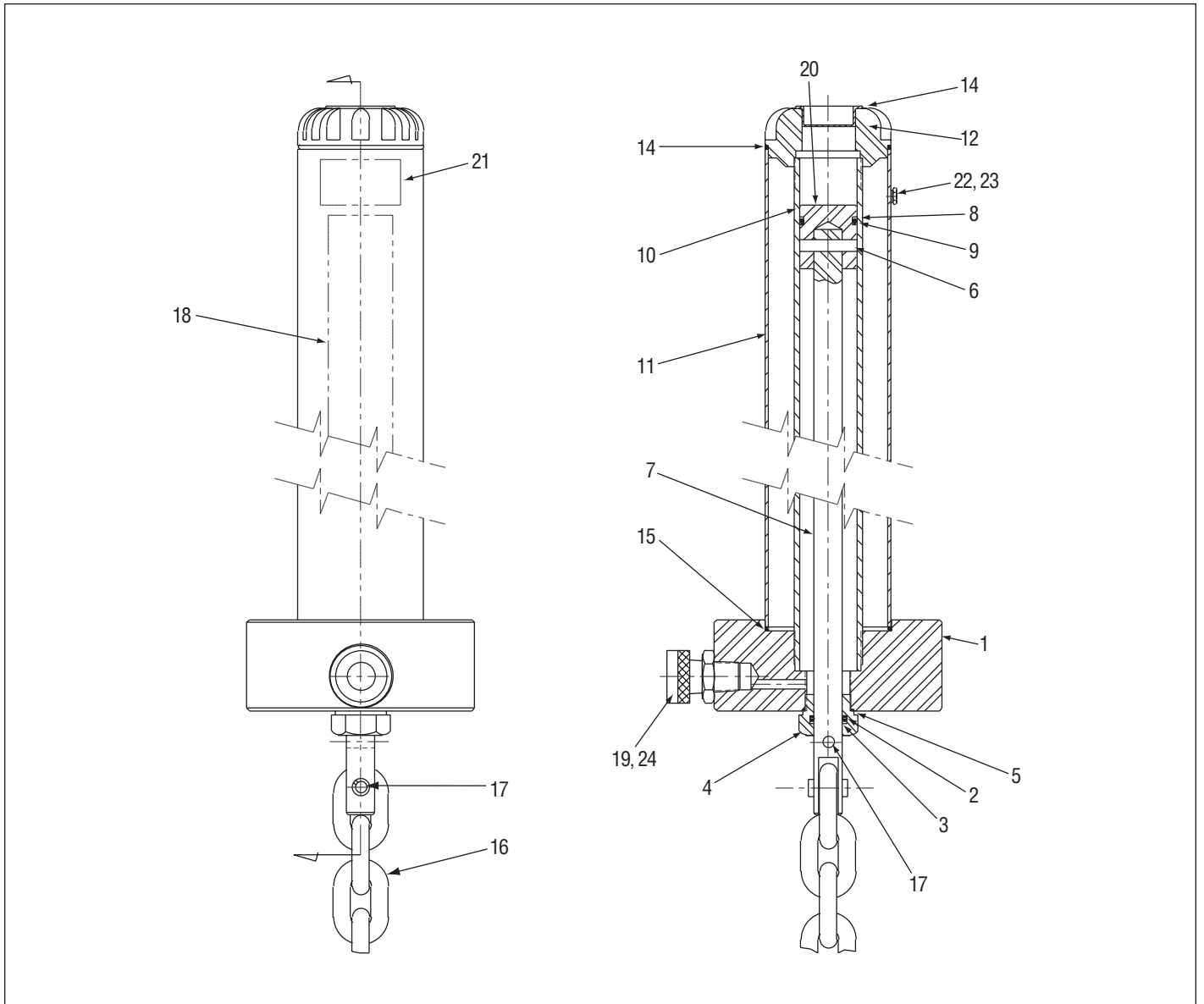


Figure 5, Jack Assembly-50 & 100 Ton

Repair Parts List for Figure 5, 50 and 100 Ton

Item	Part Number	Qty.	Description	Item	Part Number	Qty.	Description
1	DA1258030	1	Base	13	CJ290006	1	Plug
2	B1012503	1	O Ring	14	DA255037	2	Gasket
3	B1031562	1	B/U Ring	15	DA254037	2	Gasket
4	DA2078019	1	Gland Nut	16	DA3232066	1	Chain
5	C213167	1	Gasket	17	B1091057	2	Spring Pin
6	CCA819057-1A	1	Spring Pin	18	CB635026	1	Decal
7	F578040	1	Plunger	19	CR400	1	Female Coupler
8	M761562	1	Back Up	20	C644051	1	Piston
9	B1014503	1	O Ring	21	DA5255026	1	Blank M/No. Decal
10	AJ100074	1	Cylinder	22	AJ100020	1	Gasket
11	K996025	1	Reservoir	23	DA2079009	1	Vent Plug
12	K515030	1	Top Cap	24	CD4H	1	Dust Cap

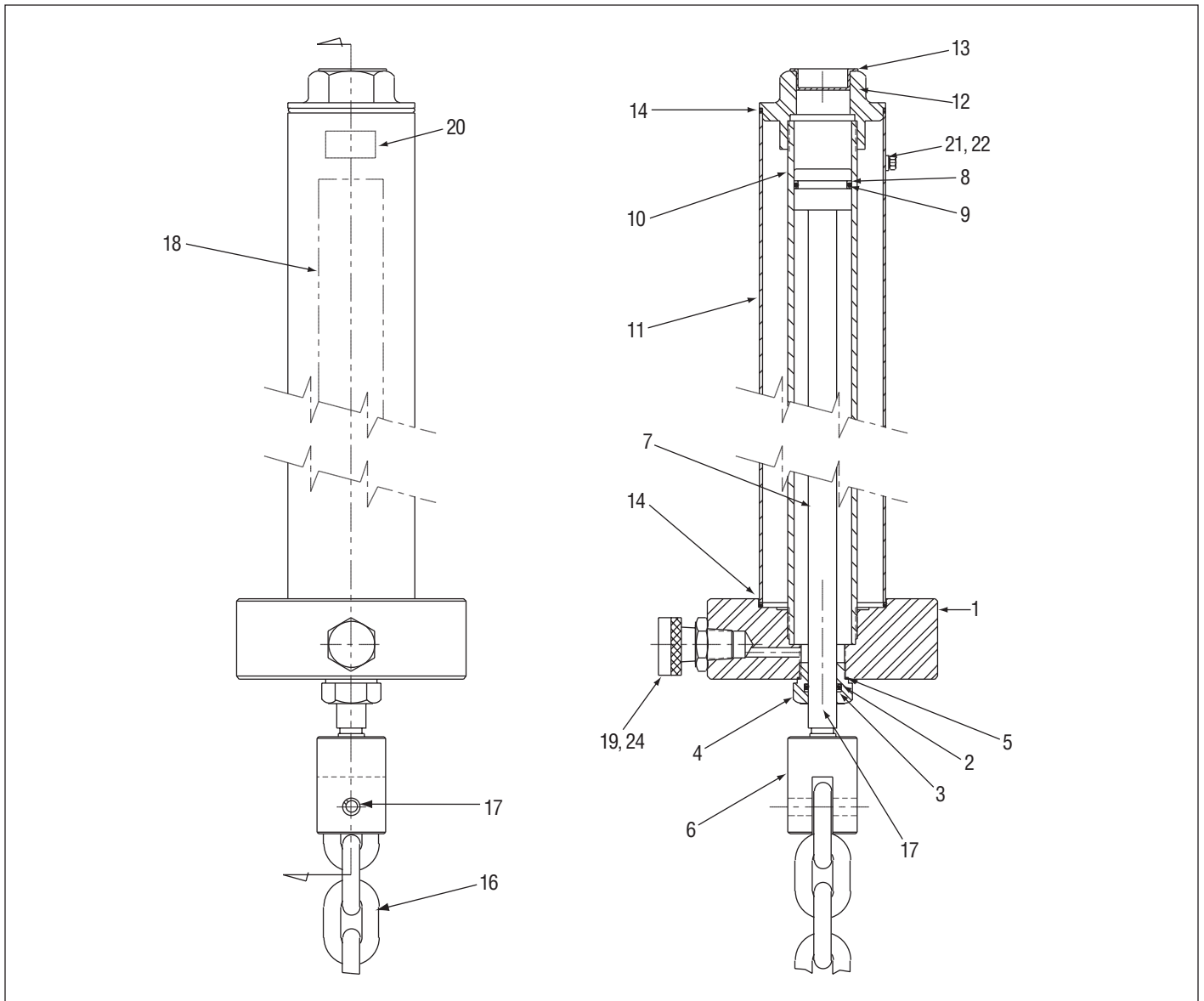


Figure 6, Jack Assembly-200 Ton

Repair Parts List for Figure 6, 200 Ton

Item	Part Number	Qty.	Description	Item	Part Number	Qty.	Description
1	DA1144030	1	Base	12	K516020	1	Top Cap
2	B1012503	1	O-ring	13	CF427006	1	Plug
3	B1031562	1	Back-up Ring	14	DA346037	4	Gasket
4	C170055	1	Gland Nut	16	CF439066	1	Chain
5	C213167	1	Gasket	17	B1168057	2	Spring Pin
6	CF433132	1	Yolk	18	CB635026	1	Decal
7	CJ758900	1	Plunger/Piston Sub Assembly	19	CR400	1	Female Coupler
8	B1121564	1	Back-up Ring	20	DA5255026	1	Blank M/No. Decal
9	B1256503	1	O-ring	21	AJ100020	1	Gasket
10	CF431030	1	Cylinder	22	DA2079009	1	Vent Plug
11	CF430025	1	Reservoir	24	CD411	1	Dust Cap

ENERPAC 

www.enerpac.com