

ENERPAC



POWERFUL SOLUTIONS. GLOBAL FORCE.

Repair Parts Sheet

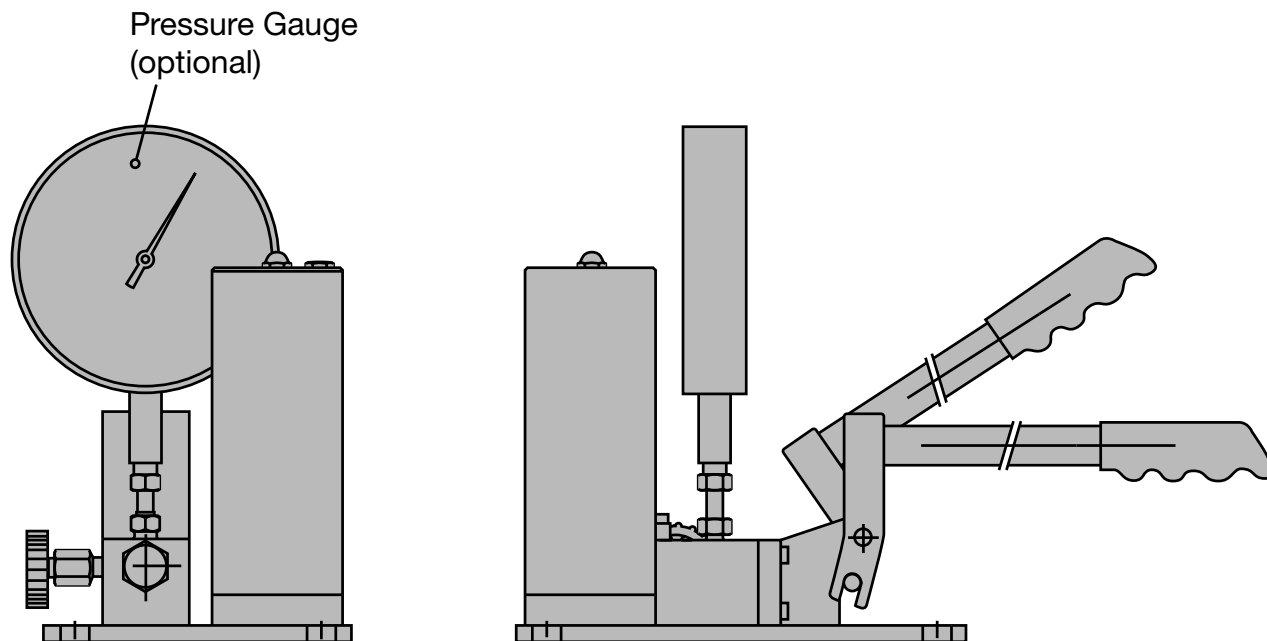
Hydraulic Hand Pumps Models 11-100 and 11-400

L578 Rev. E 5/13

For Date Codes Beginning with the Letter "A".

Important:

Enerpac recommends that all kit components be installed to insure optimum performance of the repaired product.



REPAIR PARTS LIST

Item	Part Number	Qty.	Description
1	F372021	1	Acorn Nut
2	F370245-1	1	Filler Plug
3	F248570	1	Reservoir Cap
4	F241268	1	Reservoir Tube
5	F3107	1	Tie Rod
6	F368120	1	Hex Nut
7	★B1147803	1	O-Ring
8	F370245-1	1	Reservoir Drain Plug
9	F242005	1	Reservoir
10	M462028	2	Cap Screw
11	M462028	4	Cap Screw
12	★B1008803	1	O-Ring
13	F373048	1	Screw
14	M462028	1	Cap Screw
15	F239101	1	Base Plate
16	★B1010803	1	O-Ring
17	F247268	1	Intake Tube
18	★B1011803	1	O-Ring
19	F157021	1	Gland Nut
19A	F73232	1	Sleeve (not shown, wired to item #19)
20	F108006	1	Plug
21	G148190	1	Pump Body (11-100)
	G149190		Pump Body (11-400)
22	★DA2472016	1	Ball
23	G160061	1	Pin
24	★DA2471016	1	Ball
25	★F319183	1	Spring
26	◆G147006	1	Hex Plug
27	F160021	1	Gland Nut
28	F141006	1	Plug
29	★DA2471016	1	Ball
30	★GB11167	1	Gasket
31	F246190	1	Release Valve Body
32	★B1010803	1	O-Ring
33A	DA10379147	1	Plastic Knob
33B	F244010	1	Spindle

Item	Part Number	Qty.	Description
33C	BF1905027A	1	Set Screw
34	F473900SR (see note A)	1	Piston Assembly. (11-100)
	F475900SR (see note A)	1	Piston Assembly. (11-400)
35	★F364049	1	Retaining Ring
36	F304061	1	Beam Pin
37	F325132	1	Spacer (11-100)
	F253132	1	Spacer (11-400)
38	★B1112803	1	O-Ring (11-100)
	★B1010803	1	O-Ring (11-400)
39	★F326044	1	Back-Up Washer (11-100)
	★F324044	1	Back-Up Washer (11-400)
N/S	F365212 (see note B)	2	Bearing
40	F327562	1	Guide Washer (11-100)
	F318562	1	Guide Washer (11-400)
41	(see note A)	1	Bronze Bushing
42	F299189	1	Beam Bracket
43	M463028	4	Cap Screw
44	F443132	1	Beam Spacer
45	★F364049	1	Retaining Ring
46	F443132	1	Beam Spacer
47	CK767060SR	1	Beam
48	F304061	1	Beam Pin
49	CL343550	1	Handle
50	F305070	1	Handle
51	(see note C)	1	Gauge
52	43704 (see note D)	1	Gauge Connector Kit
53	P30718	1	Oil Screen
54	C909087	1	Set Screw
55	★G424026	1	Decal, 1.0 x 5.19
56	DD1721021	1	Plug Nut
57	DD1722006	1	Plug
-	A1026026	1	Tag, Model and Serial No.
-	A1001003	2	Drive Screw, #6 x 1/4"

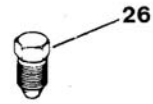
★ Items included in and available only as part of Repair Kit 11000KU.

◆ Item 26 is no longer available. If replacement is required, order items 56 and 57.

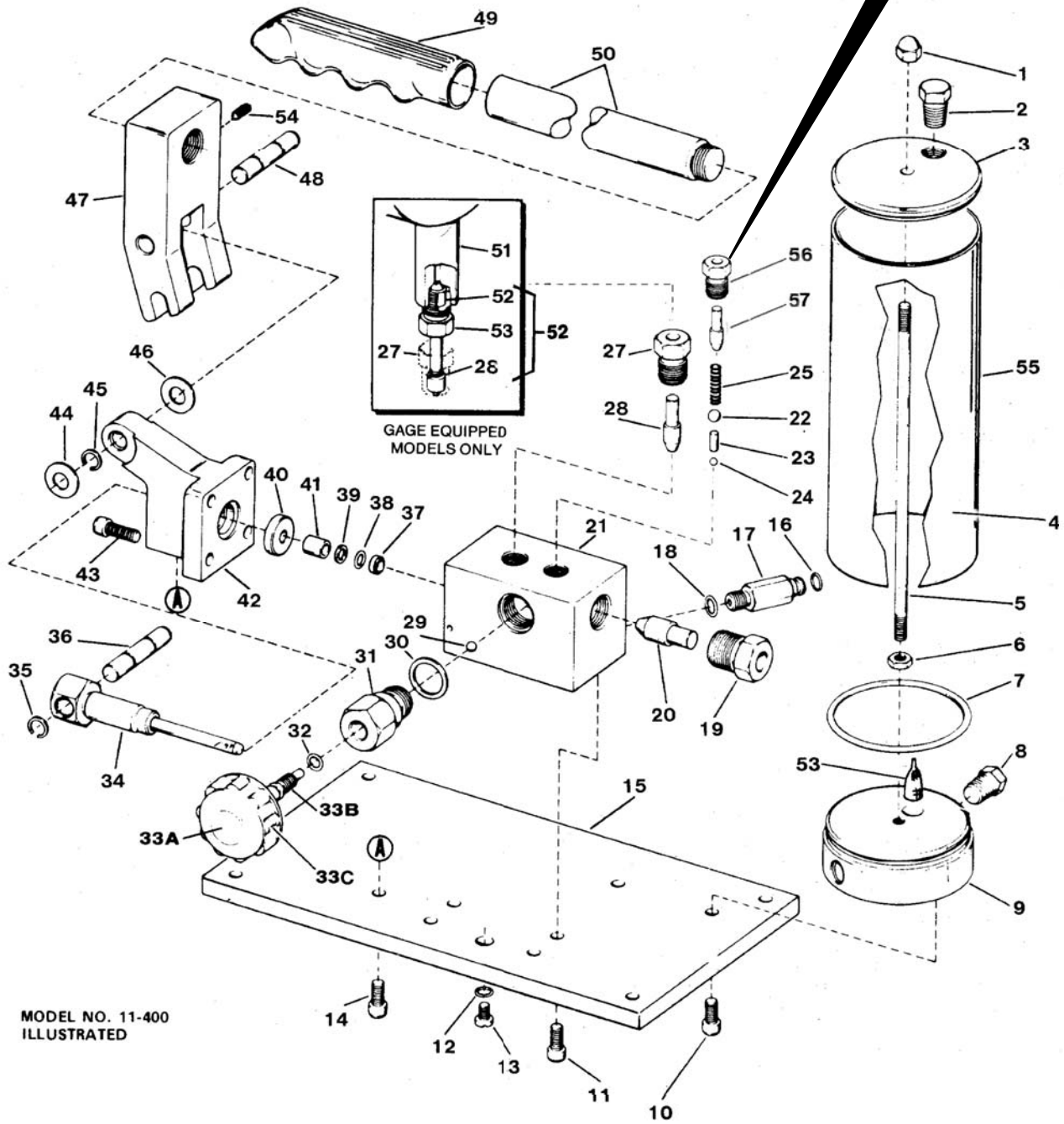
NOTE A: **IMPORTANT** — The bronze bushing (Item 41) is “select fit” with the piston assembly (Item 34) and must be replaced whenever a new piston assembly is installed. A new bronze bushing is included with each piston assembly. The bronze bushing is not available separately.

NOTE B: Two bearings (part number F365212) are installed inside the beam bracket.
Bearings are **not** included with beam bracket and must be ordered separately.

NOTE C: Gauge Part Numbers — T6001L through T6011L. NOTE D: Used on gauge equipped models only.



Note: Item 26 (shown above) is no longer available. Order items 56 and 57 if replacement is needed.



Enerpac Worldwide Locations

◆ e-mail: info@enerpac.com

◆ internet: www.enerpac.com

Australia and New Zealand

Actuant Australia Ltd.
Block V Unit 3
Regents Park Estate
391 Park Road
Regents Park NSW 2143
(P.O. Box 261) Australia
T +61 (0)2 9743 8988
F +61 (0)2 9743 8648
sales-au@enerpac.com

Brazil

Power Packer do Brasil Ltda.
Rua Luiz Lawrie Reid, 548
09930-760 - Diadema (SP)
T +55 11 5687 2211
F +55 11 5686 5583
Toll Free: 0800 891 5770
vendasbrasil@enerpac.com

Canada

Actuant Canada Corporation
6615 Ordan Drive, Unit 14-15
Mississauga, Ontario L5T 1X2
T +1 905 564 5749
F +1 905 564 0305
Toll Free:
T +1 800 268 4987
F +1 800 461 2456
customer.service@actuant.com

China

Actuant (China) Industries Co. Ltd.
No. 6 Nanjing East Road,
Taicang Economic Dep Zone
Jiangsu, China
T +86 0512 5328 7500
F +86 0512 5335 9690
Toll Free: +86 400 885 0369
sales-cn@enerpac.com

France, Switzerland, North Africa and French speaking African countries

ENERPAC
Une division d'ACTUANT France S.A.
ZA de Courtaboeuf
32, avenue de la Baltique
91140 VILLEBON /YVETTE
France
T +33 1 60 13 68 68
F +33 1 69 20 37 50
sales-fr@enerpac.com

Germany and Austria

ENERPAC GmbH
P.O. Box 300113
D-40401 Düsseldorf
Willstätterstrasse 13
D-40549 Düsseldorf, Germany
T +49 211 471 490
F +49 211 471 49 28
sales-de@enerpac.com

India

ENERPAC Hydraulics Pvt. Ltd.
No. 1A, Peenya Industrial Area
IInd Phase, Bangalore, 560 058, India
T +91 80 40 792 777
F +91 80 40 792 792
sales-in@enerpac.com

Italy

ENERPAC S.p.A.
Via Canova 4
20094 Corsico (Milano)
T +39 02 4861 111
F +39 02 4860 1288
sales-it@enerpac.com

Japan

Applied Power Japan LTD KK
Besshocho 85-7
Kita-ku, Saitama-shi 331-0821, Japan
T +81 48 662 4911
F +81 48 662 4955
sales-jp@enerpac.com

Middle East, Egypt and Libya

ENERPAC Middle East FZE
Office 423, LOB 15
P.O. Box 18004, Jebel Ali, Dubai
United Arab Emirates
T +971 (0)4 8872686
F +971 (0)4 8872687
sales-ua@enerpac.com

Russia

Rep. office Enerpac
Russian Federation
Admirala Makarova Street 8
125212 Moscow, Russia
T +7 495 98090 91
F +7 495 98090 92
sales-ru@enerpac.com

Southeast Asia, Hong Kong and Taiwan

Actuant Asia Pte Ltd.
83 Joo Koon Circle
Singapore 629109
T +65 68 63 0611
F +65 64 84 5669 7722
Toll Free: +1800 363
sales-sg@enerpac.com

South Korea

Actuant Korea Ltd.
3Ba 717, Shihwa Industrial Complex
Jungwang-Dong, Shihung-Shi,
Kyunggi-Do
Republic of Korea 429-450
T +82 31 434 4506
F +82 31 434 4507
sales-kr@enerpac.com

Spain and Portugal

ENERPAC SPAIN, S.L.
Avda. Los Frailes, 40 – Nave C & D
Pol. Ind. Los Frailes
28814 Daganzo de Arriba
(Madrid) Spain
T +34 91 884 86 06
F +34 91 884 86 11
sales-es@enerpac.com

Sweden, Denmark, Norway, Finland and Iceland

Enerpac Scandinavia AB
Fabriksgatan 7
412 50 Gothenburg
Sweden
T +46 (0) 31 799 0281
F +46 (0) 31 799 0010
scandinavianinquiries@enerpac.com

The Netherlands, Belgium, Luxembourg, Central and Eastern Europe, Baltic States, Greece, Turkey and CIS countries

ENERPAC B.V.
Galvanistraat 115
6716 AE Ede
P.O. Box 8097
6710 AB Ede
The Netherlands
T +31 318 535 911
F +31 318 535 848
sales-nl@enerpac.com

Enerpac Integrated Solutions B.V.

Opaalstraat 44
7554 TS Hengelo
P.O. Box 421
7550 AK Hengelo
The Netherlands
T +31 74 242 20 45
F +31 74 243 03 38
integratedsolutions@enerpac.com

South Africa and other English speaking African countries

Enerpac Africa Pty Ltd.
No. 5 Bauhinia Avenue
Cambridge Office Park
Block E
Highveld Techno Park
Centurion 0157
South Africa
T: +27 12 940 0656

United Kingdom and Ireland

ENERPAC Ltd.,
Bentley Road South
Darlston, West Midlands
WS10 8LQ
England
T +44 (0)121 50 50 787
F +44 (0)121 50 50 799
sales-uk@enerpac.com

USA, Latin America and Caribbean

ENERPAC
P.O. Box 3241
Milwaukee WI 53201 USA
T +1 262 293 1600
F +1 262 293 7036
User inquiries:
T +1 800 433 2766
Distributor inquiries/orders:
T +1 800 558 0530
F +1 800 628 0490
Technical inquiries:
techservices@enerpac.com
sales-us@enerpac.com

All Enerpac products are guaranteed
against defects in workmanship and
materials for as long as you own them.

For the location of your nearest authorized
Enerpac Service Center, visit us at
www.enerpac.com

012313