

**Model No. Code**

1

- 1. S = Swing cylinder
- 2. T = Threaded body
- U = Upper flange
- L = Lower flange

2

3

- 3. R = Right swing
- L = Left swing
- S = Straight swing

4

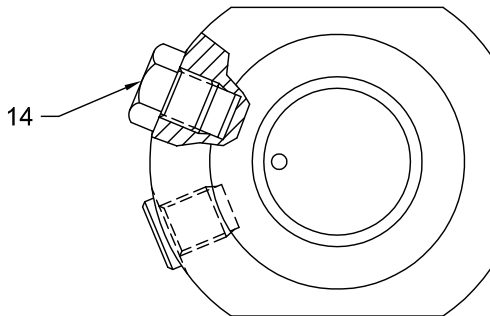
- 4. S = Single-acting
- D = Double-acting
- 5. 35 = 35 kN force

5

6

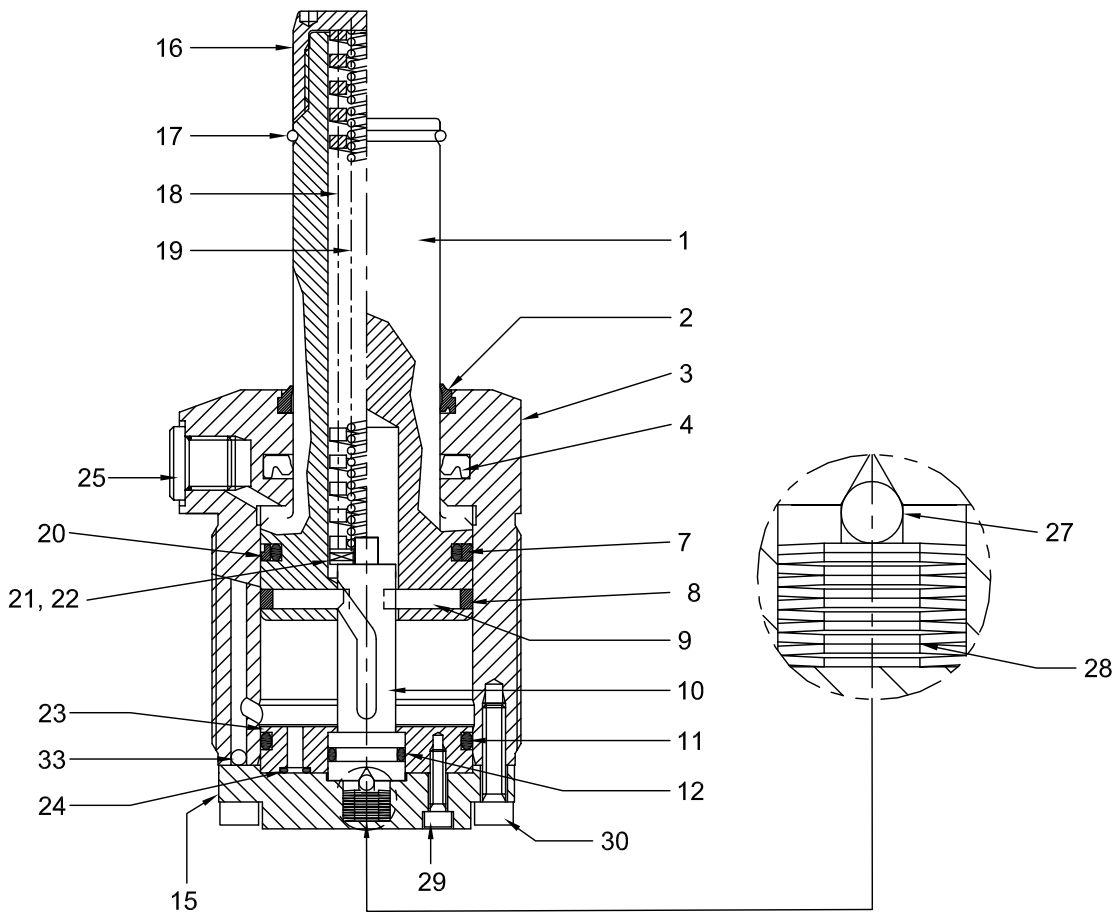
- 6. 1 = Imperial body type
- 2 = Metric body type
- 7. V = Viton seal option

7



**Threaded Body Mounting Style**

1. Lubricate all seals with Lubriplate prior to assembly.
2. Torque Item 16 to 22-29 ft-lbs [30-40 Nm].
3. Torque Item 29 to 37-44 in-lbs [4,2-5 Nm].
4. Torque Item 30 to 11-12.5 ft-lbs [15-17 Nm].

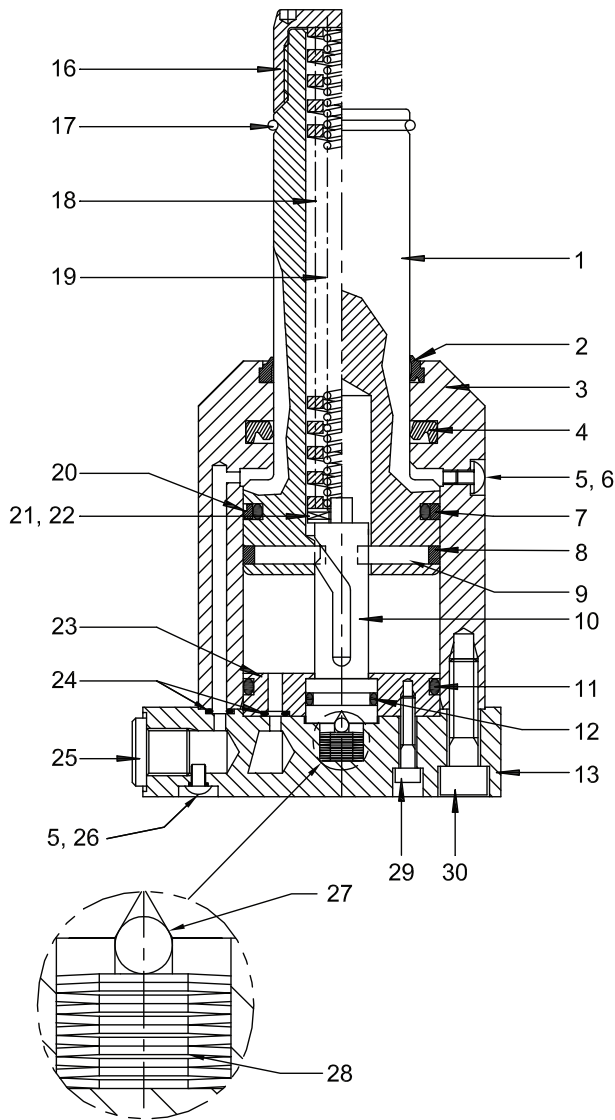
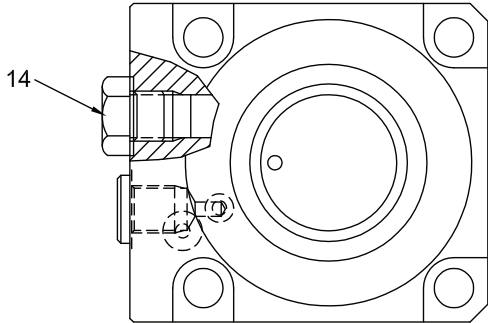


**To Protect Your Warranty, Use Only ENERPAC Hydraulic Oil.**

Enerpac recommends that all kit components be installed to insure optimum performance of the repaired product.

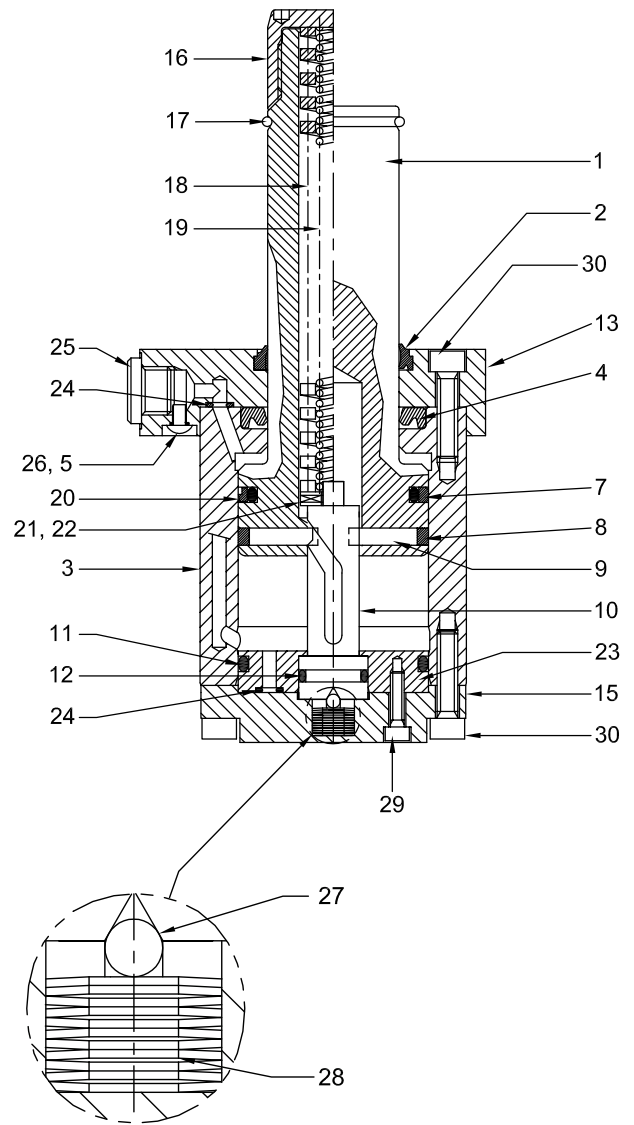
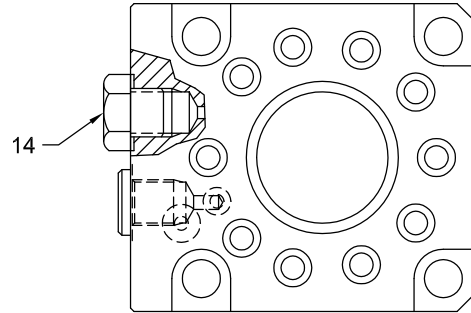
### Lower Flange Mounting Style

1. Lubricate all seals with Lubriplate prior to assembly.
2. Torque Item 16 to 22-29 ft-lbs [30-40 Nm].
3. Torque Item 5 to 22-26 in-lbs [2,5-3 Nm].
4. Torque Item 29 to 31-40 in-lbs [3,5-4,5 Nm].
5. Torque Item 30 to 26-29 ft-lbs [35-40 Nm].



### Upper Flange Mounting Style

1. Lubricate all seals with Lubriplate prior to assembly.
2. Torque Item 16 to 22-29 ft-lbs [30-40 Nm].
3. Torque Item 5 to 22-26 in-lbs [2,5-3 Nm].
4. Torque Item 29 to 37-44 in-lbs [4,2-5 Nm].
5. Torque Item 30 to 11-12.5 ft-lbs [15-17 Nm].



### Repair Parts List for 35kN Swing Cylinders

Item	Standard Part Number	Viton Part Number	Qty.	Description
1	CZ315040	CZ315040	1	Plunger (single-acting)
	CZ302040	CZ302040	1	Plunger (double-acting)
2	★ CZ297041	◆ CZ298041	1	Wiper
3	CZ301030	CZ301030	1	Base (threaded body) (metric)
	CZ317030	CZ317030	1	Base (threaded body) (imperial)
	CZ311030	CZ311030	1	Base (lower flange) (metric)
	CZ313030	CZ313030	1	Base (upper flange) (metric)
4	★ DW1040041	(not available)	1	U-Cup
	(not available)	◆ CZ299041	1	Stepseal
5	CBA411028-1E	CBA411028-1E	4	HSRH Screw
	CBA411028-1E	CBA411028-1E	2	HSRH Screw (upper flange)
	CBA411028-1E	CBA411028-1E	3	HSRH Screw (lower flange)
	CBA411028-1E	CBA411028-1E	0	HSRH Screw (threaded body)
	CYA450041-1A	CYA450041-1A	1	Multiseal (lower flange)
7	CZ307041	◆ CZ300041	1	Glydring (double-acting)
8	★ CZ324071	◆ CZ324071	2	Nylon Disc
9	CZ308061	CZ308061	2	Needle
10	CZ304149	CZ304149	1	Index Rod (left)
	CZ326149	CZ326149	1	Index Rod (right)
	CZ327149	CZ327149	1	Index Rod (straight)
11	★ B1225903	◆ B1225203	1	O-ring
12	★ B1113803	◆ B1113203	1	O-ring
13	CZ312004	CZ312004	1	Lower Flange (metric)
	CZ318004	CZ318004	1	Lower Flange (imperial)
	CZ314004	CZ314004	1	Upper Flange (metric)
	CZ319004	CZ319004	1	Upper Flange (imperial)
14	PA1268950SR	PA1268950SR	1	Vent Plug Assembly (metric)
	PA1103950SR	PA1103950SR	1	Vent Plug Assembly (imperial)
15	CZ303044	CZ303044	1	End Plate
16	CZ316020	CZ316020	1	Plunger Cap (single-acting)
17	★ CZ310044	◆ CZ310044	1	Snap Ring
18	CZ309110	CZ309110	1	Spring (single-acting)
19	CZ295110	CZ295110	1	Spring
20	★ CZ329041	◆ CZ330041	1	Stepseal (single-acting)
21	CZ322107	CZ322107	1	Bearing (single-acting)
22	CZ323108	CZ323108	2	Bearing Washer (single-acting)
23	CZ325225	CZ325225	1	Insert
24	★ B1008803	◆ B1008203	1	O-ring (threaded body)
	★ B1008803	◆ B1008203	2	O-ring (lower flange)
	★ B1008803	◆ B1008203	3	O-ring (upper flange)
25	CS235006	F100006-1	2	BSPP Plug (double-acting)
	CS235006	F100006-1	1	BSPP Plug (single-acting)
	B1003006	B1003006V	2	SAE Plug (double-acting)
	B1003006	B1003006V	1	SAE Plug (single-acting)
26	★ CZ391041	◆ CZ397041	2	O-ring (upper/lower flange only)
27	CAA429061-2A	CAA429061-2A	1	Dowel Pin
28	CZ385110	CZ385110	11	Spring Disc
29	CCA421028-1A	CCA421028-1A	3	HSHC Screw (lower flange)
	CCA419028-1A	CCA419028-1A	3	HSHC Screw (upper flange, threaded body)
30	CCA621028-1A	CCA621028-1A	10	HSHC Screw (threaded body)
	CCA823028-1A	CCA823028-1A	8	HSHC Screw (lower flange)
	CCA621028-1A	CCA621028-1A	20	HSHC Screw (upper flange)
31	★ CZ392041	◆ CZ398041	2	O-ring, manifold mounting (not shown), (double-acting)
	★ CZ392041	◆ CZ398041	1	O-ring, manifold mounting (not shown), (single-acting)
32	CCA1025028-1A	CCA1025028-1A	4	Mounting Screw (metric) (not shown)
	B1072028	B1072028	4	Mounting Screw (imperial) (not shown)
33	B1004016	B1004016	1	Ball (threaded body)

★ Indicates Items included in and available only as part of Repair Kit SS352K (single-acting) or SD352K (double-acting).

◆ Indicates Items included in and available only as part of Repair Kit SS352KV (single-acting) or SD352KV (double-acting).

**Note - Item #4:**

For older cylinders equipped with standard seals, a U-Cup (part number DW1040041) replaces the stepseal (part number CZ306041) that was previously used. For all cylinders equipped with Viton seals, the stepseal (part number CZ299041) continues in use.

## Enerpac Worldwide Locations

◆ e-mail: [info@enerpac.com](mailto:info@enerpac.com)

◆ internet: [www.enerpac.com](http://www.enerpac.com)

**Africa**  
ENERPAC Middle East FZE  
Office 423, JAFZA 15  
P.O. Box 18004  
Jebel Ali, Dubai  
United Arab Emirates  
Tel: +971 (0)4 8872686  
Fax: +971 (0)4 8872687

**Australia, New Zealand  
Actuant Australia Ltd.**  
Block V Unit 3  
Regents Park Estate  
391 Park Road  
Regents Park NSW 2143  
(P.O. Box 261) Australia  
Tel: +61 297 438 988  
Fax: +61 297 438 648

**Brazil**  
Power Packer do Brasil Ltda.  
Rua dos Inocentes, 587  
04764-050 - Sao Paulo (SP)  
Tel: +55 11 5687 2211  
Fax: +55 11 5686 5583  
Toll Free in Brazil:  
Tel: 0800 891 5770  
[vendasbrasil@enerpac.com](mailto:vendasbrasil@enerpac.com)

**Canada**  
Actuant Canada Corporation  
6615 Ordan Drive, Unit 14-15  
Mississauga, Ontario L5T 1X2  
Tel: +1 905 564 5749  
Fax: +1 905 564 0305  
Toll Free:  
Tel: +1 800 268 4987  
Fax: +1 800 461 2456  
Technical Inquiries:  
[techservices@enerpac.com](mailto:techservices@enerpac.com)

**China**  
Actuant Industries Co. Ltd.  
No. 6 Nanjing Road  
Taicang Economic Dep Zone  
Jiangsu, China  
Tel: +86 0512 5328 7529  
+86 0512 5328 7500 7529  
Fax: +86 0512 5335 9690

**Actuant China Ltd. (Peking)**  
709B Diyang Building  
Xin No. 2  
Dong San Huan North Rd.  
Beijing City  
100028 China  
Tel: +86 10 845 36166  
Fax: +86 10 845 36220

**France, Switzerland  
francophone**  
ACTUANT - ENERPAC  
France S.A., ZA de Courtaboeuf  
32, avenue de la Baltique  
91140 Villebon / Yvette  
France  
Tel: +33 1 60 13 68 68  
Fax: +33 1 69 20 37 50

**Germany, Austria, Switzerland,  
Greece, Baltic States, Central  
and Eastern Europe**  
ENERPAC GmbH  
P.O. Box 300113  
D-40401 Düsseldorf  
Willstätterstrasse 13  
D-40549 Düsseldorf  
Germany  
Tel: +49 211 471 490  
Fax: +49 211 471 49 28

**India**  
ENERPAC Hydraulics  
(India) Pvt. Ltd.  
No. 1A,  
Peenya Industrial Area,  
IInd Phase  
Bangalore, 560 058 India  
Tel: +91 80 40 792 777  
Fax: +91 80 40 792 792

**Italy**  
ENERPAC S.p.A.  
Via Canova 4  
20094 Corsico (Milano)  
Tel: +39 02 4861 111  
Fax: +39 02 4860 1288

**Japan**  
Applied Power Japan LTD KK  
Besshochou 85-7  
Kita-ku,  
Saitama-shi 331-0821  
Japan  
Tel: +81 48 662 4911  
Fax: +81 48 662 4955

**Middle East, Turkey and  
Caspian Sea**  
ENERPAC Middle East FZE  
Office 423, JAFZA 15  
P.O. Box 18004  
Jebel Ali, Dubai  
United Arab Emirates  
Tel: +971 (0)4 8872686  
Fax: +971 (0)4 8872687

**Russia and CIS  
(excl. Caspian Sea Countries)**  
Actuant LLC  
Admiral Makarov Street 8  
125212 Moscow, Russia  
Tel: +7-495-9809091  
Fax: +7-495-9809092

**Sweden, Denmark, Norway,  
Finland and Iceland**  
ENERPAC Scandinavia AB  
Fabriksgatan 7  
412 50 Gothenburg  
Sweden  
Tel: +46 31 7990281  
Fax: +46 31 7990010  
[scandinavianinquiries@enerpac.com](mailto:scandinavianinquiries@enerpac.com)

**Singapore**  
Actuant Asia Pte. Ltd.  
37C, Benoi Road Pioneer Lot,  
Singapore 627796  
Tel: +65 68 63 0611  
Fax: +65 64 84 5669  
Toll Free: +1800 363 7722  
Technical Inquiries:  
[tech.service-sg@enerpac.com](mailto:tech.service-sg@enerpac.com)

**South Korea**  
Actuant Korea Ltd.  
3Ba 717,  
Shihwa Industrial Complex  
Jungwang-Dong, Shihung-Shi,  
Kyunggi-Do  
Republic of Korea 429-450  
Tel: +82 31 434 4506  
Fax: +82 31 434 4507

**Spain and Portugal**  
ENERPAC SPAIN, S.L.  
Avda. Los Frailes, 40 - Nave C  
& D  
Pol. Ind. Los Frailes  
28814 DAGANZO DE ARRIBA  
(Madrid)  
Spain  
Tel: +34 91 884 86 06  
Fax: +34 91 884 86 11

**Sweden, Denmark, Norway,  
Finland and Iceland**  
Enerpac Scandinavia AB  
Fabriksgatan 7  
412 50 Gothenburg  
Sweden  
Tel: +46 (0) 31 7990281  
Fax: +46 (0) 31 7990010  
Inquiries:  
[Scandinavianinquiries@enerpac.com](mailto:Scandinavianinquiries@enerpac.com)

**The Netherlands, Belgium,  
Luxembourg**  
ENERPAC B.V.  
Galvanistraat 115, 6716 AE Ede  
P.O. Box 8097, 6710 AB Ede  
The Netherlands  
Tel: +31 318 535 800  
Fax: +31 318 525 613  
+31 318 535 848  
[beneluxinquiries@enerpac.com](mailto:beneluxinquiries@enerpac.com)  
Technical Inquiries Europe:  
[techsupport.europe@enerpac.com](mailto:techsupport.europe@enerpac.com)

**United Kingdom, Ireland  
Enerpac Ltd**  
Bentley Road South  
Darlaston, West Midlands  
WS10 8LQ, United Kingdom  
Tel: +44 (0)121 50 50 787  
Fax: +44 (0)121 50 50 799

**USA, Latin America  
and Caribbean**  
ENERPAC  
P.O. Box 3241  
6100 N. Baker Road  
Milwaukee, WI 53209 USA  
Tel: +1 262 781 6600  
Fax: +1 262 783 9562

User inquiries:  
+1 800 433 2766  
Inquiries/orders:  
+1 800 558 0530  
Technical Inquiries:  
[techservices@enerpac.com](mailto:techservices@enerpac.com)

**ENERPAC**  
704 W. Simonds  
Dallas, TX 75159 USA  
Tel: +1 972 287 2390  
Fax: +1 972 287 4469

09/30/09

All Enerpac products are guaranteed against defects in workmanship and materials for as long as you own them. For your nearest authorized Enerpac Service Center, visit us at [www.enerpac.com](http://www.enerpac.com)