

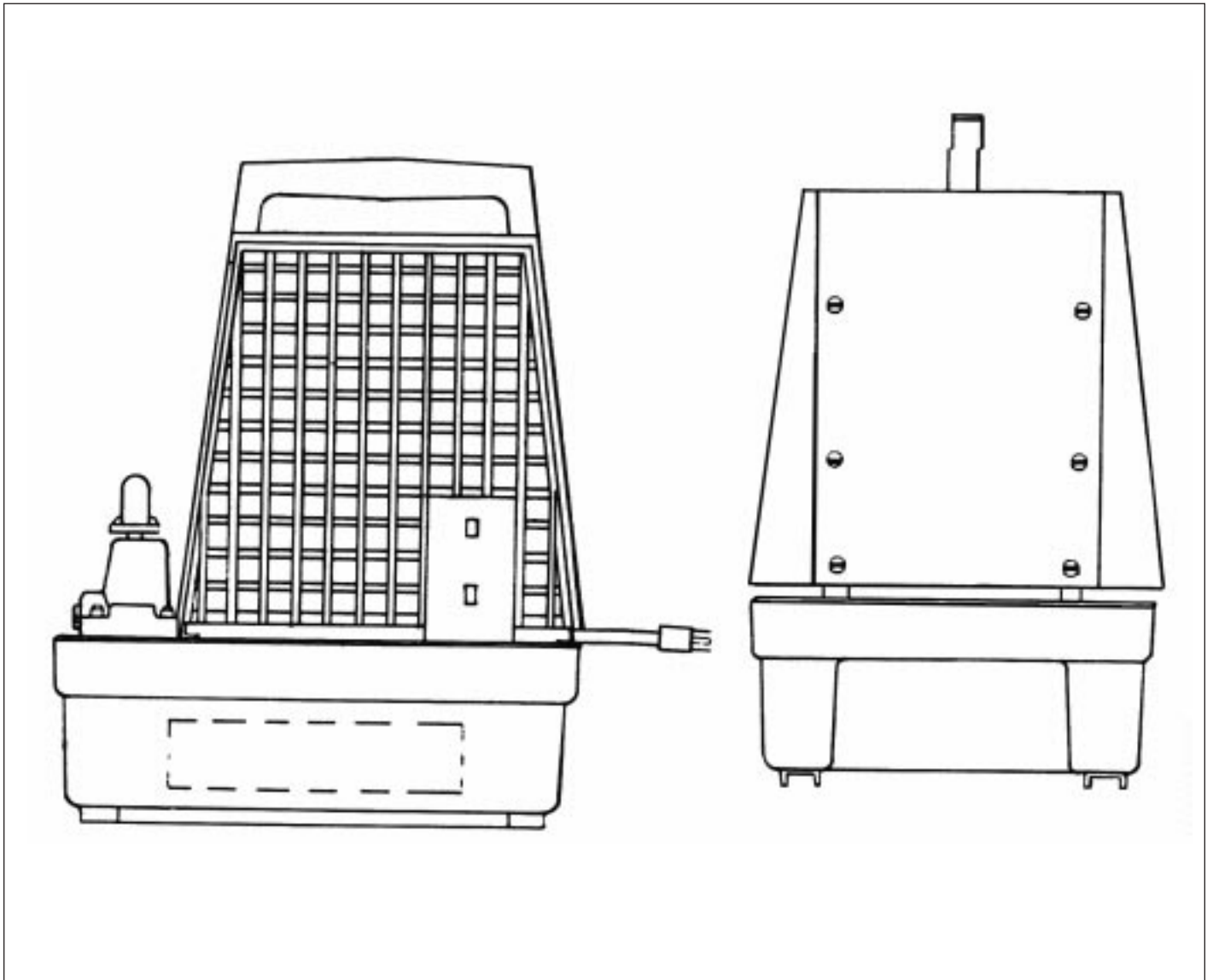
**HUSH H-PUMPS
PER & PER-3000 SERIES**

L-1292 09/90

For Date Codes Beginning with the Letter "D" or "E"

Parts List includes Models

PEM 3022	PER 3032
PEM 3025	PER3035
PEM 3032	PER 3042
PEM 3035	PER 3045
PEM 3042	PER 30410
PEM 3045	



TO PROTECT YOUR WARRANTY, USE ONLY *ENERPAC* HYDRAULIC OIL.

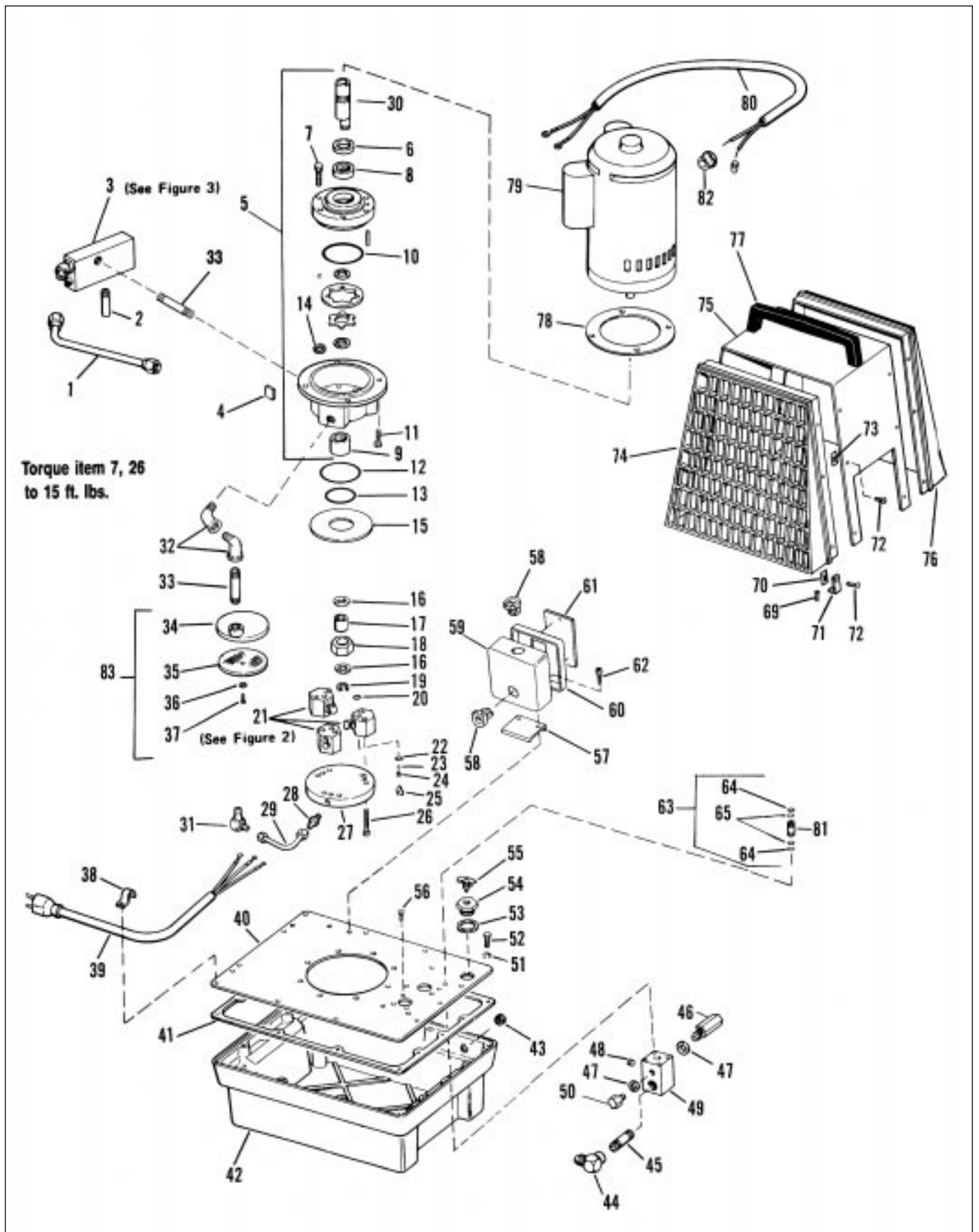


Figure 1

Repair Parts List for Figure 1

Item	Part Number	Qty.	Description	Item	Part Number	Qty.	Description
1	CN372.268	1	Tube Assembly	41	★M789.167	1	Gasket
2	CK520.268	1	Pipe	42	★★★468.025	1	Reservoir (2 gallon)
3	Y979.950	1	By-Pass Valve Ass'y (See Fig. 3)	43	A1009.245	1	Flush Plug
4	C187.018	1	Magnet	44	Y980.096	1	90° Elbow
5	CM972.950	1	High Flow Pump Ass'y.	45	CA118.096	1	Nipple
6	BL30.153	1	Oil Seal	46	A8375.900	1	Adjustable Relief Valve
7	Y319.028	6	Socket Head Cap Screw	47	B159.167	2	Gasket
8	Y713.039	1	Needle Bearing	48	A1007.245	1	Flush Plug
9	Y318.107	1	Needle Bearing	49	Y927.038	1	Adaptor Block
10	B1246.503	1	O-Ring	50	P181.190W	1	Safety Relief Valve
11	B1071.028	4	Socket Head Cap Screw	51	B1015.066	14	Lock Washer
12	★B1238.503	1	O-Ring	52	B1005.046	14	Hex Head Cap Washer
13	★B1247.503	1	O-Ring	53	B1012.503	1	O-Ring
14	B1006.503	1	O-Ring	54	BA563.024	1	Filler Plug
15	Y242.101	1	Plate	55	CA561.024	1	Drain Cock
16	M886.108	2	Washer	56	Y971.028	4	Flat Socket Head Screw
17	M596.039	1	Needle Bearing	57	Y432.111	1	Bracket
18	M478.044	1	Race	58	F869.007	2	Bushing
19	SJ100.217	1	Retaining Ring	59	Y433.980	1	Electrical Box
20	★B1007.503	3	O-Ring	60	G530.098	1	Cover
21	Y972.900	3	Pump Block Assy. (See Fig.2)	61	M788.372	1	Switch
22	★B1005.503	3	O-Ring	62	B1328.028	1	Socket Head Cap Screw
23	★B1005.016	3	Ball	63	CN529.950	1	Connector Assy.
24	★A8044.110	3	Spring	64	★B1007.503	2	O-Ring
25	A8337.900	3	Spring Guide	65	★B1012.564	2	Back-up Washer
26	B1361.028	6	Socket Head Cap Screw	69	B1039.046	4	Capscrew
27	Y244.101	1	Port Plate	70	M783.055	4	Speed Nut
28	A8013.094	1	Nipple	71	M780.111	4	Bracket
29	CN371.268	1	Tube Assembly	72	F866.028	12	Machine Screw
30	CB614.950	1	Shaft Assembly	73	M748.055	8	Speed Nut
31	G332.291	1	Elbow	74	M782.024	1	Grill
32	FZ1616-1	1	Street Elbow	75	Y177.950	1	Cover
33	★★CA118.096	1	Pipe (2 gallon)	76	M814.024	1	Grill (with cut out)
34	M472.001	1	Housing	77	Y175.950	1	Handle Assembly
35	M473.018	1	Filter	78	★C550.357	1	Gasket
36	D944.108	1	Washer	79	M614.259	1	Motor
37	M474.028	1	Self-Tapping Screw	80	Y93.980	1	Cord
38	M495.017	1	Bracket	81	CN528.096	1	Connector
39	Y34.008	1	Cord	82	CL33007	1	Bushing
40	CM411.098	1	Cover	83	CV838950SR	1	Filter Assembly

★Items included in PER-3000K Repair Kit.

★★For 5 gallon reservoir, order CN373.268; for 10 gallon, order CH561.268.

★★★For 5 gallon, order Y282.025; for 10 gallon, order CH579.900.

5 gallon Conversion Kit (PRC 50) and 10 gallon Conversion Kit (PRC 100) include pipe, reservoir, gasket and hydraulic oil.

For valve breakdown, see sheet for valve model number.

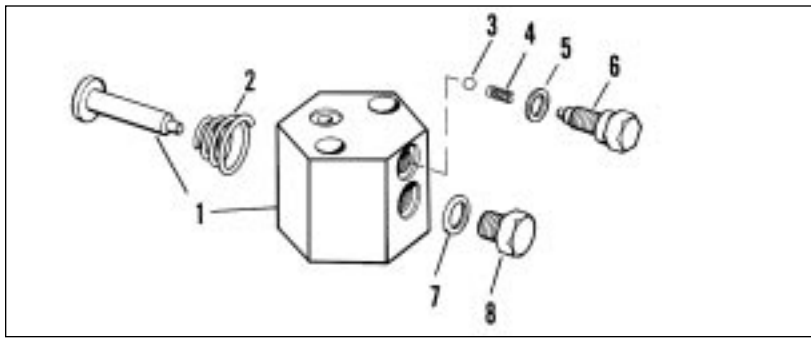


Figure 2, Pump Block Assembly Y972.900

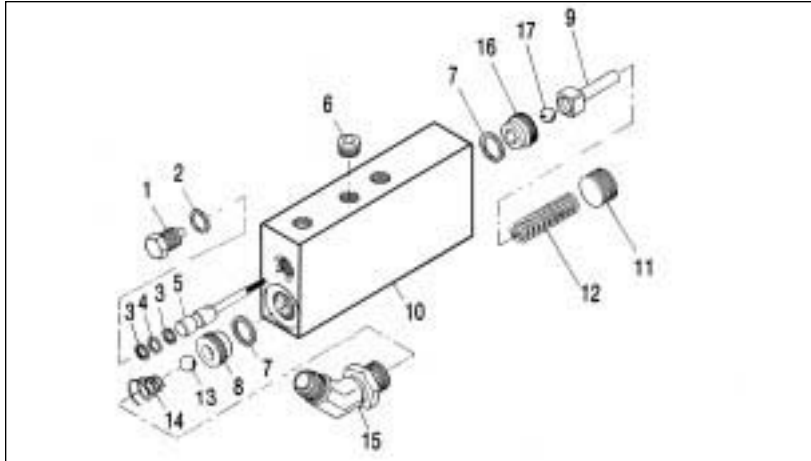


Figure 3, By-Pass Valve Assembly Y979.950

Repair Parts List for Figure 2			
Item	Part Number	Qty.	Description
1	CA430.900	1	Pump Body Assembly
2	★Y928.110	1	Spring
3	★B1003.016	1	Ball
4	★P181.183	1	Spring
5	★S3.037	1	Gasket
6	M80.006	1	Plug
7	★C846.037	1	Gasket
8	M81.006	1	Plug

Repair Parts List for Figure 3			
Item	Part Number	Qty.	Description
1	CL399.900W	1	Plug, Valve
2	★B159.167	1	Gasket
3	★DA3418.367	2	Washer, Back-up
4	★B1005.503	1	O-Ring
5	DA548.900W	1	Plunger
6	A1008.245	1	Plug
7	★Y932.167	2	Gasket
8	Y924.290	1	Seat
9	DA206.160	1	Retainer, Ball
10	Y921.190	1	Body, Valve
11	Y923.006	1	Plug
12	Y109.164	1	Spring
13	★B1013.016	1	Ball
14	Y926.110	1	Spring
15	Y978.096	1	Connector
16	CU309.290	1	Seat
17	DA204.016	1	Ball

★Items are included in Repair Kit PER-3000K.

Australia
ENERPAC, Applied Power Australia Ltd.
Block V Unit 3,
Regents Park Estate,
391 Park Road
Regents Park NSW 2143
(P.O. Box 261) Australia
Tel: +61 297 438 988
Fax: +61 297 438 648

Brazil
Power Packer do
Brasil LTDA
Avenida Ferraz
Alvim nº 1012
(09961-550) - Diadema
São Paulo, Brazil
Tel: +55 11 4051 1188
Fax: +55 11 4051 3699

China
Shanghai Blackhawk
Machinery Co Ltd
15H Jinxuan Building
238 Nandan Road (E)
Shanghai, 200030, China
Tel: +86 21 6469 8732
Fax: +86 21 6469 8721

**France, Greece, Turkey, Middle East,
Africa**
ENERPAC S.A.
B.P. 200, Parc d'Activités
du Moulin de Massy
F-91882 Massy CEDEX (Paris) France
Tel: +33 01 601 368 68
Fax: +33 01 692 037 50

**Germany, Denmark, Scandinavia,
Austria, Switzerland, Eastern
Europe, CIS**
ENERPAC
Applied Power GmbH
P.O. Box 300113
D-40401 Düsseldorf, Germany
Tel: +49 211 471 490
Fax: +49 211 471 49 28/40

Holland, Belgium, Luxembourg,
ENERPAC B.V.
Storkstraat 25
P.O. Box 269
3900 AG Veenendaal, Holland
Tel: +31 318 535 911
Fax: +31 318 535 848
+31 318 526 645

Hong Kong
ENERPAC
Room 907 Workingberg
Commercial Building
41-47 Marble Road,
North Point
Tel: +852-2561 6295
Fax: +852-2561 6772

India
ENERPAC
Hydraulic (India) Pvt Ltd
Plot No. A-571
MIDC, TTC Industrial Area
Mahape-400 701,
Navi Mumbai, India
Tel: +91 22 769 47 78
Fax: +91 22 769 84 73

Italy
ENERPAC Applied Power Italiana S.p.A.
Via Canova 4,
20094 Corsico (Milano)
Tel: +39 2 486 111 00
Fax: +39 2 486 012 88

Japan
Applied Power Japan Ltd.
10-17 Sasame Kita-Machi
Toda-Shi, Saitama #335, Japan
Tel: +81 048 421 2311
Fax: +81 048 421 8949

Malaysia
Applied Power Hytec (M) Sdn Bhd 22-1,
Jalan SS 15/8B
Subang Jaya, 47500
P.J. Selangor
West Malaysia
Tel: (0203) 73729 23/39/19
Fax: (0203) 737 29 18

Mexico
ENERPAC Applied Power Mexico S.A. de
C.V.
Avenida Principal,
La Paz #100
Fracc. Industrial La Paz
42084 Pachuca, Hidalgo
Tel: +52 771 337 00
Fax: +52 771 838 00

Singapore
Applied Power Asia Pte Ltd
47 Jalan Pemimpin,
#01-02 & 01-03
Sin Cheong Bldg
Singapore 577200
Thomson Road,
P.O. Box 114
Singapore 915704
Tel: +65 258 16 77
Fax: +65 258 28 47

South Korea
ENERPAC
Applied Power Korea Ltd.
163-12 Dodang-Dong, Choong-Ku,
Buchun-shi, Kyunggi-Do
Republic of Korea
Tel: +82 32 675 08 36
Fax: +82 32 675 30 02

Spain, Portugal
ENERPAC Applied Power International S.A.
A. Valgrande 14
Nave 12
28108 Alcobendas (Madrid), Spain
Tel: +34 91 661 11 25
Fax: +34 91 661 47 89

United Kingdom, Ireland
ENERPAC Limited
Unit 3 Colemeadow Road
North Moons Moat, Redditch
Worcester B98 9PB
United Kingdom
Tel: +44 01527 598 900
Fax: +44 01527 585 500

**USA, Canada, Latin America and
Caribbean**
ENERPAC
6101 N. Baker Road
Milwaukee, WI 53209 USA
Tel: +1 414 781 66 00
Fax: +1 414 781 10 49

USA
User inquiries:
+1 800 433 2766
Distributor inquiries/orders:
+1 800 558 0530

Canada
User inquiries:
+1 800 426 4129
Distributor inquiries/orders:
+1 800 426 2284

Internet
www.enerpac.com

e-mail
info@enerpac.com

All Enerpac products are guaranteed against defects in workmanship and materials for as long as you own them. Under this guarantee, free repair or replacement will be made to your satisfaction.

For your nearest authorized Enerpac Service Center, visit us at www.enerpac.com