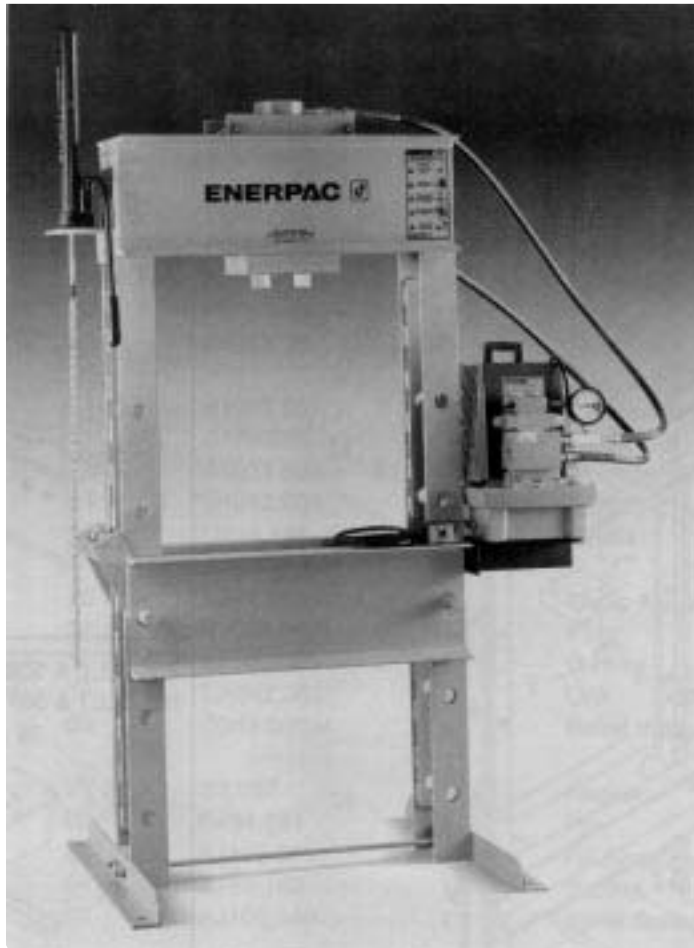


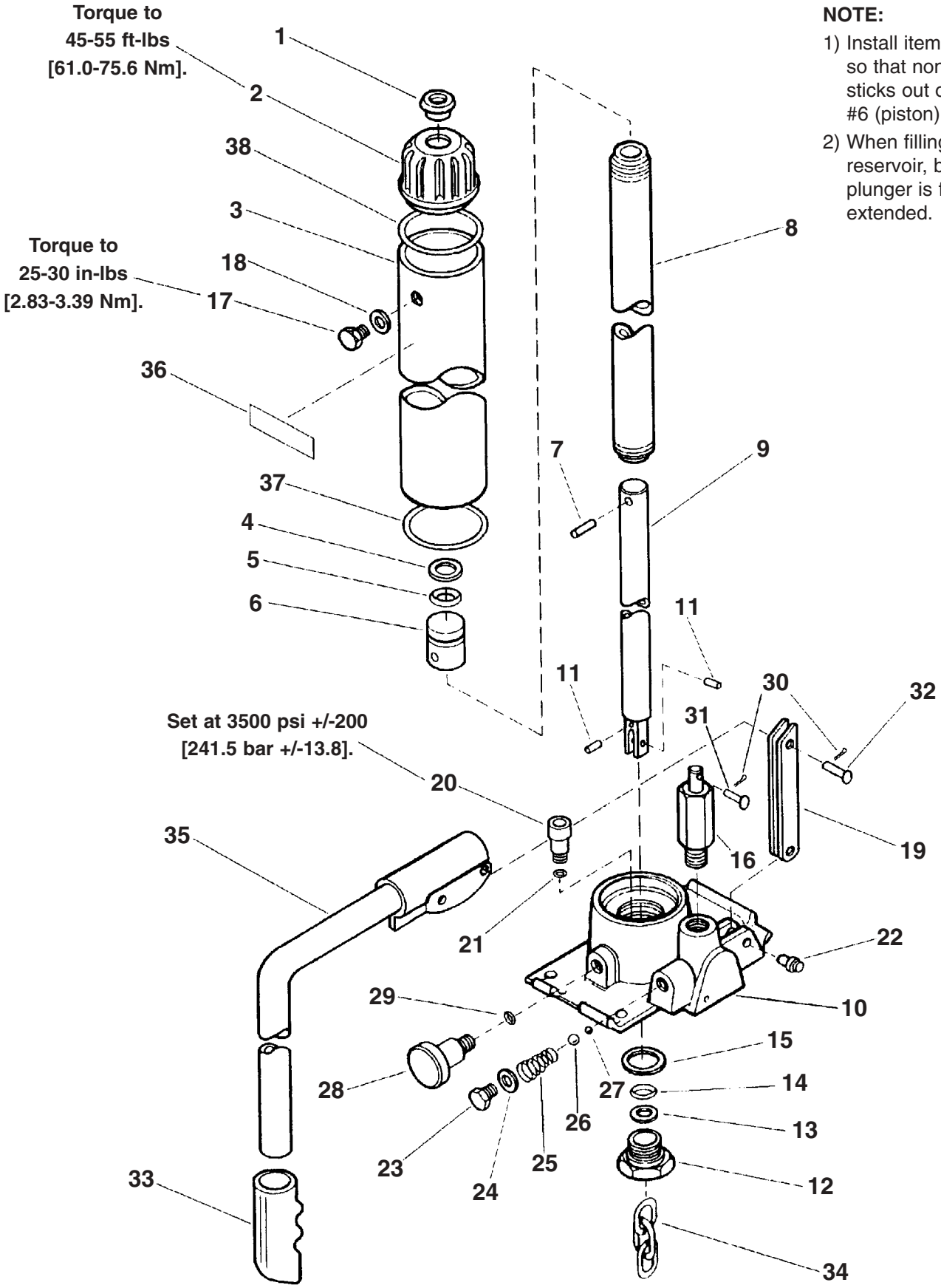
L1274
 Rev. B
 02/98



Accessories: Press Conversion Kit - PK-501
 V-Blocks (Set of 2) - A-150

Model	Pump	Cylinder
IPA-5021	★ PAM-1022 Twin Air Pump	★ RC-506
IPE-5005	★ PUJ-1200B Electric Pump	★ RC-506
IPE-5010	★ PER-3032A Electric Pump	★ RC-5013
IPH-5030	★ P-462 Hand Pump	★ RC-506
IPH-5031	★ P-80 Hand Pump	★ RC-506
IPA-5073	★ PAM-3042 Air Pump	★ RR5013
IPE-5060	★ PER-3042A Electric Pump	★ RR-5013
IPE-5061	★ PER-3042A Electric Pump	★ RR-5013
IPH-5080	★ P-464 Hand Pump	★ RR-5013
★ Refer to separate part sheets for these items.		

TO PROTECT YOUR WARRANTY, USE ONLY ENERPAC HYDRAULIC OIL.

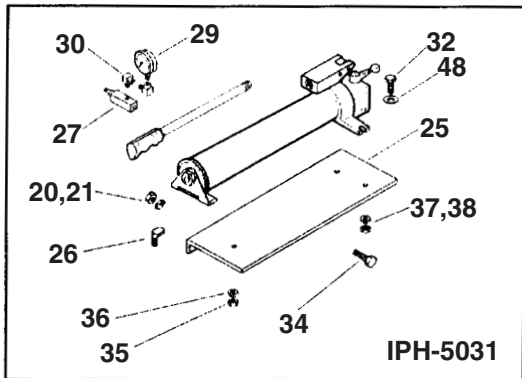
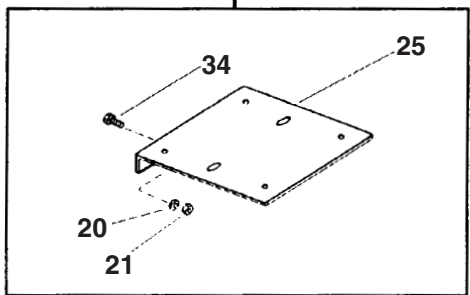
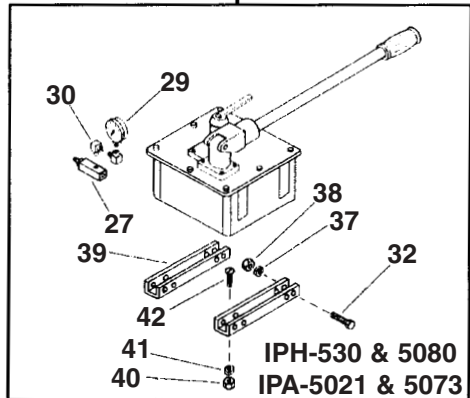
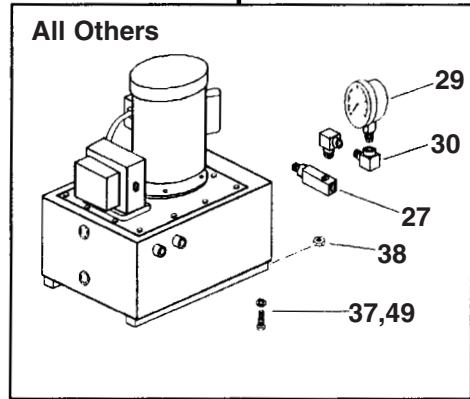
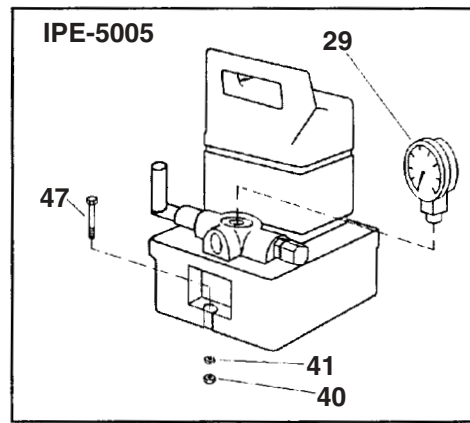
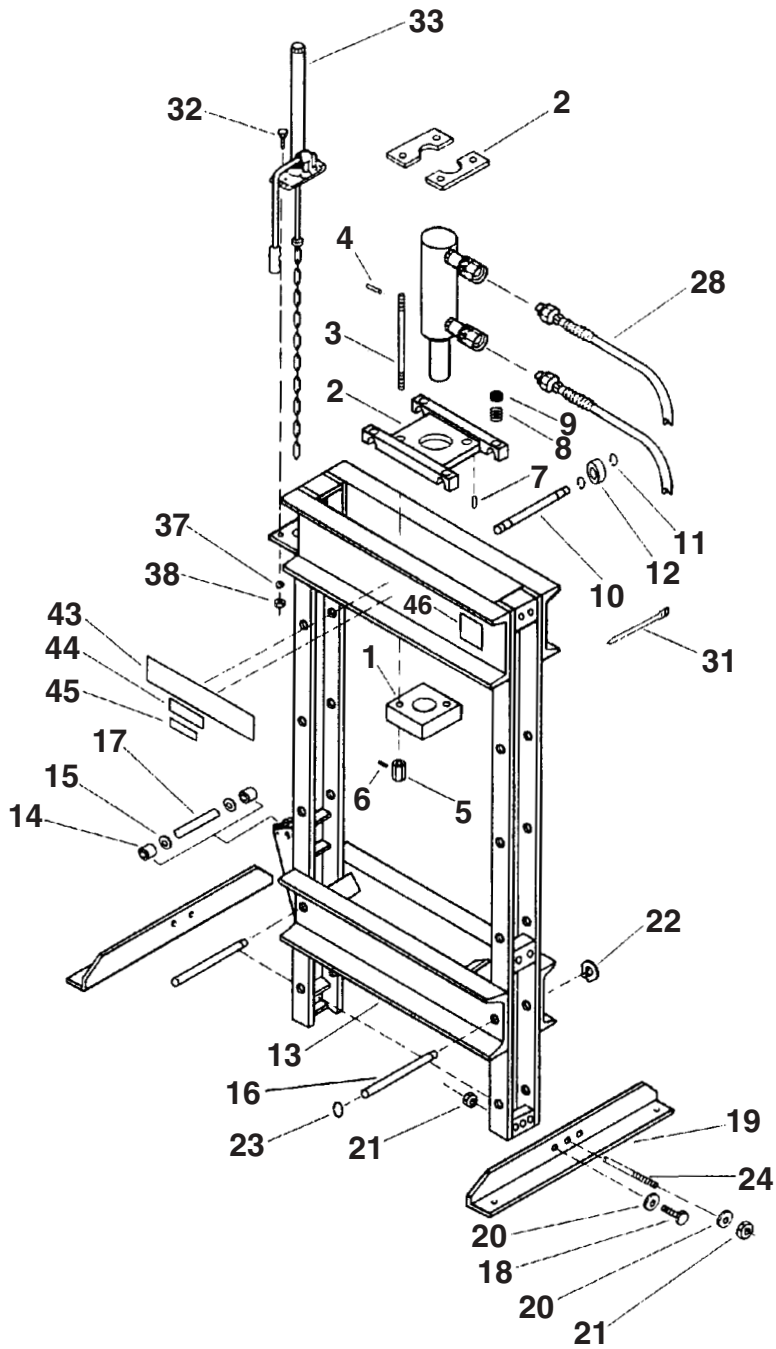


NOTE:

- 1) Install item #7 (pin) so that none of it sticks out of item #6 (piston).
- 2) When filling reservoir, be sure plunger is fully extended.

Parts List for C215900-1 1/2 Ton Jack			
Item	Part Number	Qty.	Description
1	CJ290006	1	Top Cap Plug
2	K515020	1	Top Cap
3	K996025	1	Reservoir
4	★ M761562	1	Back-Up Ring
5	★ B1014503	1	O-Ring
6	C644051	1	Piston
7	CCA819057	1	Spring Pin
8	AJ100074	1	Cylinder
9	F578040	1	Plunger
10	F438005	1	Jack Base
11	B1091057	2	Spring Pin
12	C170055	1	Gland Nut
13	★ B1031562	1	Back-Up Ring
14	★ B1012503	1	O-Ring
15	★ C213167	1	Gasket
16	K584900	1	Pump Assembly
17	B1036046	1	Plug
18	★ AJ100020	1	Gasket
19	DA547062	2	Link
20	C949900W	1	Relief Valve
21	★ S3037	1	Gasket
22	K494061	1	Pin
23	AJ100061	1	Fill Plug
24	★ B159167	1	Gasket
25	★ AJ100040	1	Valve Spring
26	★ B1009016	1	5/16" Ball
27	★ B1006016	1	7/32" Ball
28	DA2508900SR	1	Release Valve
29	★ B1003503	1	O-Ring
30	★ B1001058	2	Cotter Pin
31	AJ100062	1	Beam Pin
32	AJ100063	1	Clevis Pin
33	CL343550	1	Handle Grip
34	DA3232066	1	Chain
35	M276900	1	Handle Assembly
36	CB635026	1	Decal
37	★ DA254037	1	Gasket
38	★ DA255037	1	Gasket

★ Indicates items included in Repair Kit



NOTE: Prior to mounting P-462 pump on the press (Model IPH-2530) remove the "U" bracket from the bottom of the reservoir.

Parts List							
Item No.	Part Number IPE-5005	Qty.	Part Number IPH-5031	Part Number IPH-5030,5080	All Other Part Numbers	Qty.	Description
1	DA4224.11	1	CR3111	CR3111	CR3111	1	Support Block
2	DA4225111	1	CR11900	CR11900	CR11900	1	Bearing Plate
3	CN817149	4	CN817149	CN817149	CN817149	2	Stud
4	-	-	B1062057	B1062057	B1062057	2	Spring Pin
5	CN741550	8	CN741550	CN741550	CN741550	2	Nut
6	-	-	CJ999028	CJ999028	CJ999028	2	Setscrew
7	-	-	B1136057	B1136057	B1136057	2	Roll Pin
8	-	-	CN998110	CN998110	CN998110	4	Spring
9	-	-	A8024027	A8024027	A8024027	4	Lockscrew
10	-	-	CN818104	CN818104	CN818104	2	Axle
11	-	-	CN726044	CN726044	CN726044	8	Retaining Ring
12	-	-	CN752107	CN752107	CN752107	4	Bearing
13	CA726900	1	CA726900	CA726900	CA726900	1	Bolster Assembly
14	CR281281	4	CR281281	CR281281	CR281281	4	Roller
15	CN725044	4	CN725044	CN725044	CN725044	4	Retaining Ring
16	CR243061	2	CR243061	CR243061	CR243061	2	Bolster Pin
17	CR244061	2	CR244061	CR244061	CR244061	2	Roller Pin
18	CH940028	4	CH940028	CH940028	CH940028	4	Bolt 5/8"-11x1 3/4"
19	CA722630	2	CA722630	CA722630	CA722630	2	Leg Angle
20	B1007066	8	B1007066	B1007066	B1007066	8	Lock Washer
21	B1013120	8	B1013120	B1013120	B1013120	8	Hex Nut 5/8"-11
22	CA716044	2	CA716044	CA716044	CA716044	2	Retaining Ring
23	B1129903	2	B1129903	B1129903	B1129903	2	O-Ring
24	CN732149	1	CN732149	CN732149	CN732149	1	Rod Third Leg
25	DA4191111	1	DA2957111	DA2957111	DA2957111	1	Bracket
26	-	-	M259028	-	-	1	Screw 3/8"-16
27	-	-	GA3	GA3	GA3	1	Gauge Adapter
28	HC960	1	HC960	HC960	HC960	2	Hose Assembly
29	GF850	1	GF835	GF835	GF835	1	Gauge
30	-	-	FZ1616	FZ1616	FZ1616	2	Street Elbow
31	CF378017	1	CF378017	CF378017	CF378017	1	Strap
32	CB528046	2	CB528046	CB528046	CB528046	6	Cap Screw 1/4"-20 x 1 1/2"
33	C215900	1	C215900	C215900	C215900	1	Jack Assembly
34	B1201046	2	B1201046	B1201046	B1201046	2	Cap Screw 5/16"-18 x 1 1/2"
35	-	-	B1005120	-	-	1	Hex Nut 3/8"-16
36	-	-	B1003066	-	-	1	Lockwasher 3/8"
37	B1001066	2	B1001066	B1001066	B1001066	6	Lockwasher
38	B1001120	2	B1001120	B1001120	B1001120	6	Nut 1/4"-20
39	-	-	-	DA3541111	-	2	Bracket
40	B1003120	2	-	B1003120	B1003120	4	Hex Nut 5/16"-18
41	B1002066	2	-	B1002066	B1002066	4	Lock Washer
42	-	-	-	CH204028	CH204028	4	Cap Screw 5/16"-18 x 3/4"
43	CL537026	2	CL537026	CL537026	CL537026	2	Die Cut Decal
44	-	-	DA3960026	DA3960026	DA3960026	1	Decal
45	CR200026	2	CR200026	CR200026	CR200026	2	Decal
46	CW355026	2	CW355026	CW355026	CW355026	2	Caution Decal
47	B1047046	2	-	-	-	-	Cap Screw 5/16"-18 x 1 1/2"
48	-	-	B1092108	-	-	2	Flat Washer 5/16"
49	-	-	-	-	B1003046	4	Cap Screw 1/4"-20 x 5/8"

Australia

ENERPAC

Applied Power Australia, Ltd.
P.O. Box 261 Regents Park
Sydney, N.S.W. 2143
Tel: (61) (2) 9743 8988
Fax: (61) (2) 9743 8648

CIS

Applied Power Moscow
Leninsky Prospekt 95A
117313 Moscow, Russia
Tel: (7)(95) 956 5090
Fax: (7)(95) 936 2006

**France, Switzerland,
Turkey, Greece, Africa,
Middle East**

ENERPAC S.A.
B.P.200, Parc d'Activitiés
du Moulin de Massy
1 rue du Saule Trapu,
F-91882 Massy CEDEX
(Paris) France
Tel: (33) 1 60 13 68 68
Fax: (33) 1 69 20 37 50

**Germany, Scandinavia,
Eastern Europe, Austria,**
Switzerland

ENERPAC
Applied Power GmbH
P.O. Box 30 01 13
Mündelheimer Weg 51
40472 Düsseldorf 30
Germany
Tel: (49) (211) 47 14 90
Fax: (49) (211) 4714 940

**Holland, Belgium,
and Luxemburg**

ENERPAC B.V.
P.O. Box 269, Storkstraat 25
3900AG Veenendaal
Holland
Tel: (31) (318) 535911
Fax: (31) (318) 525613

Hong Kong

ENERPAC

Applied Power Asia PTE LTD.
Room No. 907, Workingberg
Commercial Building
41-47 Marble Road,
North Point
Tel: (852) 2561-6285
Fax: (852) 2561-6772

India

ENERPAC

Hydraulics (India) Pvt Ltd.
203 Vardhaman Chambers
Plot #84, Sector 17
Vashi, New Bombay 400 705
Maharashtra, India
Tel: 91-22-7632061
Fax: 91-22-7670309

Italy

ENERPAC

Applied Power Italiana S.p.A.
Via Canova, 4
20094 Corsico (Milano)
Italy
Tel: 39 2 45 82 741
Fax: 39 2 48 60 12 88

Japan

Applied Power Japan LTD

10-17 Sasame Kita-cho
Toda-City
Saitama 335,
Japan
Tel: 81 048 422 2251
Telex: J26275
Fax: 81 048 422 0596

Mexico

ENERPAC

Applied Power Mexico
Av. Principal La Paz #100
Fracc. Industrial La Paz
42092 Pachuca, Hidalgo, Mexico
Tel: (52) 771 33700
Fax: (52) 771 83800

Singapore

Applied Power Asia PTE LTD.

47 Jalan Pemimpin #01-02 &
#01-03 Sin Cheong Building
Singapore 577200
Tel: (65) 258 1677
Fax: (65) 258 2847

South Korea

ENERPAC

Applied Power Korea Ltd.
163-12, Dodang-Dong
Wonmi-ku, Buchun-Shi,
Kyunggi-Do
Republic of Korea
Tel: (82) (32) 675 0836
Fax: (82) (32) 675 3002

Spain, Portugal

ENERPAC

Applied Power International, S.A.
Calle de la Imprenta, 7
Polígono Industrial
28100 Acobendas (Madrid)
Spain
Tel: (34) 1 661 11 25
Fax: (34) 1 661 47 89

United Kingdom, Ireland

ENERPAC Ltd. Unit 3

Colemeadow Road
North Moons Moat
Redditch, Worcester B98 9BP
England
Tel: 44 01527 598 900
Fax: 44 01527 585 500

**United States, Canada,
Latin America and
Caribbean**

ENERPAC

13000 West Silver Spring Drive
Butler, Wisconsin 53007, USA
Tel: (414) 781-6600
1-800-433-2766 (End User)
1-800-558-0530 (Distributor)
Fax: (414) 781-1049

Canada

Tel: 1-800-426-4129 (End User)
Tel: 1-800-426-2284 (Distributor)

Latin America and Caribbean

Tel: (414) 781-6600 ext. 263
Fax: (414) 781-5561



All Enerpac products are guaranteed against defects in workmanship and materials for as long as you own them. Under this guarantee, free repair or replacement will be made to your satisfaction.

For prompt service, contact your Authorized Enerpac Service Center or call toll free:

In U.S.A. 1-800-558-0530

In Canada 1-800-426-2284

PRINTED IN U.S.A.